

ELECTRONICS & Wireless world

MARCH 1986 95p



Computer-aided electronic design

Crystal analysis by computer

Memory telephone dialler

Intelligence in machines

Australia	A\$	3.75
Denmark	DKr	38.00
Germany	Dm	7.50
Greece	Dra	360.00
Netherlands	DFI	9.20
Italy	L	470.0
New Zealand	NZ\$	4.80
Spain	Pts	420.00
Switzerland	SFr	8.00
Singapore	M\$	7.00
USA	\$	4.00

MARCONI INSTRUMENTS

The last word in test instrumentation



2022 10 kHz to 1000 MHz AM/FM Signal Generator

The 2022 is a compact and lightweight Signal Generator, offering frequency, phase and amplitude modulation over the frequency range 10 kHz to 1000 MHz. It is designed for applications in maintenance and servicing, and will also find uses in production and education. Microprocessor control provides simple and rapid operation by direct keyboard entry of settings and the non-volatile memory, which can store up to one hundred settings, further reduces measurement time. Full GPIB programmability adds greater flexibility and faster throughput in systems applications.

£2950.00



2018A & 2019A AM/FM Signal Generators

Signal Generators 2018A and 2019A are high performance synthesised generators with frequency ranges — 80 kHz to 520 MHz and 80 kHz to 1040 MHz respectively. Microprocessor control provides simple and rapid operation by direct keyboard entry of settings and the non-volatile memory, which can store up to one hundred settings, further reduces measurement time. Optional GPIB programmability extends the range of applications to include use in automatic test systems. The excellent overall performance and wide range of facilities provided ensure that the generators have many uses in development, production and maintenance areas and for military applications.

2018A **£4775.00**

2019A **£5125.00**



2955 Radio Communications Test Set

The 2955 Radio combines all the instruments required for transceiver testing from 0.4 MHz to 1000 MHz within a single unit. It is designed for bench and mobile field service applications in maintenance workshops. The instrument is lightweight, portable and may be operated from all standard a.c. supplies or vehicle supplies. Comprehensive facilities are provided for testing all types of AM, FM and Φ M mobile radio equipment, including low-power hand portables and mobiles using selective calling, full duplex radio telephones, base station and repeater equipment. Major users include mobile radio manufacturers, providers of mobile radio telephone networks, service maintenance workshops, commercial and public service organisations, and the military.

£5750.00

through
**ELECTRONIC
BROKERS**
The first name in
test equipment distribution

Electronic Brokers are now distributors for a full range of Marconi Test Instruments

including Signal Generators, Microwave Counters, Power Meters, Modulation Meters, Spectrum Analysers, Radio Communication Test Sets and other general test and

measuring equipment. For further information and a colour brochure please contact our Sales Office.

Electronic Brokers

**Electronic Brokers 140-146 Camden Street, London, NW1 9PB
Tel: 01-267 7070 Telex: 298694 Fax: 01-267 7363**

All prices exclusive of VAT. Prices correct at time of going to press. A copy of our trading conditions is available on request.

CIRCLE 1 FOR FURTHER DETAILS.

ELECTRONICS & Wireless world

over 70 years in independent electronics publishing

CONTENTS

March 1986
Volume 93
Number 1601

FEATURES

Memory telephone dialler by T. Segaran Number storage, last-number redialling and call-progress monitoring.	17	Computer aids in electronic design Computer design tools can assist the designers to produce anything from a simple circuit to a complicated multilayer p.c.b. or an i.c.	35
Level-translating full-wave rectifiers by K. Lewis Using transistors as rectifiers to provide high-impedance output and source/load isolation.	22	Computer-aided metallurgy by L. Paul Goodwin Video processing and computer technology combine to allow automatic analysis of metallic structures.	45
Data-conversion Final listing of a-to-d and d-to-a converters.	25	Synchrodyne a.m. receiver — 2 by J.L. Linsley Hood The r.f. and demodulator stages complete the design.	58
Digital audio editing by John Watkinson Editing equipment for the tapes from which a master tape is made, which in turn is used in the production of a compact-disc.	29	Digital input circuitry using voltage comparators by William E. Barr Versatile alternatives to the Schmitt trigger, with input protection.	64
Human responses to 'intelligent' machines by Tom Ivall A discussion on the interaction of living beings with dead, but cognitively active matter.	33	High-speed buffer/interface by J.F. van der Walle Storing 500 million data words in 16Kbyte of memory.	71

Editor
PHILIP DARRINGTON

Deputy Editor
GEOFFREY SHORTER, B.Sc.
01-661 8639

Technical Editor
MARTIN ECCLES
01-661 8638

Projects Editor
RICHARD LAMBLEY
01-661 3039 or 8637 (lab.)

News Editor
DAVID SCOBIE
01-661 8632

Drawing Office Manager
ROGER GOODMAN
01-661 8690
BETTY PALMER

Advertisement Manager
ASHLEY WALLIS
01-661 3130
MICHAEL DOWNING
01-661 8640

Northern and Midland Sales
BASIL MCGOWAN
021-356 4838

Classified Executive
SUSAN PLATTS
01-661 3033

Advertising Production
BRIAN BANNISTER
(Make up and copy)
01-661 8648

Electronics & Wireless World is published monthly
USPS NO 687-540

Current issue price 95p, back issues (if available) £1.06, at Retail and Trade Counter, Units 1&2, Bankside Industrial Centre, Hopton Street, London SE1. Tel. 01-928 3567.

Available on microfilm; contact editor. By post, current issue £1.30, back issues (if available) £1.40, order and payments to EEP Sundry Sales Dept, Quadrant House, The Quadrant, Sutton, Surrey SM2 5AS. Tel. 01-661 3378.

Editorial & Advertising offices: Quadrant House, The Quadrant, Sutton, Surrey SM2 5AS.

Telephones: Editorial 01-661 3611 Advertising 01-661 3130.

Telex: 892084 BISPRS G (EEP)

Facsimile: 01-661 2071 (Groups II & III)

Beeline (300 baud): 01-661 8978, type EWW to start, NNNN to end. **Subscription rates:** 1 year £18 UK and £23 outside UK.

Student rates: 1 year £11.40 UK and £14.10 outside UK.

Distribution: Quadrant House, The Quadrant, Sutton, Surrey SM2 5AS. Telephone 01-661 3248.

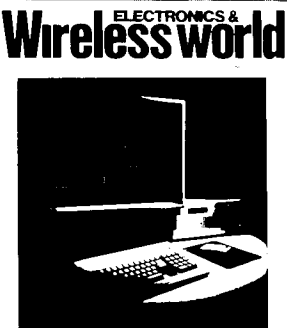
Subscriptions: Oakfield House, Perrymount Road, Haywards Heath, Sussex RH16 3DH. Telephone: 0444 59188. Please notify a change of address. **USA:** \$49.40 surface mail, \$102.60 airmail. Business Press International (USA). Subscriptions Office, 205 E. 42nd Street, NY 10117.

Overseas advertising agents: see back page.

USA mailing agents: Expeditors of the Printed Word Ltd, 515 Madison Avenue, Suite 917, New York, NY 10022, 2nd class postage paid at New York. Postmaster — send address to the above.

©Business Press International Ltd 1986. ISBN 0043 6062

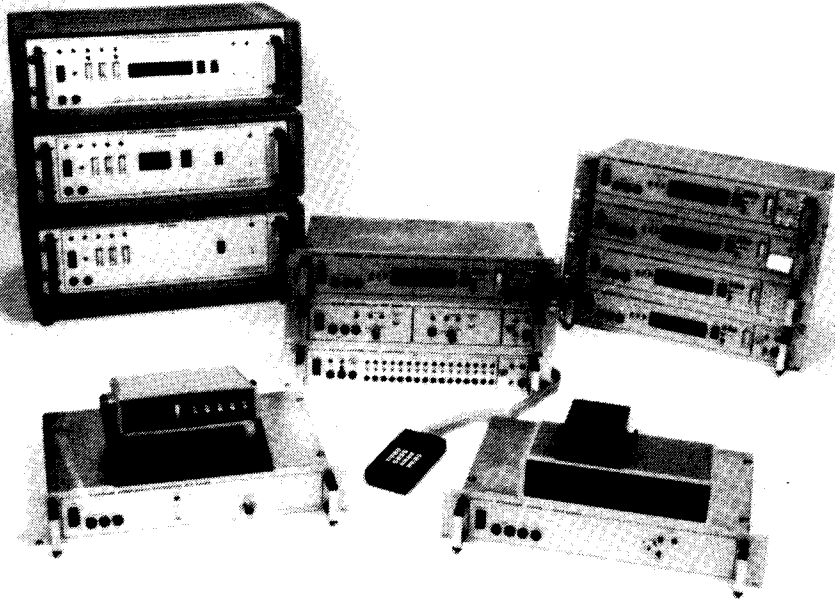
REGULARS

News Acorn's new Beeb. In-car pilot. Alvey's word processor.	6	Switching inductive loads. Faster memory access.	 <p>ELECTRONICS & Wireless world</p> <p>Computer-aided electronic design Crystal analysis by computer Memory telephone dialler Intelligence in machines</p>	
Communications commentary Medical r.f. FCO give up Orfordness. 50kW solid-state. 50MHz opened. Limited e.r.p.?	20	Feedback A question about Q. H.d.tv Renting the spectrum. Stereo hiss.		62
Circuit ideas Electronic irrigation controller.	51	New products C.a.e. and c.a.d. products to accompany the feature on p.35.		77

Cover picture is the Daisy Systems Personal Logician, a c.a.d. system for application-specific i.c.s. Further details in our c.a.d. feature, starting on p.35.

RADIOCODE CLOCKS LTD

SPECIALISTS IN ATOMIC TIME, FREQUENCY AND SYNCHRONISATION EQUIPMENT



NEW PRODUCTS

- **MINIATURE RUBIDIUM OSCILLATOR MODULE**
Lower power, fast warm up, optional output frequencies, programmable frequency offsets.
- **RUBIDIUM FREQUENCY STANDARD**
High performance, compact and rugged instrument. 2U rack or 1/4 ATR case options.
- **INTELLIGENT OFF-AIR FREQUENCY STANDARDS**
Microcomputer controlled instruments, directly traceable to N.P.L., precision ovened local oscillator, comprehensive monitoring and status information, real time synchronisation.
- **LOW COST MSF FREQUENCY STANDARD**
Instant operation, directly traceable to N.P.L., self-contained portable unit, no scheduled frequency changes, 24 hr transmission, real time synchronisation

- Off-air frequency standards
- Intelligent time systems
- Caesium/Rubidium based clocks & oscillators
- Master/slave systems

- Time code generators/readers
- Record/replay systems
- Intelligent display systems
- Precision ovened oscillators
- Time/frequency distribution systems

Radiocode Clocks Ltd*

Unit 19, Parkengue,
Kernick Road Industrial Estate, Penryn,
Falmouth, Cornwall. Tel: Falmouth (0326) 76007

(*A Circuit Services Associate Co.)

CIRCLE 67 FOR FURTHER DETAILS.

TDS 9000

FORTH COMPUTER

Remember that -

- * FORTH is fast
- * It is interactive like BASIC
- * It contains its own compiler
- * You can mix FORTH and assembler code
- * You can comment properly without penalty
- * Names can be left long or shortened
- * TDS900 series computers have a full-screen editor
- * TDS900 series has both N-channel and C-MOS versions
- * TDS902 consumes 25mA and has 62K bytes memory
- * Address and data buses take 6800/6500 peripherals
- * Many systems are just one TDS900 in a box
- * Others may have one extra card for special needs
- * All cards have mounting holes, or use a rack
- * TDS971 offers RS232 and IEEE-488 expansion
- * TDS972 adds RS232, A to D and parallel ports
- * TDS973A gives opto-isolation on 32 input/outputs

FORTH computers start at £99



Triangle Digital Services Ltd
100a Wood Street, London E17 3HX
Telephone 01-520-0442 Telex 262284 (Ref M0775)

CIRCLE 14 FOR FURTHER DETAILS.

SPECIAL OFFERS Prestel Adaptor Model P.1. Complete with remote control keypad. Operating instructions c/w. All electronics. C.P.U. Isolation Transformer. Modem 1200 Bauds Rate. Power supply. U.H.F. Modulator. I.C.'s inc: AY-3-1015D AY-3-9710HK. PIC 1650A. TY 1650z-536. AY-3-9725. New & Boxed. £15.95 c/p 3.00.

6" G/Screen 75Ω Comp: Video Monitors cased. 12 v.d.c. 9½ x 6½ x 4½" tested. £15.95 c/p 3.00.

9" G/Screen 75Ω Comp: Video Monitors cased 240v high res. Tested 10 x 9½ x 9½". £36.00 c/p 5.00.

All-Die cast box 114 x 64 x 30mm £2.00 c/p 50p.

4 x AA N-Cad re-chargeable shrink wrap. Ex-new-equip. £2.00 inc. c/p.

Soft 24v 3.3 Ah rechargeable batts. 7½ x 2½ x 5" sealed alkaline n/boxed. £10.95 c/p 3.00.

P.C. Boards 47 various I.C.'s 1 x 16mhz xtal. 5 x D2764-4 Eproms N/boxed £13.00 c/p.

Kingshill stabilised p.s.u. 0-30A metered 0-60v 240v input. £390.00 + 15% VAT.

Farnell + 5v 10.3a + 12v1a - 12v 1a Switch Mode p.s.u. New 7½ x 4½ x 2½" 240v input c/p £22.50 c/p 2.75.

Farnell fan cooled switch mode p.s.u. + 5v 10a - 5v1a + 12v 3a - 12v1a 240v input £28.00 c/p 2.75.

Gould/Farnell 12v8a Switchmode p.s.u. 240v input £35.00 c/p 2.75.

AC/DC Electronics 24v 4.8a linear p.s.u. 240v input N/boxed. £19.95 c/p 3.50.

Advance 5v 20a switch mode p.s.u. 240v input £14.95 c/p 2.75.

Gould PMA 47 12v 3a Linear p.s.u. 240v input £16.95 c/p 2.75.

Kingshill 30v 25a Linear p.s.u. 240v input £30.00 c/p 9.50.

Farnell Switch Mode p.s.u. 145 x 87 x 32 6v 5a 240v input. £20.00 c/p 2.25.

Gould Multi-Rail switch mode p.s.u. 5v 40a-124a + 15v 11a £55.00 c/p 3.50 240v input.

25 gram tube silicon grease. £1.25 inc c/p min 2 tubes.

Bulgin 240v 3a Keyswitch £1.20.

Capacitor Packs 100 caps per pack. £1.00 c/p 25p.

Painton rotary switches 2p 15 way. £2.50 c/p 50p.

Cetronic Ltd 3000c Line Conditioner 50Hz input frequency. 240v - 12% + 10% 192-264v or 220v + 20% 192-264v output volts 240v ± 1% 12.5a max load. £250.00 + 15% higher rating ava.

Solartron Schlumberger 1510 Spectrum Analyzer. 1Hz 25 kHz.

Marconi TF 2671 digital multimeter £60.00 c/p 5.00.

Advance TC9a 35mHz Frequency Counter/Timer. £75.00 c/p 5.00.

Keppo Operational p.s.u. 0-2000v 0-10 m/a. Type Ops 2000. £120.00.

Polyroid Spectrum analyzer 10-63,680mc £430.00

Tektronix O'scope 454 150mHz D/trace £525.00 plus 15% VAT.

Tektronix plug in type 067/0521/01 calibration fixture £75.00 15% VAT.

Tektronix plug in type 53/54d high gain calibrated Pre-amp. £25.00.

Riply 230v prim: 12.5/0/12.5 750ma. 7/0/7 1a. £2.95 c/p 50p transformers.

RS 6va 230v prim: 0/20/0/20v = va max per winding £3.25 c/p 60p.

RS 20va 230v prim: 0/6/0/6V £4.50 c/p 50p.

230v prim: 9/0/9v 1a £1.95 c/p 50p.

230v prim: 0/12v/0/24v £2.95 c/p 50p.

230v to 115v Auto 500w £23.95 c/p 3.00.

230v Prim: 16/0/16 2.5a per winding £9.00 c/p 2.00.

230v Prim: 20/22v 2a. £5.50 c/p 50p.

12-0-12 2a per winding 230v Prim: £2.50 c/p 1.00.

240v to 240v 10a Isolation Transformer £60.00 c/p 5.50.

Portable Isolating Transformer 240v Input 115v output. 3a cont: 5.5 intermittent £25.00 c/p 6.75 higher ratings ava.

Data Recording Fan cooled Linear p.s.u. + 15v - 15v 8a per output. 240v/115v input New & Boxed. £40.00 c/p 4.50.

Woden 240v Prim: 11v 80 amp Transformer £35.00 c/p 6.00.

Universal Coupling Arms ideal for robotics 4" closed app: £2.00 c/p 25p.

High Power Aluminium heat sink typical thermal res: 2.5 c/w 6ft. length £25.00 or £5.00 per ft. cut.

Hewlett Packard 6824a D.C. p.s.u. amp ± 50 1a £100.00.

1 Megabyte general purpose Random Access Memory. New & Boxed. £100.00.

Hewlett Packard 180a O'scope with 1801a D/channel vertical amp 50mhz, 1821a time base and delay generator £550.00 NC manual etc.

Solartron A100 O'scope with A101 30mhz amp A112 D/Timebase unit £150.00 inc manual etc

FIELD ELECTRIC LTD.

3 Shenley Road, Borehamwood, Herts.
01-953 6009

Official Orders/Overseas Enquires Welcome.
Open 6 Days 9am/5pm. Thur. 9am/1.00pm



Credit Card Telephone Orders Accepted



ALL PRICES INC 15% VAT Unless stated please ring for c/p details not shown.

COUNTERS & OSCILLATORS

LEVELL COUNTERS MET100/600/1000 £99/126/175
8 digit 0.5" LED display. 5Hz to 100/600/1000MHz. Resolves 0.1Hz. Sensitivity 5mV up to 10MHz. Low pass filter. Mains/rechargeable battery powered.

LEVELL FUNCTION GENERATORS TG302/3 £156/236
0.02Hz-2MHz in 7 ranges. Sine, square, triangle, pulse and ramp 20mV to 20Vpp from 50Ω. DC offset 0±10V. TTL output. TG303 also has a CMOS output and 6 digit 10MHz counter with INT/EXT switch.

LEVELL RC OSCILLATORS TG152D/DM £95/120
3Hz-300kHz. 5 ranges, acc 2% + 0.1Hz up to 100kHz, 3% at 300kHz. Sine or square <200μV to 2.5Vrms. Distn. <0.2% 50Hz-50kHz. DM has an output meter.

LEVELL RC OSCILLATORS TG200D/DMP £130/165
1Hz-1MHz. 12 ranges, acc 1.5% + 0.01Hz to 100kHz, 2% at 1MHz. Sine or square outputs <200μV-7Vrms. Distortion <0.05% 50Hz-15kHz. Sync output >1V. DMP has output meter and fine frequency control.

LEVELL DECADE OSCILLATOR TG66A £330
0.2Hz-1.22MHz. 5 ranges. 4 digits, acc 0.3% 6Hz-100kHz. Sine output <30μV-5Vrms. 2dB/4dB and V scales. Distn.<0.15% 15Hz-150kHz. Mains/battery.

ANALOGUE METERS

LEVELL AC MICROVOLTMETERS TM3A/B £150/170
16 ranges 1μVfs/500Vfs, accuracy 1% + 1%fs + 1μV. 20dB/4dB scale. ±3dB 1Hz-3MHz. 150mVfs output. TM3A: 83mm scale. TM3B: 123mm scale and LF filter.

LEVELL BROADBAND VOLTMETERS TM6A/B £235/265
16 LF ranges as TM3A/B + 8 HF ranges 1mVfs/3Vfs, accuracy 4% + 1%fs at 30MHz. ±3dB 300kHz-400MHz.

LEVELL DC MICROVOLTMETER TM8 £130
23 linear ranges ±3μV±300V and ±3pA±300nA plus 2 log ranges for nulling. Output ±300mV at fs.

LEVELL DC MULTIMETERS TM9A/BP £199/235
18 voltage ranges 3μV-1kVfs. Current ranges 3pA to 1A (TM9A 1mA). Linear R ranges 3Ω to 1GΩ.

LEVELL MULTITESTER TM11 £175
50μV/500Vfs ac, 50pA/500mAfs ac, 150μV/500Vfs dc, 150pA/500mAfs dc, 0.2Ω to 100GΩ, lin/log null. Diode/LED test. Optional RF, HV and Temperature.

LEVELL TRANSISTOR TESTER TM12 £195
Transistor, diode and zener leakage to 0.5nA at 2V-150V. Breakdown to 100V at 10μA, 100μA, 1mA. Gain at 1μA-100mA. Vsat and Vbe at 1mA-100mA.

LEVELL INSULATION TESTER TM14 £210
Log scale covers 6 decades 10MΩ-10TΩ at 250V, 500V, 750V, 1kV; 1M-1TΩ at 25V-100V; 10k-100GΩ at 2.5V-10V; 10k-10GΩ at 1V. Current 100pA-100μA.

DIGITAL METERS

LEVELL DIGITAL THERMOMETER DT1K £44
120°C/+820°C, acc 0.2%±1°C. 3 digit 8.5mm LCD. A standard Type K thermocouple socket is fitted. Bead couple is supplied. Battery life >3000 hrs.

THURLBY DIGITAL CAPACITANCE METER CM200 £89
1pF to 2500μF, acc 0.2%. 4 1/2 digit 9mm LCD. Fast settling. 3 readings per second. Mains/battery.

THURLBY DMMs 1503/1503HA/1504 £169/185/199
4 1/2 digit LCD. Up to 1.2kVdc, 750Vac, 10A, 32MΩ, 4MHz. Resoln. 10μV, 10nA, 10mΩ. Mains battery. 1503: dcV 0.05%. 1503HA: 0.03%. 1504: True rms ac.

THURLBY INTELLIGENT MULTIMETER 1905a £349
5 1/2 digit LED. Up to 1.1kVdc, 750Vac, 5A, 21MΩ. Resoln. 1μV, 1nA, 1mΩ. dcV 0.015%. Computing and storage functions. RS232C/IEEE interface options.

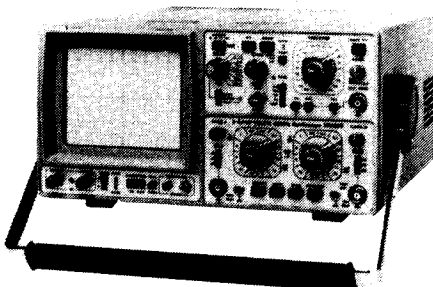
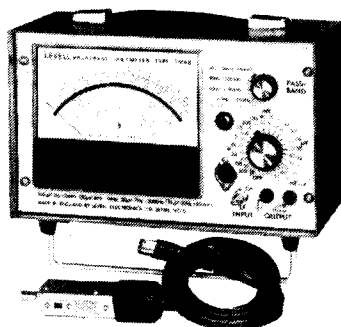
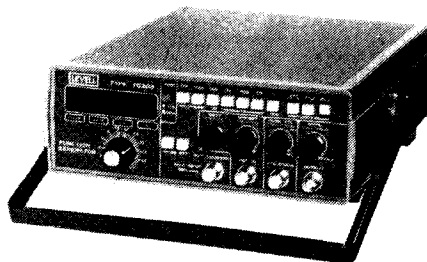
FREE DELIVERY IN UK. VAT EXTRA. QUANTITY DISCOUNTS AVAILABLE.

LEVELL ELECTRONICS LTD.

**Moxon Street, Barnet, Herts., EN5 5SD, England
Telephone: 01-440 8686 & 01-449 5028**

LEVELL

for INSTRUMENTS



LOGIC ANALYSERS

THURLBY LOGIC ANALYSERS LA160A/B £395/495
16 data channels. Clock DC-10MHz (20MHz for B). Binary, octal, decimal, or hex. formats. 2K word acquisition memory. Non volatile ref. memory.

BENCH POWER SUPPLIES

THURLBY SINGLES PL154/310/320 £159/125/155
LED digital displays with resolution 10mV, 1mA. <0.01% change for 50% load change. Remote sense. 154: 0-15V 0-4A. 310: 0-30V 0-1A. 320: 0-30V 0-2A.

THURLBY DUALS PL310QMD/320QMD £269/339
Two 0-30V 0-1A (2A on 320) with isolated, series tracking, series or parallel modes of operation.

THURLBY TRIPLES PL310K/320K £275/345
310K: 0-30V at 0-1A, 0-30V at 1/2A & 4V-6V at 3 1/2A. 320K: 0-30V at 0-2A, 0-30V at 1A & 4V-6V at 7A.

OSCILLOSCOPES

CROTECH SINGLE TRACE 20MHz 3031/36 £195/216
2mV-10V/div. 40ns-0.2s/div. Component tester. 3031: CRT 1.5kV 5x7cm. 3036: CRT 2kV 8x10cm.

CROTECH DUAL TRACE 20MHz (@2mV) 3132 £285
2mV-10V/cm. Ch1±Ch2. X-Y mode. Cal 0.2V 1kHz sq. 40ns-0.2s/cm. Auto, normal or TV trig. Component comparator. DC outputs. Z input. CRT 2kV 8x10cm.

CROTECH DUAL TRACE 30MHz (@5mV) 3337/39 £425/570
5mV-50V/cm. Ch1±Ch2. Signal delay. X-Y mode. 40ns-1s/cm. Auto, normal or single shot trigger. Cal 0.2V 1kHz square. Z input. CRT 10kV 8x10cm. 3339: VDU mode. Component tester. DC outputs.

HAMEG DUAL TRACE 20MHz (@2mV) HM203-5 £270
2mV-20V/cm. Ch2±Ch1. X-Y. Cal 0.2V/2V 1kHz sq. 20ns-0.2s/cm. Auto, normal or TV trig. Component test. CRT 2kV 8x10cm. Long decay CRT £25 extra.

HAMEG DUAL TRACE 20MHz (@5mV) HM204-2 £365
1mV-50V/cm. Ch2±Ch1. Sig delay. X-Y mode. Y out. 10ns-1.25s/cm. Sweep delay 100ns-1s. Cal 0.2V/2V 1kHz/1MHz. Z input. Comp. test. CRT 2kV 8x10cm.

HAMEG DUAL TRACE 60MHz (@5mV) HM605 £515
1mV-50V/cm. Ch2±Ch1. Sig delay. X-Y mode. Y out. 5ns-2.5s/cm. Sweep delay 100ns-1s. Cal 0.2V/2V 1kHz/1MHz. Z input. Comp. test. CRT 14kV 8x10cm.

HAMEG DIGITAL STORAGE 20MHz HM208 £1300
1mV-50V/cm. Ch2±Ch1. Single shot and X-Y modes. 20ns-0.25s/cm. 20MHz sampling. Two 2K memories. Plotter output 0.1V/cm, 10s/cm. CRT 14kV 8x10cm.

HITACHI BATTERY DUAL 20MHz (@5mV) V209 £680
1mV-12V/div. Ch1±Ch2. X-Y mode. Cal 0.5V 1kHz. 50ns-0.5s/cm. Auto, normal or TV trig. Internal rechargeable batt. or mains. CRT 1.5kV 5x6.3cm.

HITACHI DUAL 20MHz V212/22/23 £299/395/450
1mV-12V/cm. 20MHz@5mV. Ch1±Ch2. X-Y. Ch1 output. 100ns-0.5s/cm. Auto, normal or TV trigger. Cal 0.5V 1kHz square. Z input. CRT 2kV 8x10cm. V222/V223: DC offset and alternate magnify. V223 : Sweep delay 1μs-100ms.

HITACHI DUAL 40MHz (@5mV) V422/23 £580/650
As V222/V223 but 40MHz, 20ns/cm and 12kV on CRT.

HITACHI QUAD 100MHz (@5mV) V1050F £1095
Ch1/Ch2: 0.5mV-12V/cm. Trigger Ch3/Ch4: 0.2V/cm. Dual time bases 2ns-0.5s/cm and 2ns-50ms/cm. Signal and sweep delay. CRT 20kV 8x10cm.

HITACHI QUAD 100MHz V1070/1100A £1580/2390
Ch1/Ch2: 1mV-12V/cm. CH3/Ch4: 0.1V-0.5V/cm. Dual time bases 2ns-0.5s/cm and 2ns-50ms/cm. Digital display of set values. CRT 18kV 8x10cm. V1100A: Digital display of ACV, DCV, frequency.

HITACHI DIGITAL STORAGE 10MHz VC6015 £1350
5mV-12V/cm. Ch1±Ch2. Single shot and X-Y modes. 100ns-0.5s/cm. 1MHz sampling. Two 1K memories. Plotter output 1V/cm, 5-10s/cm. CRT 2kV 8x10cm.

HITACHI DIGITAL STORAGE 40MHz VC6041 £3850
1mV-12V/cm. Ch1±Ch2. Single shot and X-Y modes. 20ns-0.5s/cm. 40MHz sampling. Two 4K memories. Plotter output 1V/cm, 2-10s/cm. CRT 12kV 8x10cm.

THURLBY 8 CHANNEL MULTIPLEXER OM358 £179
Increases any oscilloscope to 8 channels. Choice of trigger from any channel. Response DC-35MHz.

LEVELL DECADE BOXES

C410	: 10pF to 111, 110pF, acc 1%±2pF	£45
R401 (410)	: 4 decades. 1(10)Ω steps, acc 1%	£45
R601 (610)	: 6 decades. 1(10)Ω steps, acc 1%	£58
R601S	: 6 decades. 1Ω steps, acc 0.3%	£69
R701	: 7 decades. 1Ω steps, acc 1%	£66

CIRCLE 55 FOR FURTHER DETAILS.

DISK FORMAT COPYING SYSTEMS

A full range of systems available to copy between different computer formats. Select the system that YOU require from our modular range.

FEATURES:

Easy, user friendly commands
 In-built library functions
 Full support of bad side select (BBC)
 After sales updating service
 Over 100 disk formats supplied

On-line help facilities
 Interrogation/examination routines
 On screen editing of data
 Format any disk in the library

Support for many different disk drives and types.

COMPATIBLE WITH:

IBM PC DOS, MSDOS, TORCH/BBC CP/N, CP/M 80, CP/M PLUS, CP/M 86, MP/M, MP/M 86, CONCURRENT CP/M, CONCURRENT PC DOS, DEC TR11, TURBODOS and many others.

Software available separately for most MAP80, NASCOM and GEMINI Computers.

ACCESS and BARCLAYCARD ACCEPTED. CALLERS WELCOME BY APPOINTMENT. RING FOR FURTHER INFORMATION.

CONTACT:

For further information contact:



MAP 80 Systems Ltd
 Unit 2 Stoneylands Road, Egham, Surrey
 Tel: 0784 37674



CIRCLE 22 FOR FURTHER DETAILS.

USED TEST EQUIPMENT & COMPUTER PRODUCTS

- ★ Fully guaranteed
- ★ Performance to original specification
- ★ Wide range of instruments & computer products

From **CARSTON**

01 943 4477
 Ring for latest stock information



99, Waldegrave Road, Teddington, Middlesex TW11 8LL.
ELECTRONICS LTD. Telephone 01-943 4477. Telex 23920 (Euhire)
 Used test equipment and computer specialist

CIRCLE 75 FOR FURTHER DETAILS.

KESTREL ELECTRONIC COMPONENTS LTD.

- * All items guaranteed to manufacturers spec.
- * Many other items available.
- * Exclusive of V.A.T. and Post and Package

74LS00	1+	50+	74LS273	.46	.42	2732A	1+	50+
74LS04	.13	.12	74LS373	.43	.45	7816	£2.20	1.90
74LS08	.15	.13	74LS374	.48	.45	27C64	2.10	1.90
74LS14	.19	.17	74LS393	.65	.45	2764-250	4.50	3.80
74LS23	.28	.26	74LS541	.45	.35	27128-250	1.80	1.60
74LS25	.27	.25	8155	1.50	1.30	27256	2.50	2.00
74LS138	.30	.25	8251	1.50	1.30	6116LP-3	4.20	3.60
74LS139	.30	.25	8253	1.50	1.30	6284LP-3	1.50	1.25
74LS157	.27	.24	8255	1.50	1.30	4164-15	2.40	2.20
74LS161	.35	.32	6810	1.30	1.10	41256-15	1.00	0.80
74LS174	.40	.35	6821	1.40	1.25	Z80ACPU	2.90	2.60
74LS140	.50	.42	6850	1.50	1.25	Z80ACTC	1.40	1.00
74LS244	.48	.45	4 neg Xtels	.70	.55	Z80AP10	1.99	1.70
74LS245	.50	.43	6 neg Xtels	.70	.55	Z80ADMA	2.50	2.20
							3.00	2.60

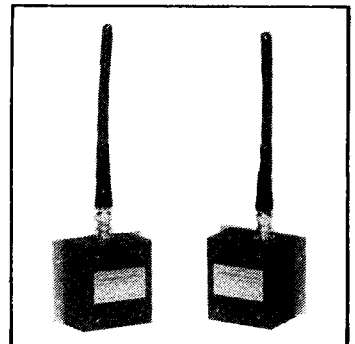
All memory prices are fluctuating daily, please phone to confirm prices.

178 Brighton Road,
 Purley, Surrey CR2 4HA
 Tel: 01-688 7522

CIRCLE 37 FOR FURTHER DETAILS.

173MHz FM TELEMETRY RADIO LINK

- Range up to 100 metres
- Modular, Wall Mounting Transmitter + Receiver
- Direct Baseband Inputs + Outputs (3kHz B/W)
- Approved to MPT1309
- Each Module 86x104x45mm + requires only 30mA dc at 7.2V
- Selective Baseband signalling by 'add on' modules now available.

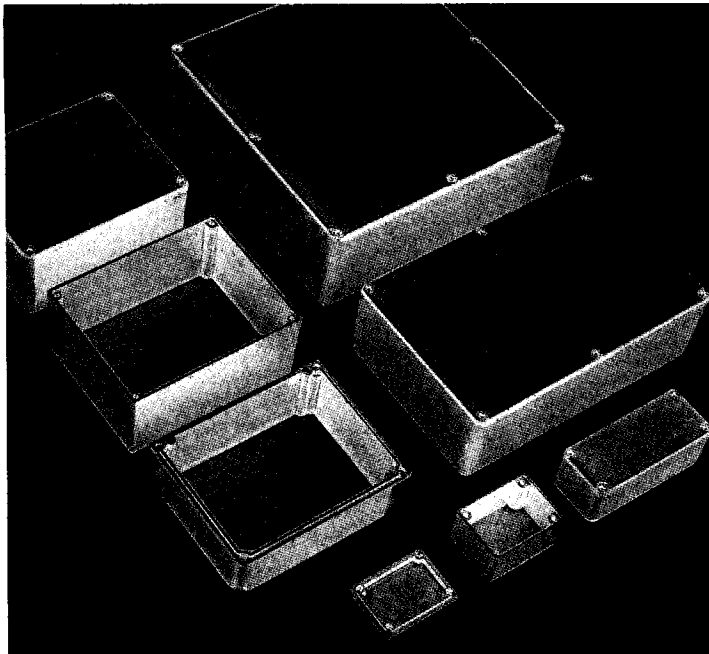


ADENMORE LTD

27 Longshot Estate, Bracknell, Berks. RG12 1RL Tel: 0344 52023

CIRCLE 23 FOR FURTHER DETAILS.

imhof EXPRESS



Imhof-Express gives you a 24-hour delivery of the most comprehensive range of small diecast boxes available anywhere.

They are ideal for the hobbyist who wants strong metal boxes with good screening properties.

To order you simply phone your Access or Visa card number and the goods will be despatched within 24 hours.

For details on these and all our many other products, ask for our latest catalogue.

Imhof Express

Riverside Way, Uxbridge
Middlesex UB8 2YX

☎ (0895) 72247/8/9 and 72261/2/3/4



0895 72247

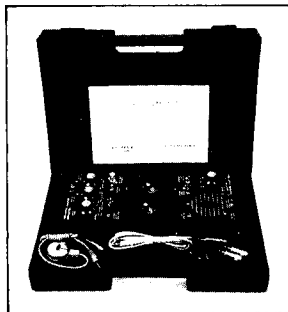
CIRCLE 39 FOR FURTHER DETAILS.

FIBRE-OPTICS MONITOR

Test Equipment for
MULTIMODE FIBRES, including
50µm GRADED INDEX.

SMA and STRATOS
Connector Options.

Examples of Applications:
ATTENUATION MEASUREMENTS
VOICE COMMUNICATIONS
CONTINUITY TESTING

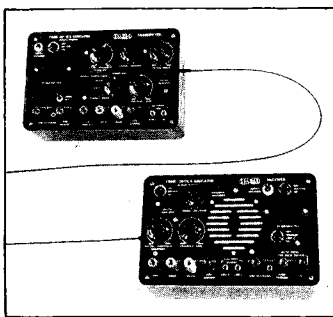


FIBRE-OPTICS EDUCATOR

Training Equipment for use in
Industry, Technical Colleges,
Polytechnics and Universities.

*Applications and
Demonstrations include:*
ANALOGUE and DIGITAL
Transmission over FREE-SPACE
and OPTICAL FIBRES,
ATTENUATION MEASUREMENT
TECHNIQUES,
Showing Properties of VISIBLE
and INFRA-RED RADIATION

Designed and Manufactured in the UK

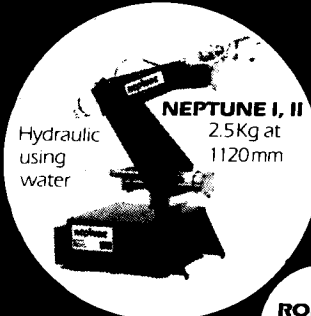


Comes Complete with
Accessories and Case


For Further Details Contact:
Ellmax Electronics Ltd.
Unit 29, Leyton Business Centre,
Etloe Road, Leyton,
London, E10 7BT, England
Tel: 01-539 0136



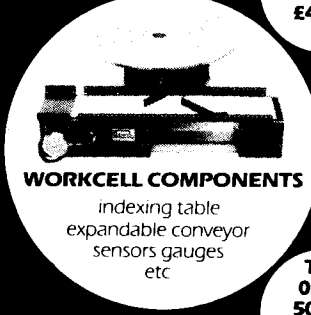
CIRCLE 80 FOR FURTHER DETAILS.



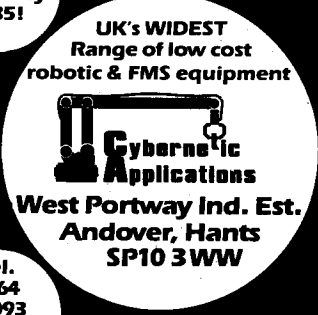
NEPTUNE I, II
2.5Kg at
1120mm
Hydraulic
using
water



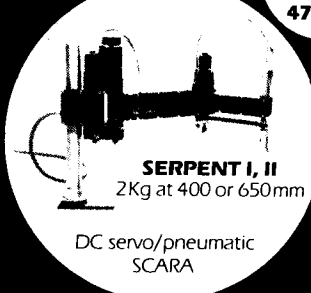
MENTOR
1 Kg at
420mm
DC servos



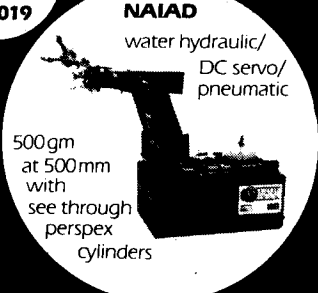
WORKCELL COMPONENTS
indexing table
expandable conveyor
sensors gauges
etc



**UK's WIDEST
Range of low cost
robotic & FMS equipment**
**Cybernetic
Applications**
West Portway Ind. Est.
Andover, Hants
SP10 3WW



SERPENT I, II
2Kg at 400 or 650mm
DC servo/pneumatic
SCARA



NAIAD
water hydraulic/
DC servo/
pneumatic
500gm
at 500mm
with
see through
perspex
cylinders

Tel. 0264 50093
Telex 477019

CIRCLE 31 FOR FURTHER DETAILS.

Acorn's new Beeb

Acorn Computers have at last announced the latest version of the BBC Micro, called the Master series. Over the years since the Model B was launched, there have been a number of additions both from Acorn and from third party manufacturers; extra memory, better disc interfaces, rom expansions, word processors, graphics extensions, second processors and so on.

The new series incorporates many of these upgrades in the basic model, the Master 128 which is still recognisable as being an enhanced Model B.

Master 128

Externally it is wider to accommodate an extra numerical keypad and the top cover has been made deeper to allow space for plug-in expansions.

Internally it has a lot more memory: 128K of ram which is divided between main ram and paged 'sideways' ram. It also has 128K of rom in one i.c. nicknamed the Megarom. This contains the operating system which has been enhanced to include extended graphics facilities and terminal software: BBC Basic (version 4) which includes extra commands to take advantage of the other enhancements; an Edit rom which is used as a Basic program and text editor, the View wordprocessor and Viewsheet spreadsheet program and two disc filing systems. The DFS ensures some compatibility with software developed on the Model B; and the ADFS which is a double-density system with, at last, an unlimited number of files. To make this possible Acorn have devised an hierarchical system with file directories nested within files.

There is space for four additional roms inside the computer and it is possible to have three other 128K roms or even two 256Kbyte roms. This has limited application because such monster roms have to be programmed and be made available. However there are also two external cartridge rom sockets which offer the 1MHz

bus of the Model B, uprated to 2MHz. Through these not only can rom firmware be plugged in but also sound input/output with such peripherals as the Music 500, and, for example, a video genlock. Each cartridge socket has a capacity of 256Kbyte.

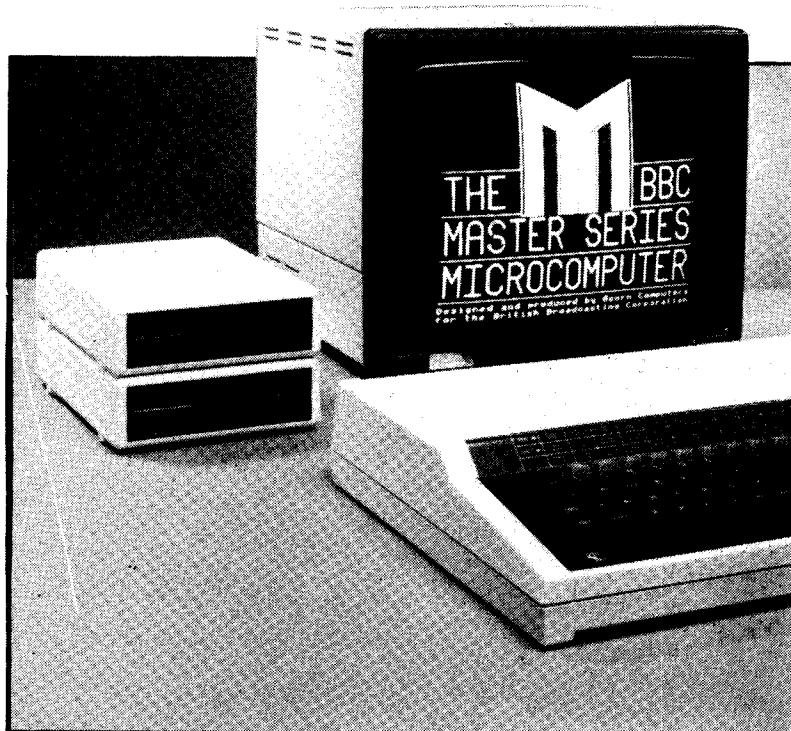
Another addition is the provision of a battery-backed real-time clock and some ram which is reserved for the start-up options so that the computer will automatically switch itself into the wordprocessor mode, for example, if needed.

The display modes are similar to those of the Model B, though the additional ram means that 'shadow' modes do not take any ram from the user. Similarly there is no extra ram required for the filing systems. The rest of the specification duplicates the facilities of the Model B: The same video outputs are provided; modulated u.h.f, composite video and RGB. It uses the same sound chip and internal loudspeaker though an audio socket has been added to drive an external loudspeaker or amplifier. Also duplicated are the user port, the 1MHz bus, the Tube for connecting external second processors, analogue input and cassette interface. Software is provided on a "Welcome" disc and tape which includes a suite of demonstration programs, assorted utilities including disc filing system utilities and Basic 128 - BBC Basic for use in sideways ram. The package is completed with a Welcome manual and reference cards for the firmware utilities. The Master 128 costs £499.

One feature we have omitted is the internal Tube bus and socket which enables the plugging in of additional processors and memory. These permit the expansion of the system and the expanded versions are also available as computers in their own right. There is no difference in price between buying the 128 and upgrading it or buying the enhanced versions of the computer.

Turbo

The first expansion adds to the 128 an additional 64C102



processor with a clock frequency of 4MHz, along with 64Kbyte of ram and 4Kbyte of rom, and a disc with a version of Basic for use with the system. It is designed for high-speed processing and is claimed to be faster than any other microcomputer for interpreted Basic. Turbo costs an additional £125.

Master 512

This adds a 16-bit 80186 processor, running at 8MHz and 512Kbyte of ram; up to 128K of rom. This is provided with Digital Research's DOS-plus which makes it compatible with MS-DOS and CP/M 86 and

opens up a wide field of applications software. MS-DOS being almost identical to PC-DOS enables some software written from the IBM-PC to be used. Also provided on disc is DR's GEM suite of utilities: GEM Desk Top, GEM Paint and GEM Write. The price of this addition is yet to be announced but is likely to be about £500, making the combined computer cost £1000.

Master Scientific

This adds the facilities of the Acorn Cambridge Workstation: 32-bit 32016 processor and a floating-point 32081 co-processor; 512K ram, 16K rom

Poor job prospects

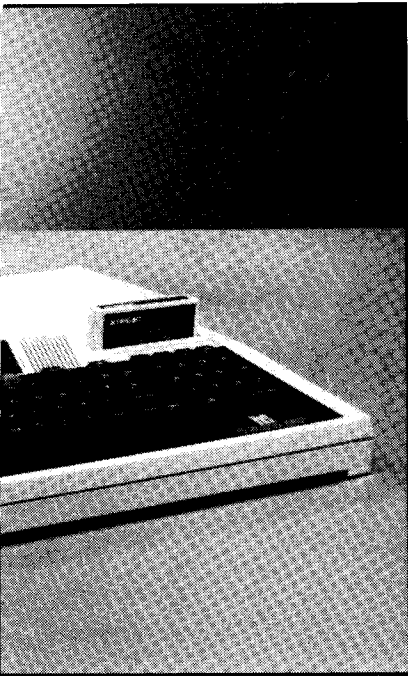
Job prospects in the electronics engineering field are poor for at least the first quarter of this year. Statistics have come from Manpower Ltd, who specialize in such surveys.

The decline in confidence now being shown by electronics manufacturers reflects the decline in confidence in all sectors of employment, according to Manpower. Their survey points out that this is the first time in five years that New-year prospects in Britain have failed to show an improvement over the previous year.

Fewer employers in electronics manufacturing are

planning to increase their workforce and projected job cuts are higher than in the last quarter of 1985. The relative decline in job prospects in electronics is shown clearly by the 'balance' or difference between the proportion of employers increasing their staff and those cutting jobs. The balance now stands at +9, only barely positive, in contrast with +24 last quarter.

Manpower claims these results confirm its forecasts made in three prior surveys during 1985, that job prospects in Britain will increasingly "flatten" over the next 12 months. ■



plus the Acorn Pandora operating system core. On the accompanying disc comes the Panos operating system, Fortran 77, ISO Pascal, C, BBC Basic, the 32000 series macro-assembler and support software for the programming languages.

There is also a whole library of supporting manuals and operating guides. All for an extra £1500 (still to be officially announced) giving a total price of £2000.

Econet terminal

Acorn have not neglected their educational customers many of whom run networked Model Bs. The Master Econet Terminal leaves out some of the facilities of the Master 128 as these can be made available through the network. It uses the same processor and has the same quantity of ram as the 128. The rom is 64K and contains the operating system, BBC Basic, and in place of a disc filing system an advanced network filing system (ANFS).

This cut-down version of the Master series cost the same price as the old Model B; £399.

Acorns seems to have got its sums right this time. The BBC micro has established itself as a standard over the years but was beginning to look a little tired in contrast to some newer computers, many of whom tried to emulate the facilities on the BBC. This injection of new technology can revive its reputation. ■

Anglo-French super computer

The Esprit programme in Europe is helping the funding of a modular parallel-processing super-computer that will be capable of 500 million floating-point operations per second (megaflops) and yet will cost less than a tenth of a current computer with equivalent power.

The main contractor of the project is the Royal Signals and Radar Establishment, Malvern who will be working in collaboration with French companies: Telmat, Apsis and the Laboratoire de Genie Informatique; and in the UK

with Southampton University and Thorn-EMI Inmos.

The modular computer will be constructed around 'nodes' with each node typically consisting of 16 floating-point transputers connected by a programmable switching network. The interconnection strategy will allow a variety of architecture types to be implemented: thus the machine could be re-configured for a wide range of applications. During the programme, high-level programming languages will be developed, together with diagnostic and support software, to allow both

hardware and software debugging. Application software is to be developed for use in science and engineering, signal and image processing, image synthesis, computer-aided design and computer-aided management.

It is intended to demonstrate that the configurable super-node architecture can serve both as a powerful single-user workstation and, because of the expandability of the system, as the basis of a very large array of replicated nodes suitable for the most demanding of computer applications. ■

Euro-deal on ASICs

A "memorandum of understanding" has been signed by GEC and Thomson for the joint development of design and manufacturing tools for c-mos application-specific integrated circuits.

[Application-specific i.c. is, we feel, a much better description of the chips that up to now have been known as semi-custom i.cs. These are chips which are half-completed and need their individual cells to be wired up by a layer of interconnecting metal to define their function and purpose.]

GEC, through Marconi Electronic Devices and Thomson, have agreed to develop a prototyping service which will improve and enhance the European a.s.i.c. capability; serve the rapidly increasing market for such circuits, particularly in data processing and telecommunications; and establish dual sources in Europe for such high-performance devices in 1.2µm, and later 0.8µm geometries.

The initial objective will be to establish a two-layer metal E-beam facility, leading to three layers by the end of the programme. A parallel objective is to further develop and combine the Macrocell design capabilities of the two companies. These cells are used as building blocks in the design of a.s.i.cs. These are to be combined into a family of

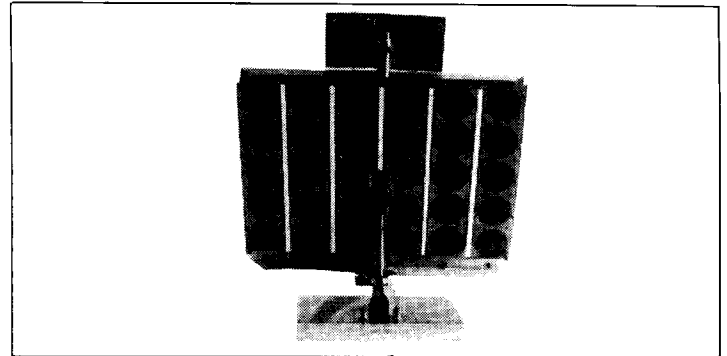
semi-standard programmable building blocks or megachips. Design will be fully supported by c.a.d. tools available from both companies which are to be interchanged so that all the facilities are available from both.

The medium-term objective is to use silicon compilation extensively to develop fast manufacturing techniques for full wafer production. Particular emphasis will be placed on ease of use for compilers which will allow the

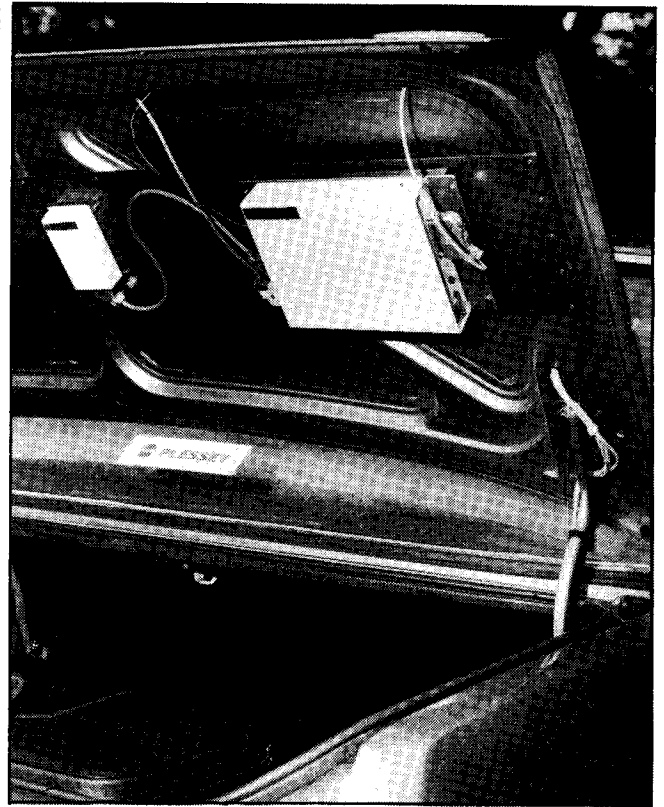
automatic compilation of megacells from behavioural descriptions. The system will also manage interconnection layout and test sequence definition of the circuit and interfaces with testers for E-beam debugging.

The program has been submitted to Eureka for partial funding. Other joint initiatives, including power semiconductors, are planned.

For further details of similar equipment see the c.a.d. feature in these pages. ■



This solar array automatically adjusts its position to gain the maximum power from the sun. It is fitted with two extra solar cells separated by an opaque screen which casts a shadow on one of the cells if the array is not aligned. The output voltage of the cells is compared; if one is stronger than the other then the differential voltage with the polarity of the stronger cell is used to drive a miniature d.c. motor/gearbox combination which moves the array until both cells are equally illuminated. This system is claimed to give about double the output of a fixed array. Picture from Portescap who provided the motor.



One PACE forward — an in-car pilot

From time to time in the last 25 years, attempts have been made to develop electronic equipment to help car drivers find their way about: the 'moving map' is one result of this effort. Most of the developments seen during this time have exhibited drawbacks caused by deficiencies in accelerometers or gyros.

Plessey Electronic Systems Research at Roke Manor has now announced PACE (Plessey Adaptive Compass Equipment) which, in demonstration in that locality, is extremely impressive in its performance.

Essentially, it consists of a fluxgate magnetometer, rotation sensors on two opposite wheels to provide distance, speed and turning information, a 6502-based processor and two kinds of display. To use the equipment, the driver enters the map references of starting point and destination. A map of the relevant road system appears on a small v.d.u. and an arrow continuously indicates the car's position, together with its current map reference and heading. Since it is illegal in the UK to have a display of this kind where the driver can see it, a second, l.c.d. panel shows map reference and heading and instructions such as 'left in

100m' or 'Bear right at fork'. Voice synthesis could be used instead of the display, and the data could be transmitted to a base receiver in the case of a taxi or a police car.

Small inaccuracies of the compass are reduced by the dead-reckoning mode of operation and by the fact that the software used enables the equipment to 'recognise' features such as road junctions, at which errors are corrected, if necessary. Calibration updating of the compass, which is affected by changes in the permanent field of the car, is carried out by software and is effective enough to correct the errors introduced by a complete reversal of the field: the wheel sensors interpolate while this is done. It is not necessary to locate the magnetometer in any specially selected part of the car, provided that the engine compartment is avoided.

Plessey expect to start production of PACE in 1988, following development of a v.l.s.i. chip-set, and the provision of world-wide digitized maps for incorporation into processor firmware. We hope to provide a detailed account of this development in a future issue. ■

PACE in place. The equipment shown here is in its development stage and consists of a portable micro, which would be replaced by something a great deal simpler and smaller, with the l.c.d. in the dashboard, and the v.d.u. map display. On the right is shown the mounting of the magnetometer (left) and processor.

Listening word-processor

One of the major projects in the Alvey advanced computer programme is a word-processor that can respond directly to the human voice. The prime contractor is Plessey and chairman Sir John Clark said: "We are now within sight of producing a form of direct user/machine communication that, in the next decade, will begin to replace keyboard control. The prospect for instantaneous voice-to-voice translation, and many other applications, are tremendous. We believe that we lead the world in this area — combining phonetic, linguistic and human engineering with the advanced principles arising from fifth-generation computer technology."

Plessey are collaborating with Edinburgh and Loughborough Universities and University College, London. The system is planned to accept and respond to normal speech. The spoken words will be displayed on a screen when they can be corrected or edited before printing. A virtually unlimited vocabulary will have several thousand words initially. As well as text preparation the system will be used with artificial-intelligence programs to provide translation or answer questions from a database.

The project will use the fifth-generation computer technology developed under the Alvey 'Flagship' project. ■

THERE'S A PHILIPS INSTRUMENT THAT'S JUST RIGHT FOR YOU AT ELECTRONIC BROKERS



OSCILLOSCOPES



PM3267 HIGH PERFORMANCE 100MHz WITH D.T.B.

- Wide input voltage range
- Trigger view as third channel display
- Alternative main and delayed time bases
- Automatic triggering
- Independent MTB and DTB triggering
- TV (line and frame) triggering.

£1,345.00



PM3217 ADVANCED GENERAL PURPOSE 50MHz WITH D.T.B.

- High 2mV sensitivity across full bandwidth
- Easy auto-mode triggering with level control
- Automatic TV triggering on both line and frame
- Variable trigger hold-off avoids double writing
- Full X-Y display including X-X/Y
- Clear, well separated function controls for ease of use.

£965.00



PM3302 DIGITAL STORAGE WITH TWO MEMORIES

- Max sampling frequency 20MHz
- Maximum resolution 50nS
- 2K x 8 bit memory
- 2K back-up memory
- X-Y recorder output for hard copy
- 50s/div roll mode for low frequency signals.

£1,450.00

DIGITAL MULTIMETERS



PM2534 COMPLETE SYSTEM MULTIMETER

- IEEE interface fitted as standard
- 3½ to 6½ digit modes
- Up to 100 measurements/second
- Accuracy to 0.005%
- True RMS measurements
- Resolution to 100nV.

£795.00



PM2518X/PM2618X/PM2718X PORTABLE METERS

- Direct dB and relative measurements
- 200kHz frequency counter
- 0.3% analogue bargraph display
- Up to 0.05% DC accuracy
- 10MHz logic view function
- Up to 100kHz true RMS readings.

PM2518X/01 **£149.00** PM2618X/01 **£195.00** PM2718X/01 **£225.00**

FUNCTION GENERATOR



PM5193 PROGRAMMABLE SYNTHESISED GENERATOR

- Wide 0.1mHz to 50MHz frequency range
- Extremely high frequency accuracy and stability
- Full 8 digit resolution with clear LED readout
- 8 standard programmable waveform outputs
- Modulation facilities include FM, AM, Gate, Sweep, Burst
- Remote control of all programmes via IEEE interface.

£2,995.00

PATTERN GENERATOR



PM5515i COLOUR TV GENERATOR WITH USER PROGRAMMES

- Synthesised control of RF frequency
- Keyboard call-up of up to 70 patterns/combinations
- Simple switch selection of PAL or NTSC
- Operation of up to 3 or 4 receivers on a 10mV output
- Storage and recall of up to 10 complete programmes
- Covers every RF band from IF bands IV/V including cable TV bands.

£995.00

COUNTER/TIMER



PM6670/01 HIGH RESOLUTION WITH EXTRA FUNCTIONS

- High accuracy frequency measurements
- High resolution counting
- Burst frequency average, phase and RPM
- Time interval, single and average
- High trigger accuracy
- Excellent 10mV sensitivity.

£649.00

R.C.L. BRIDGE



PM6303 AUTOMATIC METER FOR FAST MEASUREMENT

- Easy to read crystal display
- Extremely fast automatic operation
- Displays component value, measurement units and equivalent circuit
- All displays appear simultaneously
- Push button selection of nine different parameters
- Two or four wire optional test attachment.

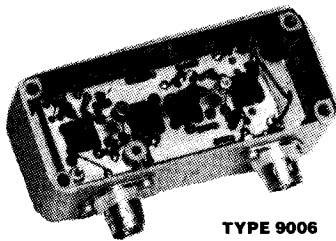
£785.00



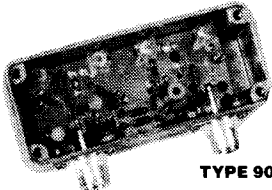
Electronic Brokers Ltd., 140-146 Camden Street, London NW1 9PB.
Tel: 01-267 7070 Telex 298694 Fax No: 01-267 7363

For further information contact our Sales Office. All prices exclusive of carriage and VAT.
Prices correct at time of going to press. A copy of our trading conditions is available on request.

RESEARCH COMMUNICATIONS LTD.
 UNIT 3, DANE JOHN WORKS, GORDON ROAD, CANTERBURY, KENT CT1 3PP
 TELEPHONE: CANTERBURY (0227) 456489



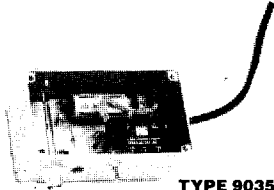
TYPE 9006



TYPE 9002

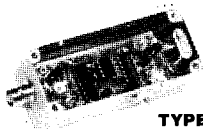
FREQUENCY CONVERTERS

In the range 30-1000 MHz.
 TYPE 9118 Receiving. 15V. + supply.....£65 + £2 p&p
 TYPE 9113 Transmitting. With phase locked loop frequency control.....£295 + £5 p&p

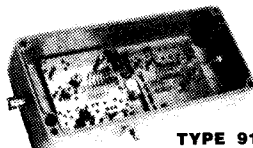


TYPE 9035

GASFET RF PREAMPLIFIERS. Aligned to your specified frequency in the range 30-1000 MHz. Masthead or local use.
 TYPE 9006 N.F. 0.6dB. Gain 10-40dB. variable. In the range 30-250 MHz. £65 + £2 p&p
 TYPE 9006FM As above. Band II 88-108 MHz. £65 + £2 p&p
 TYPE 9002 Two stage Gafset preamplifier. N.F. 0.7 dB. Gain 25 dB. adjustable. High Q filter. Tuned to your specified channels in bands IV or V.....£85 + £2 p&p
 TYPE 9004 UHF two stage Gafset preamplifier. N.F. 0.7 dB. Gain 25 dB. adjustable. High Q filter. Aligned to your specified frequency in the range 250-700 MHz.....£85 + £2 p&p
 TYPE 9035 Mains power supply for above units £24.50 + £3 p&p
 TYPE 9010 Masthead weatherproof unit for above amplifiers £9.50 + £2 p&p



TYPE 8034



TYPE 9105

TYPE 8034 PHASE LOCKED SIGNAL SOURCE using low frequency reference crystal. Specify output in the range 1-600 MHz. Output 10 mW. + 10 dBm £99.50 + £2 p&p
 TYPE 9182 FM EXCITER ± 75 KHz. deviation. Output 10mW £205 + £5 p&p
 TYPE 9086 FM TRANSMITTER 88-108 MHz. 50 watts RF output. 24V. + supply. Complete modular system £680 + £30 p&p
 TYPE 9087 As above with integral mains power supply unit £800 + £40 p&p
 PLEASE ADD 15% V.A.T. ON TOTAL



TYPE 9152



TYPE 9159

TELEVISION LINEAR POWER AMPLIFIERS Tuned to your specified channels in bands IV or V. (or 400-900 MHz).
 TYPE 9261 150mW. input, 20mW output..... £180 + £12 p&p
 TYPE 9252 20mW. input, 1 watt output..... £210 + £12 p&p
 TYPE 9259 1 watt input, 8 watts output..... £240 + £12 p&p

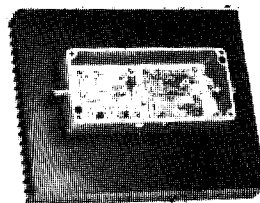


TYPE 9051

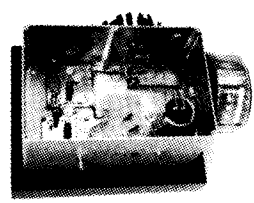


TYPE 9046

TMS WIDEBAND LINEAR POWER AMPLIFIERS 4/10/20 watts RF output. Without tuning. Power gain 13dB. (X 20). 24V + supply.
 TYPE 9046 100KHz.-100MHz. 4 watts £89.50 + £3.50 p&p
 TYPE 9051 15MHz.-200MHz. 4 watts £89.50 + £3.50 p&p
 TYPE 9171 15MHz.-200MHz. 10 watts £140 + £20 p&p
 TYPE 9172 As above with integral mains power supply unit £210 + £30 p&p
 TYPE 9174 15MHz.-200MHz. 20 watts £255 + £20 p&p
 TYPE 9175 As above with integral mains power supply £325 + £30 p&p



TYPE 9155



TYPE 9157

TMS RF LINEAR POWER AMPLIFIERS. Tuned to your specified frequency in the range 10-250MHz.
 TYPE 9105 10mW input, 1 watt output. 24V. + supply.....£190 + £12 p&p
 TYPE 9155 1 watt input, 30 watts output. 24V. + supply.....£270 + £15 p&p
 TYPE 9156 As above with integral mains power supply unit.....£390 + £30 p&p
 TYPE 9106 100mW input, 10 watts output. 24V. + supply.....£195 + £15 p&p
 TYPE 9158 5 watts input, 80 watts output. 24V. + supply.....£370 + £20 p&p
 TYPE 9157 As above with integral mains power supply unit.....£450 + £30 p&p

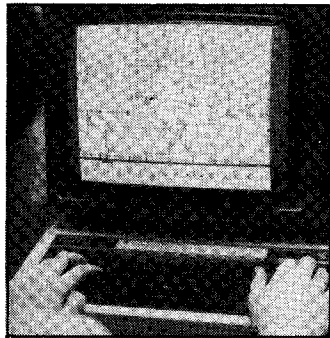
CIRCLE 57 FOR FURTHER DETAILS.

PINEAPPLE SOFTWARE

Programs for the BBC model 'B' with disc drive with FREE updating service on all software

ARE YOU GETTING THE MOST FROM YOUR DOT MATRIX PRINTER AND DISC DRIVE?

DIAGRAM is a new program which really exploits the full potential of the BBC micro and will enable you to obtain printouts of a size and quality previously unobtainable from your system.



FEATURES

- Draw diagrams, schematics, plans etc., in any aspect ratio, e.g. 10*3, 2*12 screens
- Access any part of the diagram rapidly by entering an index name, e.g. TR6, R5 etc., to display a specific section of the diagram, and then scroll around to any other part of the diagram using the cursor keys.
- Up to 128 icons may be predefined for each diagram, e.g. Transistors, resistors etc., in full mode 0 definition, up to 32 pixels horizontally by 24 vertically.
- Hard copy printouts in varying print sizes up to 18 mode 0 screens on an A4 size sheet, compatible with most dot matrix printers.
- Many other features including, selectable display colours, comprehensive line drawing facilities, TAB settings, etc.
- The latest version of DIAGRAM is now fully compatible with the Marconi Tracker Ball, which allows 'scrolling' of the screen and many of the editing features to be carried out using the tracker ball.
- DIAGRAM is supplied in an attractive hard backed disc wallet with keystrip and comprehensive instruction manual.

£25 supplied only on disc 40/80T. Please specify printer type when ordering +VAT p&p free

MARCONI TRACKER BALL £51.50 +VAT p&p free

Includes ICON art master software
All orders sent by return of post

39 Brownlea Gardens, Seven Kings, Ilford, Essex IG3 9NL

Tel. 01-599 1476.

CIRCLE 26 FOR FURTHER DETAILS.



Send now
for our FREE CATALOGUE
Or ring: 01 567 8910 for
the keenest prices on—

CMOS
TTL
OPTO
TRIACS
NICADS

TRANSFORMERS
CONNECTORS
MICROPROCESSORS
HEATSINKS
MULTIMETERS

BOOKS
TOOLS
BOXES
RELAYS
SWITCHES

AND LOTS LOTS MORE

We also **STOCK** over 30 KITS for Timers, Remote Control, Disco Lights, Temperature Control, etc. **PLUS** a wide range of **VELLEMAN** and **PANTEC** KITS

TK ELECTRONICS
13 BOSTON RD
LONDON W7 3SJ

SEND 9" X 6" SAE
OR CALL AT SHOP
Mon-Fri 9-5 pm
Saturday 10-4 pm

FREE P&P on orders over £20 (UK only), otherwise add 75p + VAT. Overseas P&P:

Europe £2.75. Elsewhere £6.50. Giro No. 529314002.
SCHOOL AND LOCAL AUTHORITY ORDERS WELCOME
GOODS BY RETURN SUBJECT TO AVAILABILITY

CIRCLE 78 FOR FURTHER DETAILS.

ELECTRONICS & WIRELESS WORLD MARCH 1986

SECOND USER TEST EQUIPMENT

This is just a sample of our huge inventory - contact us with your requirements.

OSCILLOSCOPES

Hewlett Packard		
1715A opt 101	200MHz Scope	£1950
1980B opt 150, 810, 860	Scope System	£4950
Tektronix		
212	Miniscope 500KHz	£350
2445	150MHz 4 Channel Scope	£2475
465B/DM44	100MHz Scope DMM	£2000
465B	100MHz Scope	£1450
475A	200MHz Scope	£2350
475	150MHz Scope	£2000
475A/DM44	200MHz Scope/DMM	£2750
485	350MHz Scope	£4950
634 opt 1, 2D	Display Monitor	£750
76D3	100MHz Mainframe	£1950
R7063	100MHz Rack Mounting Frame (unused)	£1950
7704A	200MHz Mainframe	£2850
7854	Waveform Processing Mainframe	£11000
7904	500MHz Mainframe	£6850

A large selection of 7000 series plug-ins available at up to 60% saving on list. Please call for quotations.

ANALOGUE METERS

Fliuke		
887AB	Differential Voltmeter	£850
931B	Differential Voltmeter	£750
Marconi		
TF 2603	RF Millivoltmeter	£550

ANALYSERS

Anritsu		
MS 82B	Spectrum Analyser 10KHz-1700MHz	£7250
Hewlett Packard		
332A	Distortion Analyser	£600
1B15A	Logic Analyser	£950
8903A opt 01	Modulation Analyser	£4800
1821 + 8559A	Spectrum Analyser	£9390
3582A	Spectrum Analyser	£7750
Marconi		
TF 2330A	Wave Analyser	£850
TF 2337A	Automatic Distortion Meter	£450
TF 2300B	Modulation Meter	£950
TF 2829	P.C.M. Digital Analyser	£1250
TF 2809	Data Line Analyser	£850
Radiometer		
BKF 10	Automatic Distortion Analyser + REC81 Plotter	£1500
Thandar		
TA 2160	Logic Analyser 16 Channel MINT	£990

Tektronix		
308	Data Analyser	£1750
WM 4905	Mixer Set (491/492) New	£6000

SIGNAL SOURCES

Hewlett Packard		
214A	Pulse Generator	£750
8007B	Pulse Generator	£950
8011A	Pulse Generator 20MHz	£550
8015A opt 02	Pulse Generator	£1500
8616A	UHF Signal Generator 1800-4500MHz	£2750
86260A	Sweep Generator Plug-in 12.4-18GHz	£3500
8690B	Sweeper Mainframe	£950
4204A	Digital Oscillator	£475
3314A opt 01	Function Generator	£2500
3325A	Function Generator	£1950
Marconi		
TF 2002B	AM/FM Signal Generator	£995
TF 2006	AM/FM Signal Generator 1GHz	£1950
Wavetek		
186	50MHz Pulse/Function Generator	£1500
184	5MHz Sweep Generator	£850
185	Sweep Generator 5MHz	£595

TEKTRONIX G.P.T.E.

ENORMOUS SAVINGS - NEW LOW PRICES - SAVE UP TO 80%

AM 501	Op. Amp.	£75
DC 503	Counter	£75
DC 504 opt 01	Counter	£95
DC 508	Counter	£125
DC 508A	Counter	£500
DD 501	Digital Delay	£300
DM 501 opt 02	Digital Multimeter	£75
DM 502A opt 02	Digital Multimeter	£100
FG 501	Function Generator	£95
FG 502	Function Generator	£150
FG 504	40MHz Function Generator	£1250
PG 501	Pulse Generator	£125
PG 502	Pulse Generator	£1000
PG 505	Pulse Generator	£150
PG 506	Constant Amp. Generator	£1500
PG 508	Pulse Generator	£900
RG 501	Ramp Generator	£100
SC 501/2/3	Scopes	each £350
SG 502	Signal Generator	£325

SG 504	Signal Generator	£1500
SG 505	Signal Generator	£260
TG 501	Time Mark Generator	£1350
TM 501	Mainframe	£320
TM 503	Mainframe	£320
TM 504	Mainframe	£375
TM 506	Mainframe	£325
TM 515	Mainframe	£400

HEWLETT PACKARD COMPUTERS

2824B opt 005, 013	Terminal	£1300
2931B opt 005, 017, 019	Printer	£650
3497A opt 001	Data Acquisition Unit	£2950
6940B	Multiprogrammer	£1495
7910H opt 015	Disk Drive	£2000
9825A	Desk Top	£1250
9862A	Platter	£500
9915A	Computer	£850

Also available: 9816A • 9825S • 9825T • 9826A • 9835A • 9836A • 9845S • 9845B • 9845C-150 • 9827C • 9827T.

FLUKE 7220A
Communications Counter
10Hz-1300MHz • 9 DIGIT LED
BARGAIN PRICE: £495
6 Months Warranty

GENERAL PURPOSE T & M

Farnell		
SSG 520 + TTS	520 Transmission Test Set	£4275
G. P. Industrial		
MFL 373	Fault Locator MINT	£395
P 9030	EPPOM Programmer MINT	£450
Hewlett Packard		
3437A	High Speed D. V.M.	£1250
3456A	Systems D. V.M.	£1500
3465A	4 1/2 Digit D. M. M.	£350
3468A	5 1/2 Digit HPIL D. M. M.	£395
8746B	S Parameter Test Set	£7500
7475A opt 001	Plotter	£1275
Marconi		
TF 1313A	LCR Bridge 0.1%	£750
TF 2702	Inductor Analyser	£950
TF 2807A	PCM Tester	£1350
TF 2905A8	TV Pulse Generator	£750
Tektronix		
520A	Vectorscope (NTSC)	£2750
521A	Vectorscope (PAL)	£4250
5905A	Colour Monitor	£1900
523	Curve Tracer	from £500-£7000
	Sampling Head	£950

ELECTRONIC BROKERS IS THE SOURCE

All prices are exclusive of VAT and correct at time of going to press • Carriage and packing charges extra • A copy of our trading conditions is available on request

Electronic Brokers

Electronic Brokers Ltd, 140-146 Camden Street, London NW1 9PB
Telephone: 01-267 7070 • Telex: 298694 • Fax: 01-267 7363

CIRCLE 92 FOR FURTHER DETAILS.

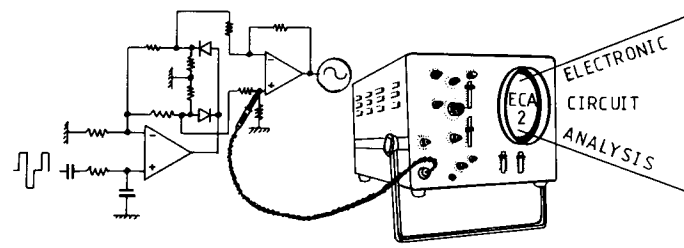
NEW ELECTRONIC MODELLING SOFTWARE FROM SEASIM

LSS — Logic Simulation Systems by Tatum Labs is comprehensive and fast. Four logic states — 1.0. Hi-z and unknown — are supported and a number of user-defined signals (typically over 1000) may be introduced. Output provides timing diagram, loading report (fan out) and circuit listing. Indefinitely nestable user-defined macros along with a good variety of built-in components allow circuits to be built and edited easily.
 CP/M80, MS.DOS, & PC.DOS versions, Price £350 + *p&p + VAT *(£5 U.K.)

MICROSPICE — this circuit simulator allows detailed semi-conductors' and other devices' behaviour, including noise, to be investigated on the Beeb. Device parameter values may be swept to give spread of operating points at which small-signal AC analyses may be performed. Full editing, saving, etc, makes this powerful program valued by both R&D and advanced educational users alike.
 Disk (BBC Model B) and manual Price £99 + p&p* + VAT *(£2 U.K.)

Also available:—

- ECA 2** Powerful analogue AC & DC circuit simulator with Monte-Carlo worst-case tolerancing. MS.DOS & PC.DOS version £350 + p&p* + VAT *(£5 U.K.)
- CIRCUIT MODELLER** Harcourt's respected AC circuit modelling program with useful output graph. CP/M 80 version £160 + p&p* + VAT *(£2 U.K.)
- CIRCUIT MODELLER PLUS** Enhanced Circuit Modeller with Group Delay, greater arithmetic precision and user-defined op-amp models MS.DOS & PC.DOS version £245 + p&p* + VAT *(£2 U.K.)



Seasim Controls Ltd,
The Paddocks, **Tlx 21189 SEASIM G**
Frith Lane, London, NW7 1PS.

CIRCLE 19 FOR FURTHER DETAILS.

RSD CONNECTIONS LTD

MONITOR LEADS	RIBBON CABLE (Price per ft)		IDC SHROUDED HEADERS
BBC to Microvitec £2.20	9-way Grey .13	Rainbow .24	WITH EJECTING LOCKING ARMS
TV to Computer £1.25	10-way .15	.28	Straight Right Angled
Green Screen £2.95	14-way .18	.32	10-way .85 .90
BBC to Fidelity etc. £4.95	15-way .20	.36	14-way £1.00 £1.20
QL to Fidelity etc. £4.95	16-way .22	.40	16-way £1.25 £1.45
COMMODORE to Fidelity etc. £4.95	20-way .30	.50	20-way £1.40 £1.60
Phono to Phono £1.25	24-way .36	.60	26-way £1.70 £1.95
BBC to Ferguson £2.50	25-way .40	.65	34-way £2.00 £2.30
QL to Microvitec £2.50	26-way .45	.70	40-way £2.15 £2.45
QL to mono monitor £1.50	34-way .60	.80	50-way £2.30 £2.65
BBC to Sony/Kaga £5.95	37-way .65	.85	60-way £2.45 £2.85
BNC to BNC £2.95	40-way .70	.90	
COMMODORE to Ferguson £2.50	50-way .95	£1.25	DIP HEADERS
BBC to Hitachi £2.50	60-way £1.10	£1.40	DIP 14 .90
SONY to Fidelity etc. £6.50	64-way £1.15	£1.50	DIP 16 .95
MSX to Ferguson £2.50			DIP 24 £1.40
QL to Ferguson £2.50			DIP 28 £2.35
			DIP 40 £2.15
			Jump leads made to order
IDC AMPHENOL	EXPORT & HOME TRADE ENQUIRIES INVITED		INLINE MALE HEADERS
38-way plug £4.95	D CONNECTORS		20-way £3.28
38-way socket £5.95	Solder	Male Female	25-way £3.63
38-way plug (solder type) £4.95	9-way .75	£1.00	34-way £4.09
	15-way .95	£1.50	40-way £4.42
	25-way £1.50	£1.90	
	37-way £2.40	£3.25	IDC D CONNECTORS
	Hoods .95		9-way Male £2.70 Female £3.20
			15-way £3.20 £3.70
			25-way £3.80 £4.45
			37-way £5.90 £6.80
DISK DRIVE LEADS	TELEPHONE CONNS		SPECTRUM DRIVES
Dual disk drive power lead £4.50	Surface master jack socket £3.75		RS232 WAFA lead 1m £10.50
Dual disk drive lead 1m £10.25	Surface extn socket £2.50		Centronics WAFA lead 1m £10.50
Single disk drive power lead £2.75	Dual outlet adaptor £4.25		Micro Extn. lead 12" £6.00
Single disk drive lead 1m £7.25	Line jack cord 3mtr £1.85		
Disk drive extn. lead 1m £7.25	4-core cable per metre 15p		SPECTRUM EXTENSION LEADS
AMSTRAD 2nd DRIVE £6.95	BT plugs 48p		6inch extension cable M to F £10.50
	All surface units shuttered BT approved.		6inch F to 2M's £14.75
			12 inch extension cable M to F £10.75
CASSETTE LEADS	CONNECTORS IDC		EDGE CONNECTORS
BBC to cassette £2.25	Card Edge PCB 2 Row Socket		2 x 23-way (ZX-18) £1.85
DRAGON to cassette £2.20	10-way £1.20 £0.85 £0.80		2 x 28-way (Spectrum) £2.10
SPECTRUM to cassette £1.25	14-way — £0.90		DOUBLE SIDED PLUG BOARDS
BBC to Acorn cassette £2.25	16-way £1.60 £1.20 £1.00		ZX-81 23-way £1.35
AMSTRAD to cassette £2.20	20-way £1.90 £1.35 £1.20		Spectrum 28-way ADDITIONAL IDC £1.50
	26-way £2.40 £1.60 £1.45		
	34-way £3.10 £1.95 £1.60		56-way Card Edge for Extension Lead £4.25
	40-way £3.40 £2.00 £1.85		
	50-way £3.85 £2.25 £2.00		
	60-way £4.80 £2.60 £2.25		
PRINTER LEADS			
ALL 1 METRE LENGTH			
BBC £9.95			
BBC serial £8.95			
AMSTRAD £16.75			
MEMOTECH £12.75			
EINSTEIN £12.75			
IBM PC £15.75			
SPECTRUM interface One to RS 232 £9.75			
ATARI £15.25			
MSX £13.95			
APRICOT £15.20			
DRAGON £9.95			
QL £10.75			
ANY COMBINATION OF LEADS MADE TO ORDER			

75p P&P IN UK. Access & Visa accepted. Add 15% VAT to all orders

Cheques made payable to:
RSD Connections Ltd, Dept WW3
PO Box 1, Ware, Herts.
Tel: 0920 5285/66284

CIRCLE 27 FOR FURTHER DETAILS.

4 + 11GHz SATELLITE TV RECEIVING EQUIPMENT

LNA's LNC's RECEIVERS, FEED HORNS ETC.
 Dealer enquiries welcome
 For further details contact
HARRISON ELECTRONICS
 22 MILTON ROAD, WESTCLIFF-ON-SEA, ESSEX SS0 7JX Tel: (0702) 332338

PRINTERS — MONITORS — TERMINALS — PERIPHERALS

Burroughs MT710: Intelligent Green 12" VDU with 3 micros and 64K store. RS232. Programmable. Only £149 new + £15 P&P.

12" Open chassis Video Monitor: by Hitachi standard composite Video and 12v input. Green screen, wide bandwidth. £40.00 + £7.00P.

Cased Video Monitors: 12" or 15" Green Screens standard composite video & mains £60.00 + £7.00 P&P.

Centronics 306 Line Printers: Professional fast (120 cps), superb quality 80 column printer. Parallel i/f. ONLY £99 + £15.00 P+P.

Texas Silent 700 Printers: Whisper quiet 80 col matrix printer with RS232 interface. ONLY £99.00 + £7.00 P&P.

Diablo 630 Daisywheel printer: OEM i/f NEW £599 + £15 P&P.

Calcomp 565 Drum Plotter: OEF £450 + £10 P+P.

Many more bargains. Phone for your requirements. WE ALSO BUY.

BECKENHAM PERIPHERALS LTD
 Callers welcome by appointment **01-466 5582**
34 Rodway Road, Bromley
Kent BR1 3JL

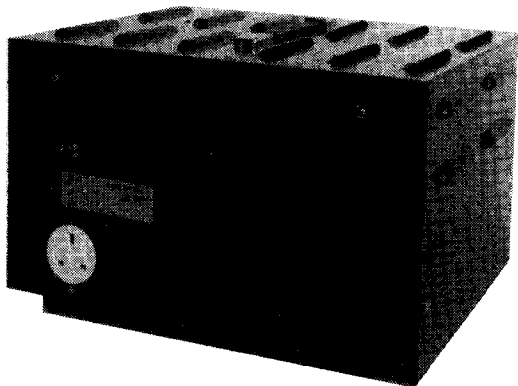
SAE for LIST and enquiries

CIRCLE 73 FOR FURTHER DETAILS.

CARACAL

SINE WAVE INVERTERS

200 to 1000 VA



CARACAL produce the U.K.'s best range of sine wave inverters up to 1000VA. Our latest pulse width modulation inverters out-date older tuned-type inverters by giving much higher efficiency and low standby current drain.

CARACAL inverters have been in use around the world for many years providing highly reliable backup AC power for computers, communications and instrumentation. They are also widely used to provide AC power in mobile applications.

For full details contact

CARACAL POWER PRODUCTS LTD.
42-44 SHORTMEAD ST., BIGGLESWADE, BEDS.
Tel: 0767 — 260997

CIRCLE 28 FOR FURTHER DETAILS.

EPROM PROGRAMMER

for the BBC micro

An exceptionally versatile unit, programs EEPROMs and EPROMs from 2K to 32K.

Powerful, easy to use software in a sideways ROM.

Features full screen data editor, files, and softkeys.

Professionally designed hardware ensures reliable and safe programming, also detects badly socketed EPROMs.

Soundly constructed in a convenient flip-top box which protects unit when not in use.

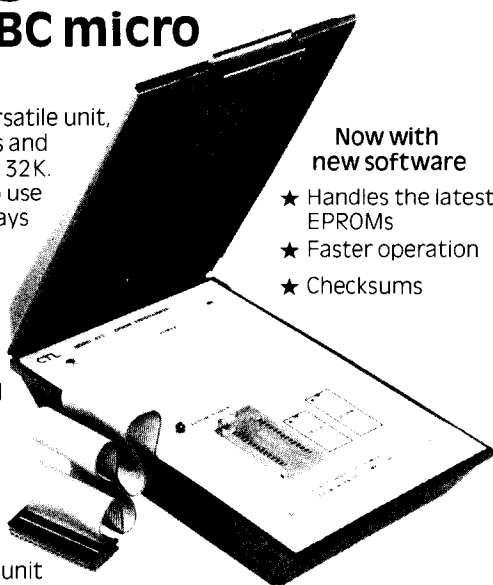
Supplied with a comprehensive manual.

Adaptors for single chip EPROM MPU's available.

£95 (excl VAT, free P&P)

10% Educational discount available

2 year guarantee. Detailed information on request



Now with new software

- ★ Handles the latest EPROMs
- ★ Faster operation
- ★ Checksums



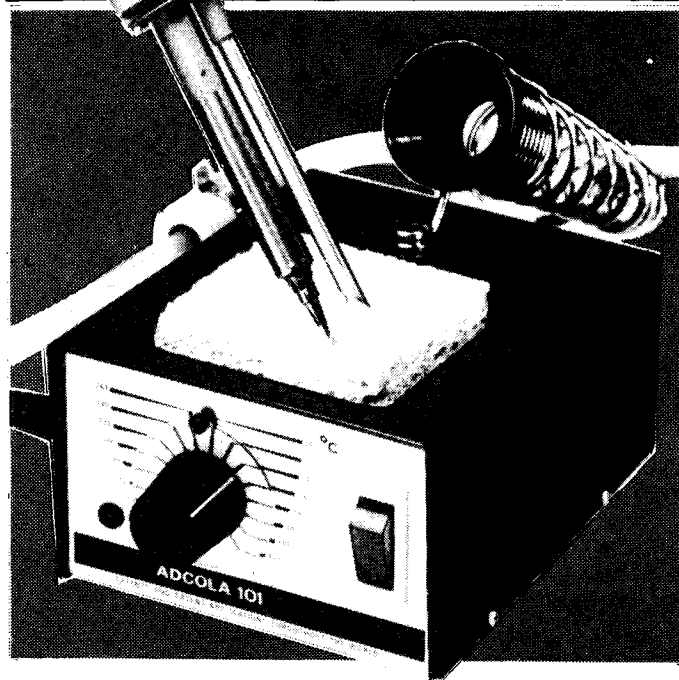
Control Telemetry of London
Unit 11, Burmarsh, Marsden St.,
London NW5 3JA. Tel: 01-482 2177

CIRCLE 40 FOR FURTHER DETAILS.

ELECTRONICS & WIRELESS WORLD MARCH 1986

Remove Soldering Fumes

WITH ADCOLA FUMEX[®] SYSTEMS



FumeX[®] removes over 90% of soldering generated fumes, discharged into open atmosphere without heat losses to soldering tool or working environment. Tool designs give clear visibility and ensure that operators and the environment are not generally polluted with collophony.

New design soldering tools based on 3 years continual practical experience.

ADCOLA supporting range of electronic production equipment also available.



For a no obligation demonstration, please contact:

ADCOLA PRODUCTS LIMITED Gauden Road London SW4 6LH
Telephone Sales (01) 622 0291 Telex 21851 Adcola G

Sales Offices also at Bristol, Bournemouth, Preston and Glasgow.

CIRCLE 43 FOR FURTHER DETAILS.

BBC Computer & Econet Referral Centre

AMB15	BBC MASTER Foundation computer 128K	£435 (a)
AMB12	BBC MASTER Econet computer 128K (only ANFS)	£348 (a)
A MC06	Turbo (65C102) Expansion Module	£87 (b)
AMC03	32016 Expansion Module with 0.5Mb RAM	£POA (b)
ADF13	Rom Cartridge	£13 (d)

BBC B PLUS with DFS £369 (a)	BBC B PLUS with 128K £389 (a)
BBC B PLUS Econet (No DFS) £360 (a)	BBC B PLUS Econet & DFS £399 (a)
BBC Dust Cover £4.50 (d)	1770 DFS Upgrade for Model B £43.50 (d)
ACORN Z80 2nd Processor £329 (a)	6502 2nd Processor £169 (b)
MULTIFORM Z80 2nd Processor	£299 (b)
TORCH Z80 2nd Processor	
ZEP 100	£199 (a) £240 (a)

META-ASSEMBLER. Both an editor and Macro-Assembler. Meta can assemble most 65xx, 68xx, 6804, 6805/6305, 6809, 8048, 8080/8085, Z80, 1802 and more. (Free updates due very soon - 68000 series, 8088/8086, Z8000 etc.) Many advanced features including Macros, conditional assembly, Global/selective search etc. etc. Includes 16K Eprom, disc, function key card, and comprehensive manual. Please phone for comprehensive leaflet. **Meta-Assembler £126(c)**

We stock the full range of ACORN hardware and firmware and a very wide range of other peripherals for the BBC. For detailed specifications and pricing please send for our leaflet.

PRINTERS

EPSON LX-80 NLQ	£195 (a)	Optional Tractor Feed	£20 (c)
EPSON FX Range:			
FX85 (80 col)	£315 (a)	FX105 (136 col)	£449 (a)
EPSON JX80 4 colour printer			£435 (a)
EPSON LQ Range:			
LQ800 (80 col)	£595 (a)	LQ1500 (136 col) 2K buffer	£875 (a)
32K buffer			£950 (a)
TAXAN KAGA:			
KP180 (80 col)	£195 (a)	KP910 (156 col)	£339 (a)
DAISY WHEEL:			
BROTHER HR 15	£285 (a)	JUKI 6100	£279 (a)
DOTPRINT + NLQ Rom for Epson			£28 (d)
EPSON HI-80 PLOTTER			£345 (a)

PRINTER ACCESSORIES

We hold a wide range of printer attachments (sheet feeders, tractor feeds etc) in stock. Serial, parallel, IEEE and other interfaces also available. Ribbons available for all above plotters. Pens with a variety of tips and colours also available. Please phone for details and prices.

Plain Fanfold Paper with extra fine perforation (Clean Edge):
2000 sheets 9.5" x 11" £13(b) 2000 sheets 14.5" x 11" £18.50(b)
Labels per 1000s: Single Row 3 3/8" x 1 7/16" £5.25(d) Triple Row 2-7/16" x 1 7/16" £5.00(d)

MODEMS

MIRACLE WS 2000

The world standard BT approved modem covering all standard CCITT and BELL (outside UK only) standards upto 1200 baud. Allows communication with virtually any computer system in the world. Expandability to Auto Dial and Auto Answer with full software control enhance the considerable features already provided on the modem. Mains powered. WS 2000 £125 (c) Auto Dial Board/ Auto Answer Board (awaiting BAPT approved) £30 (d) Software Control Kit £10 (d)

NEW WS-3000 RANGE - the new professional series. All are intelligent and 'Hayes' compatible, allowing simply 'English' commands to control its many features. All models feature Auto-Dial with 10 number memory, Auto-Answer, Speed Buffering, printer port, data security option etc. All models are factory upgradeable.

WS3000 V2123 (V21 & V23 + Bell) £295 (a)

WS3000 V22 (as above plus 1200 baud full duplex) £495 (a)

WS3000 V22bis (as above plus 2400 baud full duplex) £650 (a)

The WS3000 range all have BT approval.

GEC DATACHAT 1223 £86(b)

SOFTY II

This low cost intelligent eprom programmer can program 2716, 2516, 2532, 2732, and with an adaptor, 2564 and 2764. Displays 512 byte page on TV - has a serial and parallel I/O routines. Can be used as an emulator, cassette interface. Softy II £195.00 (b)
Adaptor for 2764/2564 £25.00

SPECIAL OFFER

2764-25 £2:00(d);
27128-25 £2:75(d);
6264-LP-15 £3:75(d);

ACORN IEEE INTERFACE £278(a)

INDUSTRIAL PROGRAMMER EP8000 £695 (a)

I.D. CONNECTORS

No of ways	Header	Receptacle	Edge Conn.
10	90p	85p	120p
20	145p	125p	195p
26	175p	150p	240p
34	200p	160p	320p
40	220p	190p	340p
50	235p	200p	390p

D CONNECTORS

Male:	No of Ways	9	15	25	37
Ang Pins	120	180	230	350	
Solder	60	85	125	170	
IDC	175	275	325	-	
FEMALE:					
St Pin	100	140	210	380	
Ang Pins	160	210	275	440	
Solder	90	130	195	290	
IDC	195	325	375	-	
St Hood	90	95	100	120	
Screw	130	150	175	-	
Lock					

TEXTPOOL ZIF

SOCKETS	24-pin £7.50
28-pin	£9.10
40-pin	£12.10

EDGE CONNECTORS

Size	0.1"	0.156"
2" 6-way (commodore)	—	300p
2" 10-way	150p	—
2" 12-way (vic 20)	—	350p
2" 18-way	—	140p
2" 23-way (*X81)	175p	220p
2" 25-way	225p	220p
2" 28-way (Spectrum)	200p	—
2" 36-way	250p	—
1" 43-way	260p	—
2" 22-way	190p	—
2" 43-way	395p	—
1" 77-way	400p	500p
2" 50-way (S100connr)	600p	—

EURO CONNECTORS

DIN 41612	Plug	Skt
2" 32 way St Pin	230p	275p
2" 32 way Ang Pin	275p	320p
3" 32 way St Pin	260p	300p
3" 32 way Ang Pin	375p	400p
IDC Skt A + B	400p	—
IDC Skt A + C	400p	—

For 2 x 32 way please specify spacing (A + B, A + C).

MISC CONN

21 pin Scart Connector	200p
8 pin Video Connector	200p

DISC DRIVES

PD800P (2 x 400K/2 x 640K 40/80T DS) with built in monitor stand	£254 (a)
PD800 (2 x 400K/2 x 640K 40/80T DS)	£224 (a)
TS400 1 x 400K/1 x 640K 40/80T DS	£99 (b)
PS400 with psu 1 x 400K/1 x 640K 40/80T DS	£120 (b)

SPECIAL OFFER

ACORN's Single Drive 1 x 100K/1 x 160K 40T SS £49 (b)

3.5" DRIVES	
1 x 400K/1 x 640K 80T DS	
TS35 1	£99 (b)
2 x 400K/1 x 640K 80T DS	
TS35 2	£174 (b)
PS35 1 with psu	£119 (b)
PS35 2 with psu	£189 (b)

3M FLOPPY DISCS

Industry Standard floppy discs with a lifetime guarantee Discs in packs of 10.
5 1/4" DISCS 3 1/2" DISCS

40 T SS DD	£12(d)	40 T DS DD	£16(d)	80 T SS DD	£30(d)
80 T SS DD	£21(d)	80 T DS DD	£22(d)	80 T DS DD	£38(d)

FLOPPICLENE DRIVEHEAD CLEANING KIT

FLOPPICLENE Disc Head Cleaning Kit with 28 disposable cleaning discs ensures continued optimum performance of the drives. £14.50 (b)

DRIVE ACCESSORIES

Single Disc Cable	£6 (d)	Dual Disc Cable	£8.50 (d)
10 Disc Library Case	£1.80 (d)	30 Disc Storage Box	£6 (c)
30/40 Disc Lockable Box	£14 (c)	100 Disc Lockable Box	£16(c)

MONITORS

All 14" monitors now available in plastic or metal cases, please specify your requirement.

14" RGB 1431 STD Res £185 (a); 1451 Med Res £240 (a); 1441 Hi Res £375 (a).
14" RGB with PAL & Audio 1431 AP Std Res £205 (a) 1451 AP Med Res £275 (a)
Swivel Base for Plastic 14" Microvitacs £20 (c)
20" RGB with PAL & Audio 2030CS Std Res £380 (a); 2040CS Hi Res £685 (a).

KAGA TAXAN 12" RGB

VISION II Hi Res £210 (a); VISION III Plus £330 (a)
SUPERVISION III Plus £330 (a)

MITSUBISHI 14" RGB Med RES IBM & BBC Compatible £229 (a)

MONOCHROME MONITORS:

SANYO DMB112CX Hi Res 12" Green Screen £95 (a)
KAGA KX1201G Hi Res 12" Etched Green Screen £99 (a)
KAGA KX1203A Hi Res 12" Etched Amber screen £105 (a)
PHILIPS BM7502 12" Hi Res Green Screen £75 (a)
PHILIPS BM7522 12" Hi Res Amber Screen £79 (a)

BBC Leads RGB £5(d) Microvitac £3.50(m d) Monochrome £3.50 (d)

UVERASERS

UV1 T Eraser with built-in timer and mains indicator. Built-in safety interlock to avoid accidental exposure to the harmful UV rays.
It can handle up to 5 erasors at a time with an average erasing time of about 20 mins. £59 + £2 p&p.
UV1 A as above but without the timer. £47 + £2 p&p.
For Industrial Users, we offer UV140 & UV141 erasers with handling capacity of 14 erasors. UV141 has a built in timer. Both offer full built in safety features UV140 £69, UV141 £85, p&p £2.50.

PRINTER BUFFER

The buffer offers a storage of 64K. Data from three computers can be loaded into the buffer which will continue accepting data until it is full. The buffer will automatically switch from one computer to next as soon as that computer has dumped all its data. The computer then is available for other uses. LED bargraph indicates memory usage. Simple push button control provides. REPEAT, PAUSE and RESET functions. Integral power supply. £199 (a).
BBC Cable Set £30.

Serial Test Cable

Serial Cable switchable at both ends allowing pin options to be re-routed or linked at either end - making it possible to produce almost any cable configuration on site.
Available as M/M or M/F £24.75 (d)

Serial Mini Patch Box

Allows an easy method to reconfigure pin functions without rewiring the cable assay. Jumpers can be used and reused. £22 (d)

Serial Mini Test

Monitors RS232C and CCITT V24 Transmissions, indicating status with dual colour LEDs on 7 most significant lines. Connects in Line. £22.50 (d)

CONNECTOR SYSTEMS

I.D. CONNECTORS		EDGE CONNECTORS		AMPHENOL CONNECTORS		RIBBON CABLE																																																																																																			
<table border="1"> <thead> <tr> <th>No of ways</th> <th>Header</th> <th>Receptacle</th> <th>Edge Conn.</th> </tr> </thead> <tbody> <tr> <td>10</td> <td>90p</td> <td>85p</td> <td>120p</td> </tr> <tr> <td>20</td> <td>145p</td> <td>125p</td> <td>195p</td> </tr> <tr> <td>26</td> <td>175p</td> <td>150p</td> <td>240p</td> </tr> <tr> <td>34</td> <td>200p</td> <td>160p</td> <td>320p</td> </tr> <tr> <td>40</td> <td>220p</td> <td>190p</td> <td>340p</td> </tr> <tr> <td>50</td> <td>235p</td> <td>200p</td> <td>390p</td> </tr> </tbody> </table>		No of ways	Header	Receptacle	Edge Conn.	10	90p	85p	120p	20	145p	125p	195p	26	175p	150p	240p	34	200p	160p	320p	40	220p	190p	340p	50	235p	200p	390p	<table border="1"> <thead> <tr> <th>Size</th> <th>0.1"</th> <th>0.156"</th> </tr> </thead> <tbody> <tr> <td>2" 6-way (commodore)</td> <td>—</td> <td>300p</td> </tr> <tr> <td>2" 10-way</td> <td>150p</td> <td>—</td> </tr> <tr> <td>2" 12-way (vic 20)</td> <td>—</td> <td>350p</td> </tr> <tr> <td>2" 18-way</td> <td>—</td> <td>140p</td> </tr> <tr> <td>2" 23-way (*X81)</td> <td>175p</td> <td>220p</td> </tr> <tr> <td>2" 25-way</td> <td>225p</td> <td>220p</td> </tr> <tr> <td>2" 28-way (Spectrum)</td> <td>200p</td> <td>—</td> </tr> <tr> <td>2" 36-way</td> <td>250p</td> <td>—</td> </tr> <tr> <td>1" 43-way</td> <td>260p</td> <td>—</td> </tr> <tr> <td>2" 22-way</td> <td>190p</td> <td>—</td> </tr> <tr> <td>2" 43-way</td> <td>395p</td> <td>—</td> </tr> <tr> <td>1" 77-way</td> <td>400p</td> <td>500p</td> </tr> <tr> <td>2" 50-way (S100connr)</td> <td>600p</td> <td>—</td> </tr> </tbody> </table>		Size	0.1"	0.156"	2" 6-way (commodore)	—	300p	2" 10-way	150p	—	2" 12-way (vic 20)	—	350p	2" 18-way	—	140p	2" 23-way (*X81)	175p	220p	2" 25-way	225p	220p	2" 28-way (Spectrum)	200p	—	2" 36-way	250p	—	1" 43-way	260p	—	2" 22-way	190p	—	2" 43-way	395p	—	1" 77-way	400p	500p	2" 50-way (S100connr)	600p	—	<table border="1"> <thead> <tr> <th colspan="2">36 way plug Centronics (solder) 500p (IDC) 475p</th> </tr> </thead> <tbody> <tr> <td colspan="2">36 way skt Centronics (solder) 550p (IDC) 500p</td> </tr> <tr> <td colspan="2">24 way plug IEEE (solder) 475p (IDC) 475p</td> </tr> <tr> <td colspan="2">24 way skt IEEE (solder) 500p (IDC) 500p</td> </tr> <tr> <td colspan="2">PCB Mtg Skt Ang Pin</td> </tr> <tr> <td colspan="2">24 way 700p 36 way 750p</td> </tr> </tbody> </table>		36 way plug Centronics (solder) 500p (IDC) 475p		36 way skt Centronics (solder) 550p (IDC) 500p		24 way plug IEEE (solder) 475p (IDC) 475p		24 way skt IEEE (solder) 500p (IDC) 500p		PCB Mtg Skt Ang Pin		24 way 700p 36 way 750p		<table border="1"> <thead> <tr> <th colspan="2">DIL HEADERS</th> </tr> </thead> <tbody> <tr> <td>14 pin</td> <td>Solder IDC 40p 100p</td> </tr> <tr> <td>16 pin</td> <td>50p 110p</td> </tr> <tr> <td>18 pin</td> <td>60p</td> </tr> <tr> <td>20 pin</td> <td>75p</td> </tr> <tr> <td>24 pin</td> <td>100p 150p</td> </tr> <tr> <td>28 pin</td> <td>160p 200p</td> </tr> <tr> <td>40 pin</td> <td>200p 225p</td> </tr> </tbody> </table>		DIL HEADERS		14 pin	Solder IDC 40p 100p	16 pin	50p 110p	18 pin	60p	20 pin	75p	24 pin	100p 150p	28 pin	160p 200p	40 pin	200p 225p
No of ways	Header	Receptacle	Edge Conn.																																																																																																						
10	90p	85p	120p																																																																																																						
20	145p	125p	195p																																																																																																						
26	175p	150p	240p																																																																																																						
34	200p	160p	320p																																																																																																						
40	220p	190p	340p																																																																																																						
50	235p	200p	390p																																																																																																						
Size	0.1"	0.156"																																																																																																							
2" 6-way (commodore)	—	300p																																																																																																							
2" 10-way	150p	—																																																																																																							
2" 12-way (vic 20)	—	350p																																																																																																							
2" 18-way	—	140p																																																																																																							
2" 23-way (*X81)	175p	220p																																																																																																							
2" 25-way	225p	220p																																																																																																							
2" 28-way (Spectrum)	200p	—																																																																																																							
2" 36-way	250p	—																																																																																																							
1" 43-way	260p	—																																																																																																							
2" 22-way	190p	—																																																																																																							
2" 43-way	395p	—																																																																																																							
1" 77-way	400p	500p																																																																																																							
2" 50-way (S100connr)	600p	—																																																																																																							
36 way plug Centronics (solder) 500p (IDC) 475p																																																																																																									
36 way skt Centronics (solder) 550p (IDC) 500p																																																																																																									
24 way plug IEEE (solder) 475p (IDC) 475p																																																																																																									
24 way skt IEEE (solder) 500p (IDC) 500p																																																																																																									
PCB Mtg Skt Ang Pin																																																																																																									
24 way 700p 36 way 750p																																																																																																									
DIL HEADERS																																																																																																									
14 pin	Solder IDC 40p 100p																																																																																																								
16 pin	50p 110p																																																																																																								
18 pin	60p																																																																																																								
20 pin	75p																																																																																																								
24 pin	100p 150p																																																																																																								
28 pin	160p 200p																																																																																																								
40 pin	200p 225p																																																																																																								
<table border="1"> <thead> <tr> <th colspan="2">D CONNECTORS</th> </tr> <tr> <th>Male:</th> <th>No of Ways</th> </tr> </thead> <tbody> <tr> <td>Ang Pins</td> <td>120 180 230 350</td> </tr> <tr> <td>Solder</td> <td>60 85 125 170</td> </tr> <tr> <td>IDC</td> <td>175 275 325 —</td> </tr> <tr> <th>FEMALE:</th> <th>No of Ways</th> </tr> <tr> <td>St Pin</td> <td>100 140 210 380</td> </tr> <tr> <td>Ang Pins</td> <td>160 210 275 440</td> </tr> <tr> <td>Solder</td> <td>90 130 195 290</td> </tr> <tr> <td>IDC</td> <td>195 325 375 —</td> </tr> <tr> <td>St Hood</td> <td>90 95 100 120</td> </tr> <tr> <td>Screw</td> <td>130 150 175 —</td> </tr> <tr> <td>Lock</td> <td></td> </tr> </tbody> </table>		D CONNECTORS		Male:	No of Ways	Ang Pins	120 180 230 350	Solder	60 85 125 170	IDC	175 275 325 —	FEMALE:	No of Ways	St Pin	100 140 210 380	Ang Pins	160 210 275 440	Solder	90 130 195 290	IDC	195 325 375 —	St Hood	90 95 100 120	Screw	130 150 175 —	Lock		<table border="1"> <thead> <tr> <th colspan="2">EURO CONNECTORS</th> </tr> <tr> <th>DIN 41612</th> <th>Plug Skt</th> </tr> </thead> <tbody> <tr> <td>2" 32 way St Pin</td> <td>230p 275p</td> </tr> <tr> <td>2" 32 way Ang Pin</td> <td>275p 320p</td> </tr> <tr> <td>3" 32 way St Pin</td> <td>260p 300p</td> </tr> <tr> <td>3" 32 way Ang Pin</td> <td>375p 400p</td> </tr> <tr> <td>IDC Skt A + B</td> <td>400p</td> </tr> <tr> <td>IDC Skt A + C</td> <td>400p</td> </tr> </tbody> </table>		EURO CONNECTORS		DIN 41612	Plug Skt	2" 32 way St Pin	230p 275p	2" 32 way Ang Pin	275p 320p	3" 32 way St Pin	260p 300p	3" 32 way Ang Pin	375p 400p	IDC Skt A + B	400p	IDC Skt A + C	400p	<table border="1"> <thead> <tr> <th colspan="2">GENDER CHANGERS</th> </tr> <tr> <th colspan="2">25 way D type</th> </tr> </thead> <tbody> <tr> <td>Male to Male</td> <td>£10</td> </tr> <tr> <td>Male to Female</td> <td>£10</td> </tr> <tr> <td>Female to Female</td> <td>£10</td> </tr> </tbody> </table>		GENDER CHANGERS		25 way D type		Male to Male	£10	Male to Female	£10	Female to Female	£10	<table border="1"> <thead> <tr> <th colspan="2">RS 232 JUMPERS</th> </tr> <tr> <th colspan="2">(25 way D)</th> </tr> </thead> <tbody> <tr> <td>24" Single end Male</td> <td>£5.00</td> </tr> <tr> <td>24" Single end Female</td> <td>£5.25</td> </tr> <tr> <td>24" Female Female</td> <td>£10.00</td> </tr> <tr> <td>24" Male Male</td> <td>£9.50</td> </tr> <tr> <td>24" Male Female</td> <td>£9.50</td> </tr> </tbody> </table>		RS 232 JUMPERS		(25 way D)		24" Single end Male	£5.00	24" Single end Female	£5.25	24" Female Female	£10.00	24" Male Male	£9.50	24" Male Female	£9.50																																
D CONNECTORS																																																																																																									
Male:	No of Ways																																																																																																								
Ang Pins	120 180 230 350																																																																																																								
Solder	60 85 125 170																																																																																																								
IDC	175 275 325 —																																																																																																								
FEMALE:	No of Ways																																																																																																								
St Pin	100 140 210 380																																																																																																								
Ang Pins	160 210 275 440																																																																																																								
Solder	90 130 195 290																																																																																																								
IDC	195 325 375 —																																																																																																								
St Hood	90 95 100 120																																																																																																								
Screw	130 150 175 —																																																																																																								
Lock																																																																																																									
EURO CONNECTORS																																																																																																									
DIN 41612	Plug Skt																																																																																																								
2" 32 way St Pin	230p 275p																																																																																																								
2" 32 way Ang Pin	275p 320p																																																																																																								
3" 32 way St Pin	260p 300p																																																																																																								
3" 32 way Ang Pin	375p 400p																																																																																																								
IDC Skt A + B	400p																																																																																																								
IDC Skt A + C	400p																																																																																																								
GENDER CHANGERS																																																																																																									
25 way D type																																																																																																									
Male to Male	£10																																																																																																								
Male to Female	£10																																																																																																								
Female to Female	£10																																																																																																								
RS 232 JUMPERS																																																																																																									
(25 way D)																																																																																																									
24" Single end Male	£5.00																																																																																																								
24" Single end Female	£5.25																																																																																																								
24" Female Female	£10.00																																																																																																								
24" Male Male	£9.50																																																																																																								
24" Male Female	£9.50																																																																																																								
<table border="1"> <thead> <tr> <th colspan="2">TEXTPOOL ZIF</th> </tr> <tr> <th>SOCKETS</th> <th>24-pin £7.50</th> </tr> </thead> <tbody> <tr> <td>28-pin</td> <td>£9.10</td> </tr> <tr> <td>40-pin</td> <td>£12.10</td> </tr> </tbody> </table>		TEXTPOOL ZIF		SOCKETS	24-pin £7.50	28-pin	£9.10	40-pin	£12.10	<table border="1"> <thead> <tr> <th colspan="2">DIL SWITCHES</th> </tr> </thead> <tbody> <tr> <td>4-way</td> <td>90p</td> </tr> <tr> <td>6-way</td> <td>105p</td> </tr> <tr> <td>8-way</td> <td>120p</td> </tr> <tr> <td>10-way</td> <td>150p</td> </tr> </tbody> </table>		DIL SWITCHES		4-way	90p	6-way	105p	8-way	120p	10-way	150p	<p>ATTENTION All prices in this double page advertisement are subject to change without notice. ALL PRICES EXCLUDE VAT Please add carriage 50p unless indicated as follows: (a) £8 (b) £2.50 (c) £1.50 (d) £1.00</p>																																																																																			
TEXTPOOL ZIF																																																																																																									
SOCKETS	24-pin £7.50																																																																																																								
28-pin	£9.10																																																																																																								
40-pin	£12.10																																																																																																								
DIL SWITCHES																																																																																																									
4-way	90p																																																																																																								
6-way	105p																																																																																																								
8-way	120p																																																																																																								
10-way	150p																																																																																																								

74 SERIES		74273 2.00		74LS273 1.25		74C SERIES		4076 0.65		LINEAR ICs		COMPUTER COMPONENTS																																																																																																																																																																																																																																																																																																					
7400	0.30	74276	1.00	74LS276	0.70	74C00	0.70	4077	0.25	AD7581	12.00	LM710	0.48	IB8418X1	4.00	TMS4500	14.00	EPROMs	75154	1.20	KEYBOARD	75159	2.20	ENCODERS																																																																																																																																																																																																																																																																																									
7401	0.30	74277	0.90	74LS277	0.80	74C01	0.70	4078	0.25	AD7582	12.00	LM711	0.48	IB8421	4.00	TMS4501	5.00	2516+5V	3.50	75160	5.00	AY52376	11.50	75161	3.50	AY53600	7.50	75162	4.00	75163	4.00	75164	4.00	75165	4.00	75166	4.00	75167	4.00	75168	4.00	75169	4.00	75170	4.00	75171	4.00	75172	4.00	75173	4.00	75174	4.00	75175	4.00	75176	4.00	75177	4.00	75178	4.00	75179	4.00	75180	4.00	75181	4.00	75182	4.00	75183	4.00	75184	4.00	75185	4.00	75186	4.00	75187	4.00	75188	4.00	75189	4.00	75190	4.00	75191	4.00	75192	4.00	75193	4.00	75194	4.00	75195	4.00	75196	4.00	75197	4.00	75198	4.00	75199	4.00	75200	4.00	75201	4.00	75202	4.00	75203	4.00	75204	4.00	75205	4.00	75206	4.00	75207	4.00	75208	4.00	75209	4.00	75210	4.00	75211	4.00	75212	4.00	75213	4.00	75214	4.00	75215	4.00	75216	4.00	75217	4.00	75218	4.00	75219	4.00	75220	4.00	75221	4.00	75222	4.00	75223	4.00	75224	4.00	75225	4.00	75226	4.00	75227	4.00	75228	4.00	75229	4.00	75230	4.00	75231	4.00	75232	4.00	75233	4.00	75234	4.00	75235	4.00	75236	4.00	75237	4.00	75238	4.00	75239	4.00	75240	4.00	75241	4.00	75242	4.00	75243	4.00	75244	4.00	75245	4.00	75246	4.00	75247	4.00	75248	4.00	75249	4.00	75250	4.00	75251	4.00	75252	4.00	75253	4.00	75254	4.00	75255	4.00	75256	4.00	75257	4.00	75258	4.00	75259	4.00	75260	4.00	75261	4.00	75262	4.00	75263	4.00	75264	4.00	75265	4.00	75266	4.00	75267	4.00	75268	4.00	75269	4.00	75270	4.00	75271	4.00	75272	4.00	75273	4.00	75274	4.00	75275	4.00	75276	4.00	75277	4.00	75278	4.00	75279	4.00	75280	4.00	75281	4.00	75282	4.00	75283	4.00	75284	4.00	75285	4.00	75286	4.00	75287	4.00	75288	4.00	75289	4.00	75290	4.00	75291	4.00	75292	4.00	75293	4.00	75294	4.00	75295	4.00	75296	4.00	75297	4.00	75298	4.00	75299	4.00	75300	4.00

TECHNOMIC LTD
 MAIL ORDERS TO: 17 BURNLEY ROAD, LONDON NW10 1ED
 SHOPS AT: 17 BURNLEY ROAD, LONDON NW10
 Tel: 01-723 0233 4 lines. Telex: 922800
 305 EDGWARE ROAD, LONDON W2

PLEASE ADD 50p p&p & 15% VAT
 (Export: no VAT, p&p at Cost)
 Orders from Government Depts. & Colleges etc. welcome
 Detailed Price List on request
 Stock items are normally by return of post
 Minimum Telephone Order £5

Gould... Innovation and Quality in Oscilloscopes

AN INVITATION TO MAKE DETAILED COMPARISONS



The Gould 1425 Digitising Storage Oscilloscope allows detailed comparison of active with stored waveforms, up to a frequency of 20MHz. Five reference waveforms can be held in the non-voltage memory.

Easily controlled cursors with an alpha-numeric display, enable automatic measurement of time, voltage and frequency, to be made quickly and accurately. Any on-screen data with its relevant range settings, can be quickly transferred to an external computer, via the RS423/232 Interface and recalled for reference purposes. Software 'starter packs' are available for popular personal computers.

Waveforms can also be copied directly to an analogue or digital plotter - the latter with multi-colour plots, grid and full scaling information.

For application-specific waveform processing, such as averaging (up to 256 events) filtering (over 130 stages) or mathematical manipulation and scaling, an optional keypad is available.

The 1425 is just one in a family of three instruments... **PRICES START AT LESS THAN £1000!**

To allow you to make the right price and performance comparison, please contact: Gould Electronics Ltd., Instrument Systems, Roebuck Road, Hainault, Ilford, Essex IG6 3UE. Tel: 01-500 1000. Telex: 263785.

 **GOULD**
Electronics

CIRCLE 76 FOR FURTHER DETAILS.

E.M.S. POWER SYSTEMS

NEW 1KVA
MAINS STABILIZER
AT SPECIAL
INTRODUCTORY PRICE



Solve all your Power Problems by contacting E.M.S.

E.M.S. specialise in systems to eliminate your power problems.

Products range from 35VA switched square wave Power Packs to 1KVA fully uninterruptible sine wave systems.

E.M.S. also manufacture chargers which range up to 60 amps.

For further details please contact:

E.M.S. Manufacturing Limited
Chairborough Road
High Wycombe
Bucks
Tel: (0494) 448484

CIRCLE 11 FOR FURTHER DETAILS.

AEL

AT

SPEED



TO BE CRYSTAL CLEAR

AEL CRYSTALS LTD

GATWICK HOUSE · HORLEY · SURREY · RH6 9SU
TEL: 0293 785353 TELEX: 87116 AERO G

CAA approved

CIRCLE 12 FOR FURTHER DETAILS.

ELECTRONICS & WIRELESS WORLD MARCH 1986

Memory telephone dialler

by T. Segaran

UM91610 provides number storage, last-number redialling and call-progress monitoring.

Mr Segaran was formerly with STC, working on the design of electronic telephone equipment. He is now at Tunstall Telecom, where he is involved with emergency communications equipment for the elderly.

The dialling part of this circuit is based around the UM 91610 dialler i.c. (Fig. 1(a), 2(b)), which is a low-voltage c.mos device with an operating current of $500\mu\text{A}$ and data-retention current of $3\mu\text{A}$. Timing for the dialling is derived from an RC oscillator, which has an overall variation of $\pm 5\%$. The dialling pulse rate is normally 10 pulses per second and the "mark/space" ratio 33.3/66.6 to suit the needs of the British Network,* but can be changed if necessary to meet foreign telephone network requirements: dial rate can be changed to 20 pulses per second and the mark/space to 40/60. XY matrix keyboards will interface directly to the chip.

Figure 2 shows the block diagram of the complete unit. The polarity bridge is necessary since BT do not guarantee the polarity of the direct voltage when it reaches the subscriber's home: in fact, during call set-up the polarity

* Any apparatus for connection to the public switched network must be approved by the appropriate telecommunications body. In the UK, this is BABT, the British Approvals Board for Telecommunications.

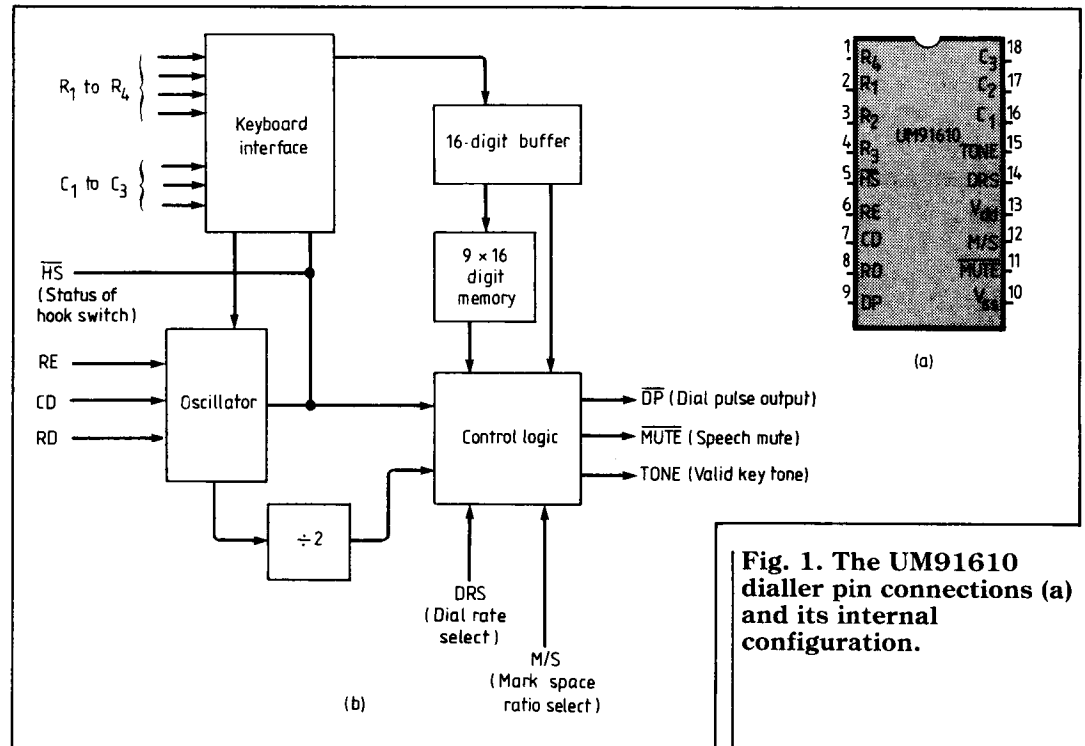


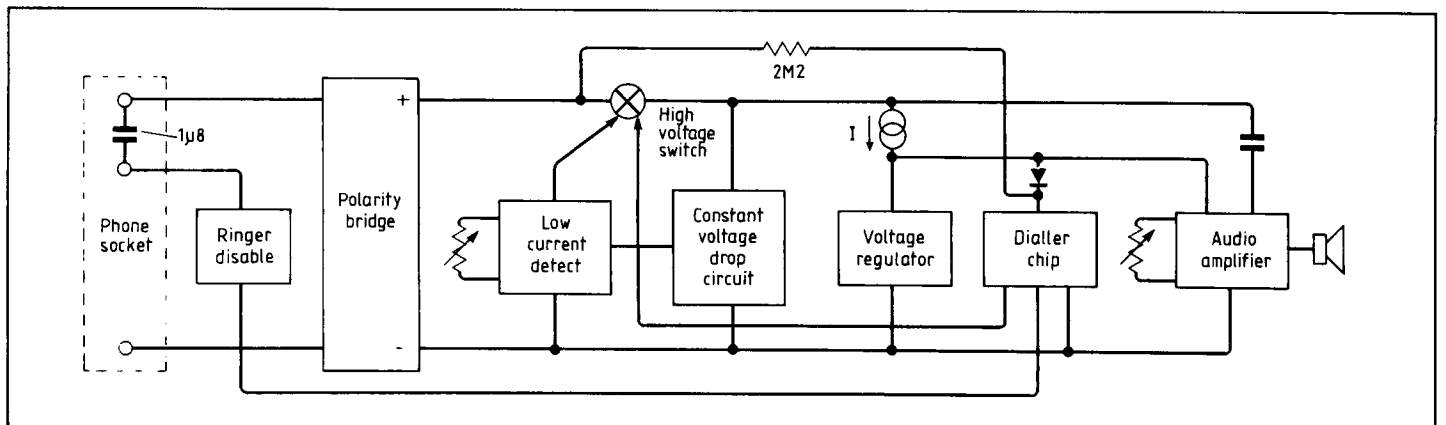
Fig. 1. The UM91610 dialler pin connections (a) and its internal configuration.

can change. The high-voltage switch shown is operated by the 'on-line' buttons: it is solid state and is used by the dialler chip to signal by breaking the line current. The need for constant voltage-drop and constant-current circuits is explained

later. Finally, the low-current detector circuit is used to turn off the high-voltage switch when a parallel 'phone is picked up. Figure 3 shows the circuit details.

Breaking and looping of the line is carried out by a high-

Fig. 2. Block diagram of the dialler unit.



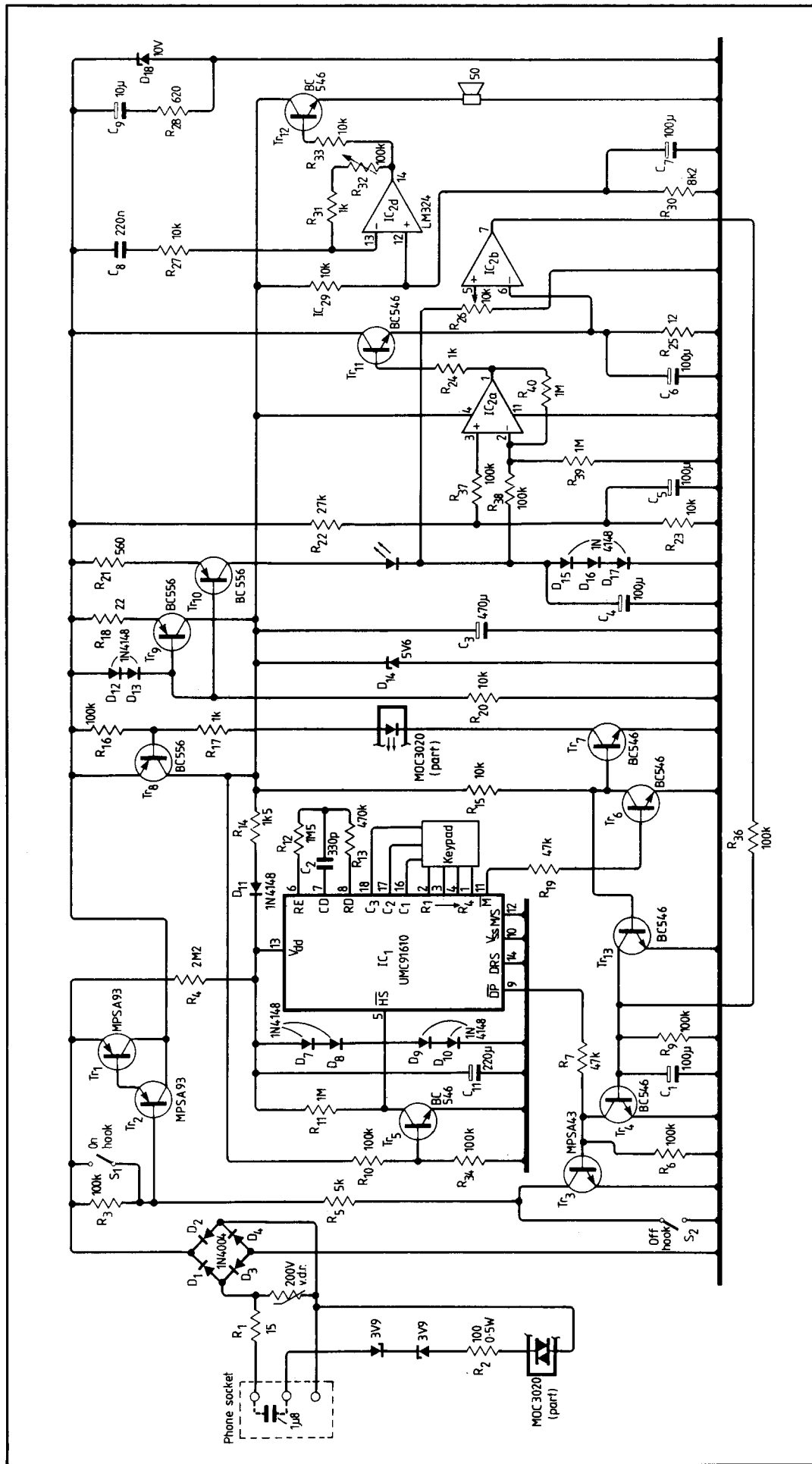


Fig. 3. Complete circuit diagram of the memory telephone dialler.

voltage bipolar device, the MPSA-93, which has a collector-emitter breakdown voltage of 300V, necessary because of the high voltage generated when the current through the exchange relay is interrupted. The voltage dependent resistor will, however, clamp this voltage to about 250V. During dialling, one needs to prevent dialling pulses from tinkling the bells on parallel-connected telephones: an optically isolated triac, the MOC 3020, controlled by Tr_6 and Tr_7 , puts a 100 ohm shunt across the 'bell-wire' during dialling. In addition to this function, the 100 ohm resistor and the 1.8 μ F capacitor found in the "master" socket provides a spark-quench circuit during dialling. The i.c. and the speech amplifier are driven from a supply derived from the line: the speech amplifier needs about 5.6V and the dialler 2.5V. The 5.6V supply is zener-regulated and supplied by a constant-current source set to about 25 mA, so that a high a.c. impedance is presented to the telephone line. The constant-current source itself is driven by a supply kept at about 7.5 volts by a feedback control circuit, formed by IC_{2a} and Tr_{11} . However, a.c. signals such as speech are decoupled by the capacitors and can be superimposed on the d.c. level. The impedance of the unit is set at roughly 600 Ω by R_{28} .

Speech amplification is carried out by IC_{2d} and Tr_{12} , with a simple volume control provided.

IC_{2b} monitors the current shunted through R_{25} , while R_{26} is set so that on a particular line, the output of IC_{2b} is low and the unit remains on line, because Tr_4 is switched off. However, when a parallel telephone is used, it shunts some of the current away, the voltage across R_{25} drops and the output of IC_{2b} goes high, which switches on Tr_4 and the circuit switches off from the line.

The dialler chip is supplied by the 5.6V regulated supply, using a resistor and diode to step the voltage down to about 2.5V. There is also a 2M2 resistor that provides the i.c. with data-retention current when the

unit is off-line. Dual pulses are taken directly to Tr_3 , which controls Tr_1 and Tr_2 , the line loop transistors. Each time the unit is placed in the off-line condition, the \overline{HS} pin of the i.c. receives an input from Tr_5 .

Using the dialler

Digits 1-9 are used for normal dialling after the *on-line* button has been operated. To place the unit in standby, either the *off-line* button or the parallel telephone is operated to start a conversation, and hence disconnect the dialler. The last number dialled can be redialled by coming on-line and pressing #0. To store a telephone number one needs to operate *, followed by the telephone number and another *. Then, the location for storage (any number from 0-9) is pressed. To recall a number from store operate #, followed by the location.

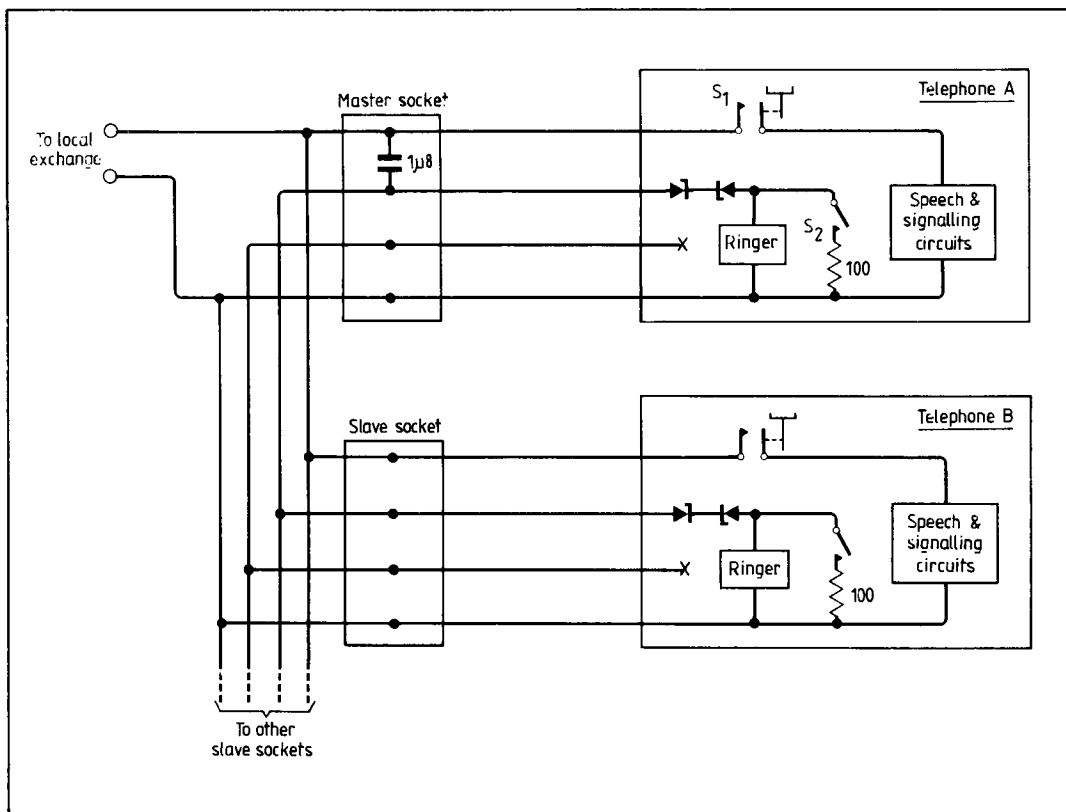


Fig. 4. British Telecom's telephone interconnection layout.

'New' interconnection scheme

To enable one to connect additional telephones on one exchange line easily, British Telecom have come up with a new wiring scheme. The wiring is a simple four-wire interconnect, connecting all sockets in parallel on any one telephone line. There is one master socket and normally up to three slave sockets on any one line. A telephone unit can be plugged into any one of the sockets to function correctly.

When telephone A (Fig. 4) is used, Sw_1 closes and draws line current. At the same time, Sw_2 closes and places 100 ohms shunt across its own ringer and also across the ringer of

- storage and easy dialling of ten, 16-digit telephone numbers.
- last number redial
- no external power source required
- monitoring of progress of call on built-in speaker, with volume control provided
- when handset on parallel telephone is lifted, unit automatically disconnects.

telephone B. Therefore the high voltages generated on the line during dialling do not cause tinkling of the bells. The ringer impedance is usually greater than $4k\Omega$.

The $1.8 \mu F$ and 100 ohm components also appear across the line and perform the spark-quench function when the current through the exchange

relay is broken during signalling. The back-to-back zeners present a high impedance to speech, while allowing ringing signals through and performing the spark quench function. When ringing voltage is present, it is fed via the $1.8 \mu F$ capacitor to telephone A, telephone B and all other ringers.

BOOKS

A First Electronics Course by R.B. Arnold. Stanley Thornes (Publishers), 86 A4-size pages, soft covers: £3.25 including post and packing from the publishers at Old Station Drive, Leckhampton, Cheltenham, GL53 0DN. Aimed at 11 to 15-year-olds, this most attractively-presented book wears its learning very lightly. Chapters cover basic electricity and electronic components, switching, amplification, electronic systems, integrated circuits and digital techniques. Throughout, the

emphasis is on the practical side. The author suggests many experiments and gives constructional details of a variety of simple projects including a burglar alarm, an intercom, a radio receiver and a binary counter. Entertainment value is very high: the pages are packed with diagrams, photographs and cartoons and at the end of most chapters there are questions or a puzzle. The book is intended for the classroom, but would be a lot of fun at home too. Very good value for money.

BBC Basic Programming for Schools and Colleges by Mark Bindley. Stanley Thornes, 170 pages, soft covers: available from the publishers at the address above for £3.65 inclusive. Systematic, thorough introduction to BBC Basic aimed at 16+ examination courses in computer studies, with flow-charts, program examples and many interesting exercises based on practical problems to investigate at the keyboard. Plenty of information and again, excellent value.

MEDICAL r.f.

The effects of electric and magnetic fields on the human body remain in dispute. With the exception of thermal effects, directly related to power, everything else still seems to be open to question. At the recent IEE conference "Electric and Magnetic Fields in Medicine and Biology" (IEE Conference Publication No 257) for every claim there seemed to be a counterclaim.

For example, Dr A.T. Barker of Sheffield University accepts that many thousands of difficult bone fractures have been cured, particularly in the USA, by treatments involving the use of low-energy, low-frequency pulsed waveforms "to stimulate bone growth", but he provided experimental evidence that the pulsed waveforms do not actually contribute significantly to the healing process since he claimed that similar successes can be achieved with the generator switched off.

Similarly, a "double-blind" clinical trial at Sheffield of pulsed 27MHz in the treatment of soft tissue injuries failed to show a statistically significant difference between those so treated and control groups on whom "dummy" machines were used. This trial was based on extensive monitoring of some 70 patients. On the other hand, the Sheffield group speak highly of magnetic stimulators, and many of the 33 papers similarly seem to show useful applications of magnetic or electric fields or currents in medicine, without any clear idea of how this comes about.

The impression is one of "service engineers attempting to diagnose and cure faults on complex (human) equipment with nothing more than a simple lay-out diagram and little or no idea of how the active devices or the test instruments actually work. It was noticeable that the references listed in the papers were invariably to medical journals rather than electronic publications, and a not very successful "marriage" of two very different disciplines.

In a session on safety, J.A.

Dennis of NRPB put forward views on allowable exposure limits for low-frequency (under 3kHz) electromagnetic fields. He points out that the existence of even slight perceptible effects, whether harmful or not, in people's homes and gardens are probably not acceptable. His suggested figure for public places is less than 12kV/m. A study at Manchester University, funded by the CEGB, sought to answer the question "Can induced 50Hz body currents affect mental functions?" The experimental results seen to be open to more than one interpretation, though it is interesting to note that the technique was tested also against the amount of alcohol drunk the previous night and that "the observation that subjects responded faster in the syntactic-reasoning test when they had had a longer night's sleep is also not unexpected." It really does seem that the human body is too complex for anyone to come up with the simple yes or no answers or even to achieve similar results to those reported elsewhere. This uncertainty was reflected also in papers on leukemia and electromagnetic fields, overhead power lines and childhood cancers. Absolute certainty was little in evidence.

50kW SOLID-STATE

The first all-solid-state v.h.f. television transmitting installation providing an r.f. output of 50kW (vision) has been taken into service by Tokyo Broadcasting System Inc (TBS) a Japanese commercial broadcaster. It has been developed jointly by TBS and Toshiba and based on 1.5kW field-effect transistor amplifiers. The installation comprises two 25kW vision transmitters, each having 20 power amplifier units plus five amplifiers in the sound section.

It has sometimes been suggested that the electronics industry has much in common with pig farming. It is all too

easy to increase production faster than demand. The past few months have underlined the problems that face manufacturers catering for a specialised market such as broadcast television studio equipment. Pye TVT Ltd which, as the broadcast company of Philips has long specialized in major turnkey studio contracts, has announced that it is discontinuing its studio systems division this year, although continuing its broadcast transmitter business. RCA, even before announcing its merger with General Electric (US), was in process of withdrawing from the broadcast market. Some months ago, GEC closed its GEC-McMichael factory at Slough, transferring only some of its television studio products back to Marconi at Chelmsford. In the USA, the broadcast industry has been pressing the National Association of Broadcasters to make the annual NAB convention more cost-effective by concentrating even more on the associated exhibition — the largest international event in the broadcasting calendar.

Pye TVT believe that the industry-wide overcapacity results from the reduced level of spending on studio systems, claiming that "there have been no new broadcast companies of significance established in recent years and the existing broadcast companies are buying more of their equipment direct from individual specialist manufacturers. The trend is away from complete systems with re-equipping of existing studios carried out on a piecemeal basis." The many independent production companies on the West Coast of the USA have increasingly ceased to be captivated by the claims of "new technology", except where this offers something entirely new or reduces costs significantly, and are retaining colour cameras for 10-15 years or more operational service. "If it ain't broke why fix it?" is the current attitude. Japanese manufacturers have captured a large share of this market,

although Link Electronics claim to have received over 50 orders for their new 130 automated camera in its first year of production. It is often claimed, however, that sales need to reach several hundred before a new model becomes profitable. The broadcast transmitter market is benefitting from the improved efficiency now possible with klystron amplifiers, capable of substantially reducing overall power costs both for new installations and as retrofits.

Although the studio and broadcast transmitter market is small in comparison with some other segments of electronics, it remains a significant element in the diminishing part of the civilian "high-tech" industry in which the UK still retains advanced research, design and production capability in an increasingly competitive international market. How long this will continue remains to be seen.

FCO GIVE UP ORFORDNESS

In the September 1984 Communications Commentary I noted the proposal to transfer responsibility for the high-power broadcast transmitters at Orfordness, Crowborough, Cyprus and Masirah Island from the Foreign and Commonwealth Office to the BBC. The plant to "cut" FCO staff by transferring them to the BBC was, however, resisted both by those concerned and also by the BBC who were not anxious to take on more staff at a time when they were actively cutting down their own engineering departments. It was not until July 1985 that an interim arrangement was announced, and talks are still continuing.

The present plan seems to be that the BBC will provide management and technical support from April for Orfordness. Crowborough has been closed down. There is to be no change in the status of the Cyprus and Oman relay stations but managerial

Amateur Radio

responsibility will pass to the BBC. Some members of the FCO broadcast group are being transferred to other Civil Service departments, some to the BBC and some face early retirement or being made redundant. The FCO broadcast engineering centre in Buckinghamshire is to close.

The closing of Crowborough is the end of what started as "a big hole in the ground" in 1942. The underground Aspidistra transmitter was first used in November that year at the time of the "Torch" landings in North Africa. A feature of the RCA 600kW transmitter was the speed at which it could change frequency for purposes of "black broadcasting". It has been claimed that by operating at periods on the Rabat Vichy-controlled frequency it succeeded in misleading the Royal Navy into assuming that Rabat, Morocco was already in Allied hands! Whether the "black" announcements had other more useful results is open to question — but the Crowborough transmitter certainly provided many listeners in south-east England with excellent reception of the BBC World Service over many years. A growing problem, however, was seepage of water into the "big hole".

Crowborough was also the site of a special wartime v.l.f. communications link with North America. Later it was for this circuit that the original version of the Piccolo radio-teleprinter system was developed by the Diplomatic Wireless Service, now incorporated into the FCO Communications Branch.

WIDE-WORLD OF E.M.C.

The increasing recognition that much that is typed on an electric or electronic keyboard is vulnerable to "bugging" from outside the building will do something to persuade manufacturers to do more to reduce radio frequency interference from business and personal computers. The

military have been forced into taking the stringent precautions laid down by "Tempest" that can put the cost of a small computer installation into the five-figure bracket. This form of interception can defeat any form of enciphering within the computer. Some of the recent low-cost word processors put out sufficient r.f. to interfere with the weak-signal reception over a considerable area.

The 7th International Zurich symposium and technical exhibition on "electromagnetic compatibility" is scheduled for March 3-5, 1987. A recent "call for papers" listed the topics now covered by the term e.m.c. as including the social and economic impact; electromagnetic pollution, control and enforcement; spectrum economy and management; national and international co-operation; immunity of electronic systems; biological effects of medical electronics; nuclear electromagnetic pulse (nemp) impact; and even "emp education".

VIDEO DISCS

Although the capacitive-type video type disc of RCA failed to attract consumers in the USA and the UK and the LaserVision player has so far made few inroads on the VCR market, Japanese firms are reporting increasing sales of both formats in their home market and are continuing to develop new techniques and applications. Toshiba is planning h.d.tv systems for both disc and tape (barium ferrite) and a 40-inch screen. The disc is on the LaserVision-based approach. Victor and Sharp are hoping to market "three-dimensional" VHD videodiscs for which the viewer would wear high-speed liquid-crystal glasses to which would be fed a switching signal. Each side of the disc plays for 30 minutes. Videodiscs suitable for recording as well as playback are also in the pipeline although unlikely to reach the market for a year or two.

50MHz OPENED

The 50.0 to 50.5MHz band was officially released to all British "Class A" amateurs on February 1. The DTI has promised to review the position, especially in regard to including Class B licence holders, after the first year.

Maximum power must not exceed a carrier of 14dBW (25 watts) effective radiated power or peak envelope power 20dBW (100 watts) e.r.p. The earlier higher-power experimental permits for non-television hours have been withdrawn. There are now no time limits but a number of restrictions have been imposed initially in order to minimize the possibility of interference to European Band 1 (channel E2) transmissions, with particular reference to the low-power System B/PAL transmitter at Antwerp, Belgium (vision carrier 48.25MHz, sound carrier 53.75MHz, 0.1/0.01kW e.r.p. with vertical polarization). Restrictions include: maximum transmitting antenna height above ground of 20 metres; horizontal polarization only; no mobile, portable or "temporary premises" operation; no "repeater installations". There are however no special restrictions on times or modes of operation. Within the UK, amateurs will be regarded as the "primary" users of the band.

"The DTI have indicated that individual exemptions from the "20m above ground level" rule may be made for amateurs living in high-rise flats. Reciprocal licensing for 50MHz is not possible in Region 1 where the primary use in countries other than the UK remains television broadcasting.

The results achieved over the past few years by UK amateurs holding the "night-time" 50MHz experimental permits, together with the use of this band by amateurs in Regions 2 and 3, have underlined that interesting anomalous propagation conditions at such frequencies including occasional ionospheric reflection, even in

sunspot minimum years, which can result in long-distance "openings". The band is also excellent for Sporadic E and meteor scatter propagation and has unique characteristics at what, in effect, is the true junction of h.f. and v.h.f.

LIMITED E.R.P.?

The imposition, at least during a trial period, of a power limit on 50MHz in the form 14dBW carrier or 20dBW p.e.p. e.r.p. may seem logical enough from an administrative viewpoint but highlights, once again, the problems of adopting such criteria for amateur stations. In practice there is no way in which the average amateur can "measure" his effective radiated power, which must therefore be derived from a series of calculations based in many cases on manufacturers' specifications or blind guesswork.

The gain of the antenna, the attenuation of the feeder, the losses in antenna tuning units, the efficiency of the power amplifier are seldom known with any degree of certainty even by those who are fully conversant with the term "effective radiated power". Output power meters are not mandatory and low-cost units often have a wide tolerance, particularly when the answer is multiplied by a high-gain antenna.

The attenuation of a coaxial cable and the associated plugs and sockets may increase significantly over a period of months or years. Home-built and factory antennas seldom have the gain that theory predicts.

Then again, when it is a question of potential interference to continental television, the antenna height above ground is only one factor. Height above sea level in relation to intervening hills is more significant.

I suspect that a random check on how many Class A licensed amateurs fully understand the 50MHz regulations would prove embarrassing to all concerned.

PAT HAWKER, G3VA

by K. Lewis
M.I.E.R.E.

Level-translating full-wave rectifiers

Using transistors as rectifiers to provide high-impedance output and isolation between source and load.

Deriving full-wave, or even half-wave, rectified signals, usually requires compromises and a liberal use of diodes. A rectified output signal is often derived from a peak detecting circuit which exhibits a non-linear output impedance.

A simple circuit was developed by the author in which the rectifiers are transistors and the output is a high impedance current source. This enables level translating without capacitive coupling and also provides isolation between the output load and the driving source.

From this circuit a number of related circuits were developed including two precision voltage-to-current magnitude converters, the first of which employs one op-amp and the second two.

The circuits shown in Figs 1(a) and (b) use only four components each to produce output currents I_+ or I_- , proportional to the magnitude of a voltage source $|V_s|$. In terms of generalized solution it is convenient to label the two inputs as ports A and B, and the outputs as ports C and D as shown. In the circuits illustrated, port B is shown grounded via the dotted line and the signal is applied to port A. Voltages V_+ and V_- , with respect to 0V, are the supply voltages to which the rectified currents are returned. Any output load may be inserted at port C or D.

The operation of the p-n-p fullwave rectifier is shown in Fig. 1(b): ignore the dotted line connections to Fig 1(a). When V_s is positive, Tr_3 is cut off and Tr_4 is driven in the common base mode. Tr_4 base will be close to 0V and Tr_4 emitter is clamped positive, at a potential effectively equal to the voltage

drop across a diode. This voltage for Tr_4 is denoted by V_{be4} . The resulting current in the collector of Tr_4 therefore approximates to $I_{C4} = (V_s - V_{be4})/R_1$.

When V_s is negative, Tr_4 is cut off and Tr_3 is driven in the common-emitter mode. The base-emitter voltage, V_{be3} , is now subtracted from the source voltage, so that Tr_3 collector current, I_{C3} , approximates to $(V_s - V_{be3})/R_2$. If $R_2 = R_1$ and $V_{be4} = V_{be3} = V_{be}$, then the combined output current will approximate to:

$$I_- = (|V_s| - V_{be})/R_1 \text{ for } |V_s| > V_{be} \quad (1)$$

For $|V_s| < V_{be}$, the output current is comparatively small and non-linear.

Equation 1 represents a full-wave-rectified current output with some distortion introduced by V_{be} . In a practical circuit, resistance R_1 must include the output resistance of the voltage source so that V_s is, in effect, the open circuit voltage. The output current is, of course, essentially independent of V_- and in the more general solution I_- or I_+ is proportional to the differential voltage $|V_{AB}|$.

As the base-emitter junction of one transistor limits the reverse base-emitter voltage on the other, V_s can be considerable and is limited by the normal collector voltage ratings of the transistors used. However, in the limit, any load resistor R_L connected to port D must be small enough and the negative supply large enough to ensure that Tr_3 does not bottom on the peak negative excursion of V_s .

In normal operation the load introduced by the rectifier to V_s changes between R_1 plus one diode drop for positive V_s , to $(B_3 + 2)R_1$ plus one diode drop for negative V_s , where B_3 equal the

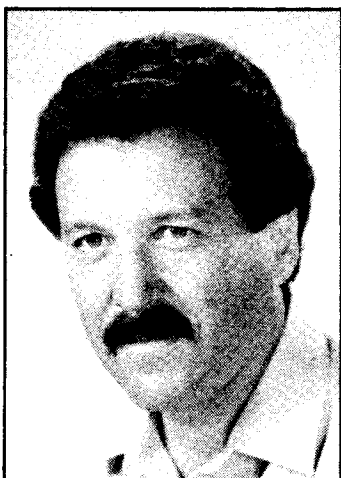
current gain of Tr_3 . In effect, the voltage source supplies half-wave current to the rectifier and therefore the source must provide a d.c. return path to V_- . If the return path is a low impedance op-amp, for example, there will normally be no problem.

A balanced-input load may be regarded as a load presented by the rectifier which is independent of the polarity of V_s . This may be achieved by combining p-n-p and n-p-n rectifiers as shown by the dotted lines in Fig. 1. With this circuit, simultaneous complementary rectified outputs are available.

In the circuits shown in Fig. 2 (a) and (b), resistors R_1 and R_2 are placed directly in series with the emitters of the transistors. The circuits are similar in operation to those of Fig. 1 and equation 1 still approximates to the output current. The two bases are now connected directly to the voltage source and 0V and the circuits can therefore expect to have an improved frequency response. The disadvantage of this is that both base-emitter junctions are reversed biased to the maximum source voltage. Therefore if $|V_s|$ exceeds 5V, the base-emitter junction can be expected to zener, which is normally undesirable. In the case of a practical circuit where the source resistance R_s cannot be ignored, an additional resistor equal to R_s can be included between 0V and R_2 to retain the circuit balance.

In Fig. 2, the load seen by the source voltage varies in a similar manner to that of Fig. 1. Again, balanced operation is achieved by combining n-p-n and p-n-p circuits as shown by the dotted lines. If with this circuit the corresponding

The author
Mr Lewis started his career at Plessey, Ilford, where he designed a v.h.f. synthesizer. In 1973, he joined Grinaker Electronics in South Africa, where he is now group leader with responsibility for design and development of frequency synthesizers



emitters are also joined, as indicated, and one pair of resistors R_1 and R_2 are removed, the combined circuit is both simplified and improved. This circuit, shown in Fig. 3, has an elegant simplicity to which a parallel can be drawn with a conventional four-diode bridge rectifier. The transistor version, however, develops high impedance current outputs, whilst the diode version usually develops low impedance voltage outputs. As the reverse base emitter voltages of each transistor are limited with this circuit, the voltage limitations of the circuit of Fig. 1 are applicable.

Depending on the choice of components, all the circuits shown in Fig. 1, 2 and 3 can operate up to several megahertz and, with a sinusoidal source, can exhibit excellent rejection of the fundamental frequency. The performance of practical circuits are detailed in the appendix.

Consider now the operation of the circuit in Fig. 3 when it is driven by a high-impedance current source, I_s , applied to port A, and port B is connected to 0V. I_s comprises the current in R_1 plus the small bias current flowing into the base of Tr_2 . A positive voltage V_{AB} will be set up due to the voltage drop across R_1 and the voltage V_{be4} .

Tr_2 combined with R_2 forms a current mirror and similar currents are established in both R_1 and R_2 . These currents will be close to the value of I_s if the current gains of the respective transistors are high. The current matching between transistors Tr_2 and Tr_4 also depends on the matching of

their V_{be} v I_C characteristics. If I_s is reversed, a similar negative voltage V_{AB} is set up. It is apparent that the current in any pair of transistors will closely approximate to I_s and the largest source of error which was V_{be} for the constant voltage source, is now reduced to the respective voltage offsets. It is interesting to note that if all the transistors were matched, the two resistors R_1 and R_2 could be reduced to zero. However, in a practical circuit these resistors are always necessary as they also serve to increase the output impedance of each transistor.

The ideal current source can be approached in the feedback of an op-amp. The circuit shown in Fig. 4 incorporates the circuit of Fig. 3 to produce a precision voltage-magnitude-to-current converter. In this circuit port A has become a virtual earth. This now enables the bases of Tr_2 and Tr_3 to be connected directly to 0V, which considerably improves the accuracy of the circuit. Now the current I_s , equal to V_s/R_s , only feeds R_1 and is no longer required to bias Tr_2 and Tr_3 . These transistors are now outside the feedback path and effectively operate as current mirrors to Tr_1 and Tr_4 . The op-amp's current drive capability must be equal to the maximum value of I_s .

Transistors are now available with minimum current gains of at least 200 and the largest source of error in this circuit is likely to be their voltage offsets. The contribution of this offset can be reduced by increasing R_1 and R_2 . However, as I_s is reduced these offsets again become significant.

The final circuit shown in Fig.

5 eliminates the error due to these discrete transistor offsets by employing a second op-amp in the non-inverting mode. If the two source resistors, R_{s1} and R_{s2} , are equal, the currents injected into both pairs of emitters are equal regardless of the transistors' offsets. Since these offsets are no longer important even greater

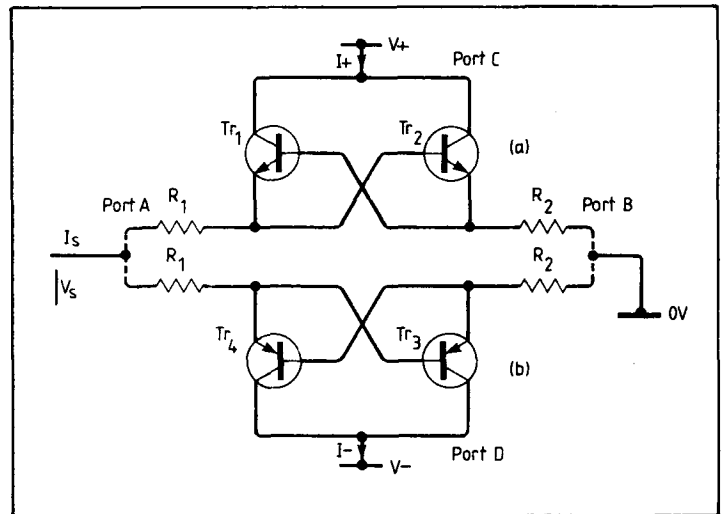


Fig. 1 N-p-n full-wave rectifier at (a) sinks current I_+ , while p-n-p circuit at (b) sources current I_-

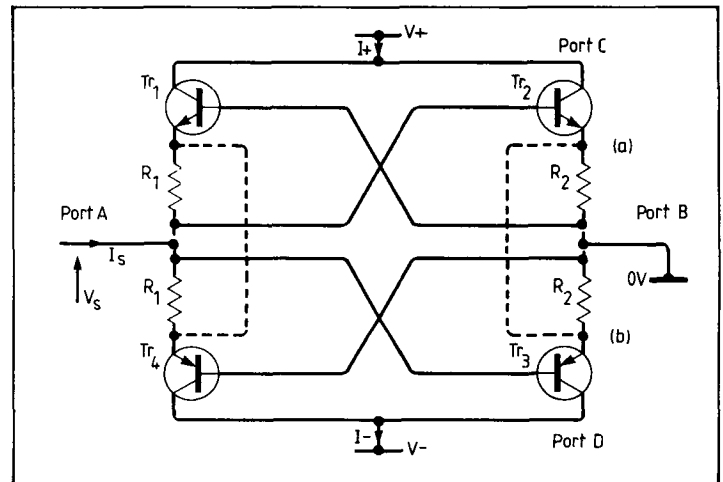


Fig. 2. N-p-n(a) and p-n-p alternative solutions in which the bases are driven directly by the signal.

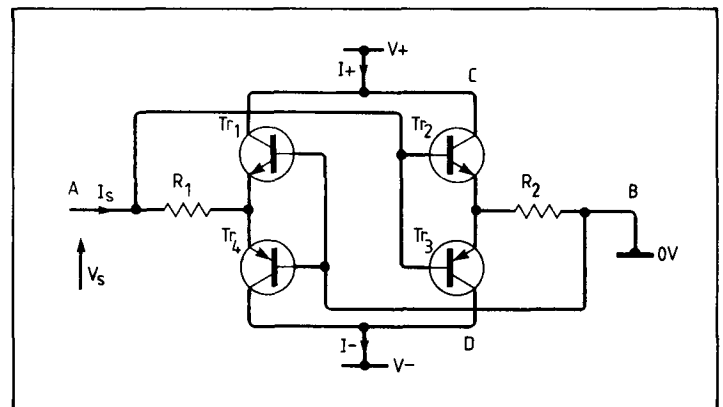


Fig. 3. Full-wave rectifier providing a balanced load to the signal and complementary rectified currents.

Rejection of fundamental in circuits shown

	1 kHz rej	f_o at -40dB	f_o at -30dB	f_o for $2f_o$ out -0.5dB	f_o for d.c. -0.5dB
Fig. 1(b) p-n-p	-52dB	653 kHz	2.24 MHz	3.36 MHz	3.68 MHz
Fig. 2(b) p-n-p	-58dB	1.16 MHz	3.3 MHz	4.6 MHz	9.34 MHz
Fig. 3 n-p-n	-66dB	2.04 MHz	6.38 MHz	4.8 MHz	7.26 MHz
p-n-p	-67dB	1.26 MHz	3.31 MHz	4.79 MHz	7.15 MHz
Fig. 4 n-p-n	-56dB	62.6 kHz	186 kHz	456 kHz	304 kHz
p-n-p	-58dB	62.6 kHz	208 kHz	460 kHz	308 kHz
Fig. 5 n-p-n	-58dB	93.6 kHz	265 kHz	382 kHz	402 kHz
p-n-p	-66dB	99.3 kHz	265 kHz	631 kHz	487 kHz

Fig. 4. Precision voltage-magnitude-to-current converter, which incorporates the circuit of Fig. 3.

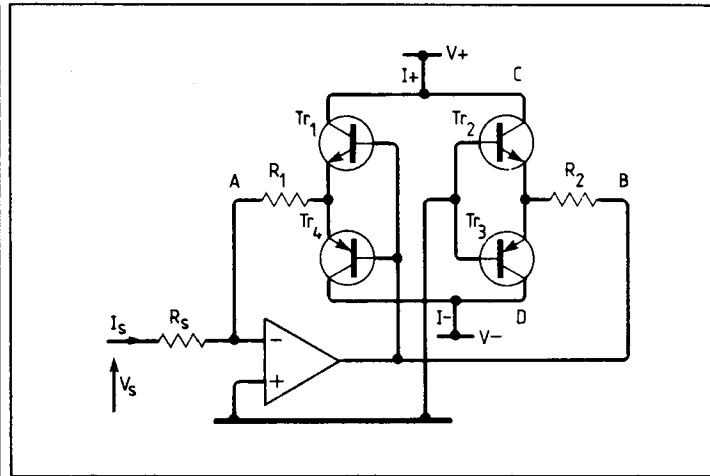
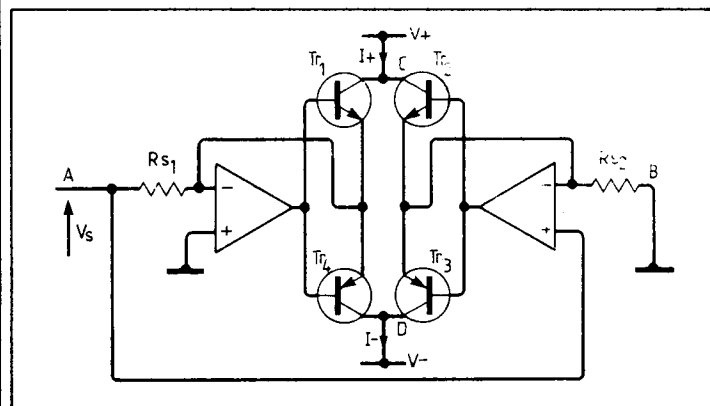


Fig. 5. Precision voltage-magnitude-to-current converter, in which the errors due to the discrete transistor voltage offsets have been removed.



accuracy may be achieved by employing darlington transistors or enhancement-mode mosfets in place of the discrete transistors shown. Another advantage of this circuit is that the op-amp's current-drive capability need only be limited to the bias currents of the transistors employed.

If only I_+ or I_- is required, it is tempting to simplify the circuits by removing apparently redundant transistors. For example, in Fig. 4, if only I_- is required, Tr_2 can be removed and Tr_1 can be replaced by a

diode. The ideal diode would however be formed from a third p-n-p transistor with its base and collector shorted and connected to the emitter of Tr_4 and its emitter connected to the base of Tr_1 . With this arrangement the op-amp is now required to source twice the current I_s . Although it may now appear attractive to use three similar transistors, at higher levels of I_s the temperature of Tr_3 will exceed that of the transistor diode, resulting in increased V_{be} offsets. In Fig. 4, Tr_1 and Tr_3 will dissipate comparatively similar powers and with a discrete circuit solution, temperature tracking can be expected to be quite reasonable. Also in a practical circuit the frequency response of the circuit in Fig. 4 is superior to the simplified version.

All the circuits shown may be practically utilized. As the transistors employed are essentially current steering or reverse biased the frequency performance can be very good. In the case of the op-amp circuits, for high frequency operation, high slew rate op-amps should be used to minimize rectifying errors in the region where the signal source reverses its polarity. For optimum perfor-

mance discrete transistors should be matched and resistors close toleranced. However good results were obtained in actual circuits as shown in the appendix using unmatched transistors.

Appendix

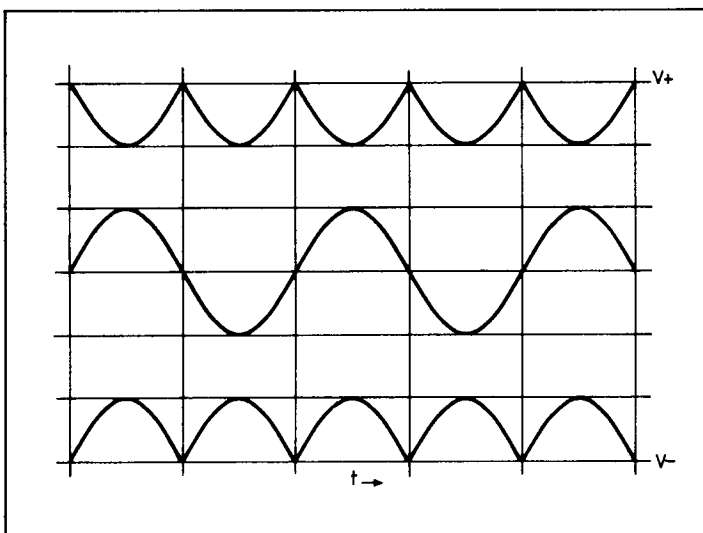
The static and low-frequency operation of the circuits discussed may be fairly easily predicted, so the table below presents only the frequency-response performance. To simplify presentation the same transistors and resistors were used for each circuit. Close tolerance 1k resistors were used throughout and these include the load resistors, not shown in the circuits, inserted at ports C and D. This value gives an incremental voltage gain approaching unity. The complementary transistors employed were 2N3906 and 2N3904 which are p-n-p and n-p-n respectively. These do not necessarily represent the optimum choice, particularly for the op-amp circuits. The supply voltages were set to plus and minus 15V and a TL072 dual op-amp was used.

For all the circuits, the 10V peak to peak sine wave used was obtained from a Wavetek function generator type 142 which exhibited a second harmonic distortion of -57dB that was approximately constant up to 100 kHz. The d.c. component of this signal was reduced to less than 5mV using the generator offset control before directly coupling this source to each circuit under test.

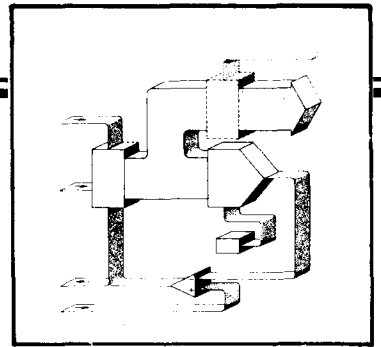
For the circuits in Figs 1, 2 and 3, compensation was included for the 50 ohm generator source resistance as described above. A HP8568B spectrum analyser with a 5k probe was used to measure each frequency component.

Perhaps the most useful measurement to make when assessing full-wave rectifier frequency performance is the rejection of the fundamental frequency. The first column of the table gives the rejection measured at f_0 equal to 1 kHz. Columns 2 and 3 gives f_0 for which the fundamental was rejected by 40dB and 30dB respectively. Column 4 gives the frequency f_0 for which the fundamental output frequency, equal to $2f_0$, dropped by 0.5dB.

Fig. 6 Waveforms obtained from circuits of Figs 4 and 5.



Data conversion



This supplement to January's data conversion feature is the second and final part of a comprehensive list of d-to-a and a-to-d converters and modules.

Digital-to-analogue converters form the first part of this table and analogue-to-digital converters the second. Devices from manufacturers in the first part of the alphabet appeared last month.

Note that there are some discrepancies between specifications of devices with the same type number but from different manufacturers. This is often because some manufacturers quote the most attractive figures and others quote typical ones, but some devices are intentionally different, having, for example, a shorter

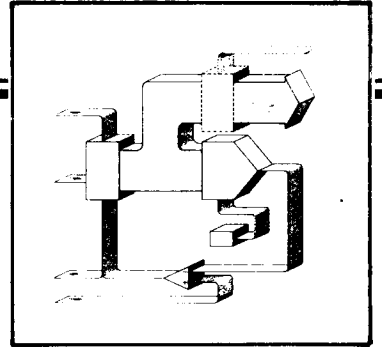
conversion time or consuming less power. Where full specifications were available, we chose typical figures for the table.

Burr Brown had a particularly unlucky time last month. The company's data-book supplement arrived too late for us to use, and on top of that, our computer decided to ignore the final section of the data that we did have. Burr Brown also changed addresses on 1 February.

Digital-to-analogue converters

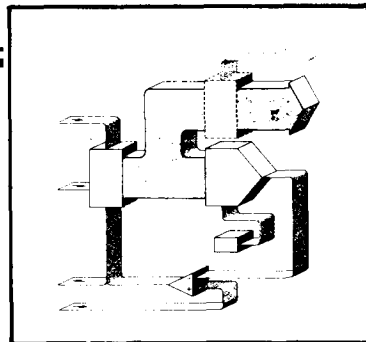
Manufacturer	Device	Bits	Speed	Interface	Tech.	Features	
Burr Brown II	DAC70BH	16	<15 μ	Par.	Monol.	$\pm 0.003\%$ lin. DAC70, I o/p, 14bit monotonic	
	DAC72BH	16	<10 μ	Par.	Monol.	V/I o/p (10/3 μ s) DAC70, $\pm 0.003\%$ nonlinearity	
	DAC705	16	<8 μ	Latch	Hyb.	Int. ref., $\pm 5V$ output, $< \pm 0.003\%$ f.s. lin.	
	DAC710	16	350n	Par.	Monol.	Servo-appl., low diff. lin. error near bip. zero	
	DAC711	16	<8 μ	Par.	Monol.	As DAC710 but voltage output	
	DAC800/I	12	300n	Par.	Monol.	Int. ref., 2 I o/p ranges, $\pm 1/2$ bit linearity	
	DAC800/V	12	<5 μ	Par.	Monol.	Int. ref., 5 V o/p ranges, $\pm 1/2$ bit linearity	
	DAC811	12	<4 μ	Proc.	Monol.	Int. ref., 5 V o/p ranges, $\pm 1/2$ bit linearity	
	DAC812	12	55n	Par.	Hyb.	Int. ref., -10 or $\pm 5mA$ o/p, $\pm 1/2$ bit linearity	
	DAC850/I	12	300n	Par.	Monol.	Int. ref., 2 I o/p ranges, -55 to 125°C option	
	DAC850/V	12	<5 μ	Par.	Monol.	Int. ref., 5 V o/p ranges, -55 to 125°C option	
	DAC1200	12	7 μ	Par.	Monol.	Int. ref., low cost, $\pm 10V$ output	
	DAC1201	12	7 μ	Latch	Monol.	Int. ref., $\pm 10V$ o/p, 4/8/12/16bit interface	
	DAC1600	16	10 μ	Par.	Monol.	Int. ref., 15/14bit monotonic, $\pm 10V$ output	
	PCM51/I	16	350n	Par.	Hyb.	Audio 0.0025% f.s. t.h.d., 96dB range, $\pm 5mA$ o/p	
	PCM51/V	16	5 μ	Par.	Hyb.	Audio 0.0025% f.s. t.h.d., 96dB range, ± 5 - $\pm 10V$ o/p	
	PCM52	16	5 μ	Par.	Monol.	Audio 0.002% f.s. t.h.d., 96dB range, $\pm 5V$ output	
	PCM53/I	16	350n	Par.	Monol.	Aud. 0.002% t.h.d., int. ref., 1mA o/p, 96dB range	
	PCM53/V	16	5 μ	Par.	Monol.	As PCM53/I but $\pm 10V$ output	
	PCM54	16	5 μ	Par.	Monol.	Audio, 96dB dynamic range, $\pm 0.001\%$ diff. lin. err.	
	PCM55	16	5 μ	Par.	Monol.	Audio, similar to PCM54 but low power	
	MPS	MP370	18	2 μ	Latch	Hyb.	Mult., I o/p, 60mW 15V supply, 0.0008% f.s. lin.
		MP377-18	18	20 μ	Latch	Hyb.	10 or $\pm 10V$ o/p, int. ref., 0.0008% f.s. linearity, 0.5W
MP562		12	1.5 μ	Par.	Bip.	$\pm 0.006\%$ f.s. error, 2mA o/p, 200mW	
MP3140		14	2 μ	Par.	C-mos	Mult., $\pm 0.006\%$ f.s. linearity, I o/p, 30mW, 2ppm gain t.c.	
MP5520		6	3.0 μ	Par.	Monol.	=DAC01, 10, ± 5 or $\pm 10V$ o/p opts, int. ref., 250mW	
MP7520		10	500n	Par.	C-mos	Mult., 20mW 5-15V supply, I o/p, $\pm 0.05\%$ f.s. lin.	
MP7521		12	500n	Par.	C-mos	Mult., 20mW 5-15V supply, I o/p, $\pm 0.05\%$ f.s. lin.	
MP7522		10	500n	Proc.	C-mos	Mult., $\pm 0.05\%$ f.s. lin., I o/p, 20mW, serial load	
MP7523		8	100n	Par.	C-mos	Mult., I o/p, 10mW, $\pm 0.05\%$ f.s. linearity	
MP7524		8	100n	Proc.	C-mos	Mult., $\pm 0.05\%$ f.s. linearity, 5-15V supply, 10mW, I out	
MP7528		8x2	80n	Par.	C-mos	Mult., $\pm 0.02\%$ error, I o/p, 15mW, 10ppm gain t.c.	
MP7530		10	500n	Par.	C-mos	Mult., I o/p, 20mW, 5-15V supply, $\pm 0.05\%$ f.s. lin.	
MP7531		12	500n	Par.	C-mos	Mult., I o/p, 20mW, 5-15V supply, $\pm 0.05\%$ f.s. lin.	
MP7533		10	600n	Par.	C-mos	Mult., I o/p, 30mW, 5-15V supply, $\pm 0.05\%$ f.s. lin.	
MP7541		12	1 μ	Par.	C-mos	Mult., I o/p, 20mW, $\pm 0.012\%$ f.s. linearity	
MP7542		12	1 μ	Proc.	C-mos	I o/p, $\pm 0.012\%$ error, 2ppm gain t.c., 20mW	
MP7543		12	1 μ	Ser/par.	C-mos	I o/p, $\pm 0.012\%$ error, 2ppm gain t.c., 20mW	
MP7545		12	1 μ	Par.	C-mos	Mult., I o/p, $\pm 0.012\%$ error, 2ppm gain t.c., 20mW	
MP7614		14	2 μ	Par.	C-mos	Mult., I o/p, $\pm 0.006\%$ error, 10ppm gain t.c., 40mW	
MP7616		16	2 μ	Par.	C-mos	Mult., I o/p, $\pm 0.006\%$ error, 10ppm gain t.c., 40mW	
MP7621		12	1 μ	Par.	C-mos	Mult., I o/p, $\pm 0.012\%$ error, 0.5ppm gain t.c., 20mW	
MP7622		12	1 μ	Latch	C-mos	Mult., I o/p, $\pm 0.012\%$ error, 2ppm gain t.c., 40mW	
MP7623		12	1 μ	Par.	C-mos	Mult., I o/p, $\pm 0.012\%$ error, 0.5ppm gain t.c., 20mW	
MP7628		8	500n	Par.	C-mos	Mult., I o/p, $\pm 0.05\%$ error, 2ppm gain t.c., 25mW	
MP7633		10	500n	Par.	C-mos	Mult., I o/p, $\pm 0.05\%$ error, 2ppm gain t.c., 20mW	
MP7636		16	1 μ	Par.	C-mos	Mult., I o/p, $\pm 0.03\%$ error, 2ppm gain t.c., 100mW	
MP9331		16	2 μ	Latch	Hyb.	Mult., I o/p, $\pm 0.0008\%$ error, 60mW 15V supply	
MP9377-16	16	20 μ	Latch	Hyb.	V o/p, $\pm 0.0008\%$ error, 5ppm gain t.c., int. ref., 500mW		
Motorola	AD562	12	1 μ	Par.	Bip.	Mult., I o/p, $\pm 1/2$ or $\pm 1/4$ l.s.b. error opts, range pins	
	AD563	12	1.2 μ	Par.	Bip.	Mult., I o/p, $\pm 1/2$ or $\pm 1/4$ l.s.b. err. opts, int. ref. & range pins	
	DAC-08	8	150n	-	Bip.	Mult., $\pm 1/2$ to ± 1 l.s.b. error & 135ns opts	
	MC1406	6	300n	-	Bip.	Mult., $\pm 1/2$ l.s.b. error	
	MC1408	8	300n	-	Bip.	Mult., $\pm 1/2$ to ± 2 l.s.b. error opts, 5 & -15V supply	
	MC1306	6	300n	-	Bip.	Mult., $\pm 1/2$ l.s.b. error, wide temp. range	
	MC1308	8	300n	-	Bip.	Mult., $\pm 1/2$ to ± 2 l.s.b. err. opts, 5 & -15V supp., wide temp. rng	
	MC3410	10	250n	-	Bip.	Mult., $\pm 1/2$ or ± 1 l.s.b. error opts, 5 & -15V supply	
	MC3412	12	400n	-	Bip.	$\pm 1/2$ l.s.b. error, $\pm 15V$ supply, int. apps resistors	

DATA CONVERSION



* Advance information

Manufacturer	Device	Bits	Speed	Interface	Tech.	Features
	MC3510	10	250n	-	Bip.	Mult., $\pm\frac{1}{2}$ l.s.b. error, 5 & -15V supply wide temp. range
	MC3512	12	400n	-	Bip.	$\pm\frac{1}{2}$ l.s.b. err., $\pm 15V$ supply, int. apps resistors, wide temp. rng.
	MC6890	8	300n	Proc.	Bip.	$\pm\frac{1}{2}$ l.s.b. error, ± 5 to $\pm 10V$ supply
	MC6890A	8	300n	Proc.	Bip.	$\pm\frac{1}{2}$ l.s.b. error, ± 5 to $\pm 10V$ supply, int. ranging resistors
	MC10318	8	10n	Par.	Bip.	± 1 or ± 2 l.s.b. error opts, -5.2V supply, e.c.l. i/p
	MC144110	6x4	-	Ser.	C-mos	$\pm 2\%$ error, 4.5-15V supply
	MC144111	6x6	-	Ser.	C-mos	$\pm 2\%$ error, 4.5-15V supply
Mullard	Am6012	12	250n	Par.	Bip.	Mult., 4mA o/p, $\pm 0.025\%$ error, 250mW
	DAC-08	8	<135n	Par.	Bip.	Mult., I o/p, ± 0.1 to $\pm 0.39\%$ f.s. error opts, 33mW
	MC1408-7	8	70n	Par.	Bip.	Mult., I o/p, $\pm 0.39\%$ f.s. error, 5/-15V supply
	MC1408-8	8	70n	Par.	Bip.	Mult., I o/p, $\pm 0.19\%$ f.s. error, 5/-15V supply
	MC1808-8	8	70n	Par.	Bip.	As 1408-8 but wide temperature range
	MC3410	10	250n	Par.	Bip.	Mult., I o/p, ± 0.1 & $\pm 0.05\%$ f.s. err. opts, 5/-15V supp.
	MC3510	10	250n	Par.	Bip.	As above but wide temp. range ($\pm 0.05\%$ f.s. error)
	NE5018	8	2.3 μ	Latch	Bip.	$< \pm 0.19\%$ error, ± 5 or 10V o/p, internal reference
	NE5019	8	2.3 μ	Latch	Bip.	$< \pm 0.1\%$ error, ± 5 or 10V o/p, internal reference
	NE5020	10	5 μ	Proc.	Bip.	± 5 or 10V o/p, $< \pm 0.1\%$ error, internal reference
	NE5118	8	200n	Latch	Bip.	$< \pm 0.19\%$ error, 2mA o/p, internal reference
	NE5119	8	200n	Latch	Bip.	$< \pm 0.1\%$ error, 2mA o/p, internal reference
	NE5410	10	250n	Par.	Bip.	Mult., I o/p, $< \pm\frac{1}{2}$ l.s.b. error
	PNA7518 *	8	5n	Par.	N-mos	Video 20MHz samp., 7V o/p, 5V supply, $\pm\frac{1}{2}$ l.s.b. error
	TDA1540D	14	500n	Ser.	Bip.	Audio 85dB s/n, internal ref., $\frac{1}{2}$ l.s.b. err., 12Mbit/s
NEC	μ PD7011-1	8	1 μ	Proc./ser.	N-mos	Int. ref., 5V supp., 1mA o/p, 3/4 l.s.b. lin.
Nat. Semicon.	AD7520	10	500n	Par.	C-mos	Mult., I o/p, 20mW, 5-15V supply
	AD7521	12	500n	Par.	C-mos	Mult., I o/p, 20mW, 5-15V supply
	AD7530	10	500n	Par.	C-mos	Mult., I o/p, 20mW, 5-15V supply
	AD7531	12	500n	Par.	C-mos	Mult., I o/p, 20mW, 5-15V supply
	DAC0800	8	100n	Par.	Bip.	Mult., ± 5 - $\pm 15V$ supp. 33mW, I o/p, $\pm 0.19\%$ f.s. lin.
	DAC0801	8	100n	Par.	Bip.	Mult., ± 5 - $\pm 15V$ supp. 33mW, I o/p, $\pm 0.39\%$ f.s. lin.
	DAC0802	8	100n	Par.	Bip.	Mult., ± 5 - $\pm 15V$ supp. 33mW, I o/p, $\pm 0.1\%$ f.s. linearity
	DAC0806	8	150n	Par.	Bip.	Mult., ± 5 - $\pm 15V$ supp. 33mW, I o/p, $\pm 0.78\%$ f.s. linearity
	DAC0807	8	150n	Par.	Bip.	Mult., ± 5 - $\pm 15V$ supp. 33mW, I o/p, $\pm 0.39\%$ f.s. lin.
	DAC0808	8	150n	Par.	Bip.	Mult., ± 5 - $\pm 15V$ supp. 33mW, I o/p, $\pm 0.19\%$ f.s. lin.
	DAC0830	8	1 μ	Proc.	Bip.	4-q. mult., 5-15V supply, 20mW, I o/p, $\pm 0.05\%$ f.s. lin.
	DAC0831	8	1 μ	Proc.	Bip.	4-q. mult., 5-15V supply, 20mW, I o/p, $\pm 0.1\%$ f.s. lin.
	DAC0832	8	1 μ	Proc.	Bip.	4-q. mult., 5-15V supply, 20mW, I o/p, $\pm 0.2\%$ f.s. lin.
	DAC1000	10	500n	Proc.	Bip.	Mult., 5-15V supply, 20mW, I o/p, $\pm 0.05\%$ f.s. linearity
	DAC1001	10	500n	Proc.	Bip.	Mult., 5-15V supply, 20mW, I o/p, $\pm 0.1\%$ f.s. linearity
	DAC1002	10	500n	Proc.	Bip.	Mult., 5-15V supply, 20mW, I o/p, $\pm 0.2\%$ f.s. linearity
	DAC1006	10	500n	Proc.	Bip.	As 1000 but for right just. data only
	DAC1007	10	500n	Proc.	Bip.	As 1001 but for right just. data only
	DAC1008	10	500n	Proc.	Bip.	As 1002 but for right just. data only
	DAC1020	10	500n	Par.	C-mos	4-q. mult., I o/p, $\pm 0.05\%$ f.s. linearity, 10mW
	DAC1021	10	500n	Par.	C-mos	4-q. mult., I o/p, $\pm 0.1\%$ f.s. linearity, 10mW
	DAC1022	10	500n	Par.	C-mos	4-q. mult., I o/p, $\pm 0.2\%$ f.s. linearity, 10mW
	DAC1200	12	300n	Par.	Bip.	I or V o/p modes, $\pm 0.01\%$ f.s. err., int. ref. 2.5 μ s conv. for V o/p, $\pm 12V$ o/p
	DAC1201	12	300n	Par.	Bip.	I or V o/p modes, $\pm 0.05\%$ f.s. err., int. ref. 2.5 μ s conv. for V o/p, $\pm 12V$ o/p
	DAC1208	12	1 μ	Proc.	C-mos	4-q. mult., I o/p, 5-15V supp., $\pm 0.012\%$ f.s. lin., 20mW
	DAC1209	12	1 μ	Proc.	C-mos	4-q. mult., I o/p, 5-15V supp., $\pm 0.024\%$ f.s. lin., 20mW
	DAC1210	12	1 μ	Proc.	C-mos	4-q. mult., I o/p, 5-15V supp., $\pm 0.05\%$ f.s. linearity, 20mW
	DAC1218	12	1 μ	Par.	Bip.	4-q. mult., I o/p, 5-15V supply, $\pm 0.012\%$ f.s. lin., 20mW
	DAC1219	12	1 μ	Par.	Bip.	4-q. mult., I o/p, 5-15V supply, $\pm 0.024\%$ f.s. lin., 20mW
	DAC1220	12	500n	Par.	C-mos	4-q. mult., I o/p, $\pm 0.05\%$ f.s. linearity, 10mW
	DAC1221	12	500n	Par.	C-mos	4-q. mult., I o/p, $\pm 0.1\%$ f.s. linearity, 10mW
	DAC1222	12	500n	Par.	C-mos	4-q. mult., I o/p, $\pm 0.2\%$ f.s. linearity, 10mW
	DAC1230	12	1 μ	Proc.	C-mos	4-q. mult., I o/p, 5-15V supp., $\pm 0.012\%$ f.s. lin., 20mW
	DAC1231	12	1 μ	Proc.	C-mos	4-q. mult., I o/p, 5-15V supp., $\pm 0.024\%$ f.s. lin., 20mW
	DAC1232	12	1 μ	Proc.	C-mos	4-q. mult., I o/p, 5-15V supp., $\pm 0.05\%$ f.s. lin., 20mW
	DAC1265	12	200n	Par.	C-mos	$\pm 15V$ supply, $\pm 0.006\%$ linearity, I o/p
	DAC1265A	12	200n	Par.	C-mos	$\pm 15V$ supply, $\pm 0.012\%$ linearity, I o/p
	DAC1280	12	300n	Par.	Bip.	2mA o/p, $\pm 0.024\%$ lin., int. ref. & R's for 5 rngs of V
	DAC1280A	12	300n	Par.	Bip.	2mA o/p, $\pm 0.012\%$ linearity, int. ref. & R's for 5 rngs of V
Plessey	SP9768	8	5n	Par.	Bip.	Mult., $\pm\frac{1}{2}$ l.s.b. err., I o/p, e.c.l. comp. i/ps, int. ref.
	SP9770	10	12n	Par.	Bip.	Mult., $\pm\frac{1}{2}$ l.s.b. err., I o/p, e.c.l. comp. i/ps, int. ref.
PMI	DAC8012	12	1 μ	Proc.	C-mos	5-15V supply, $\pm\frac{1}{2}$ or 1 bit linearity options, current output
	PM562	12	1.5 μ	Par.	Bip.	$\pm\frac{1}{2}$ or $\pm\frac{1}{4}$ l.s.b. linearity options, low power AD562
	PM7524	8	300n	Proc.	C-mos	4-q. mult., 5-15V supp., $\pm\frac{1}{2}$ or $\frac{1}{4}$ l.s.b. lin. opts, 5mW @ 5V
	PM7528	8x2	180n	Proc.	C-mos	Dual 1% match, I o/p, 4-q. mult., 5-15V supply, $\pm\frac{1}{2}$ l.s.b. lin.
	PM7533	10	600n	Par.	C-mos	4-q. mult., I o/p, $\pm\frac{1}{2}$ or 1 l.s.b. linearity options,
	PM7541	12	1 μ	Par.	C-mos	4-q. mult., I o/p, $\pm\frac{1}{2}$ l.s.b. linearity, 5-15V supply
	PM7545	12	1 μ	Latch	C-mos	Mult., 5-15V supply, $\pm\frac{1}{2}$ l.s.b. linearity, current output
	PM7645	12	1 μ	Latch	C-mos	As above but optimized for 15V supply
STC	UVC3100	10	-	Par.	-	Combined 8bit a-to-d and 10bit d-to-a converter with internal references and buffers for tv and fast digital processing, 38MHz clock
	UVC3101	8	-	Par.	-	As above but 8bit for both a-to-d & d-to-a conversion
Siemens	SDA8005	8	7n	Par.	Bip.	5.2V supply, e.c.l. input, 40mA output
Silicon Gen.	ZDA1600	16	8 μ	-	Mod.	4 V & 2 I o/p ranges, 0.4ppm/ $^{\circ}$ C differential lin. t.c.
	ZDA1800	18	15 μ	-	Mod.	4 V & 2 I o/p ranges, 0.2ppm/ $^{\circ}$ C differential lin. t.c.
Sony	CX20051A	10	-	Latch	Bip.	Video 30MHz clock, 62 Ω o/p, ± 0.8 l.s.b. diff. lin.
TRW	TDC1018	8	7n	Par.	Bip.	125MHz sampling video 75 Ω o/p, e.c.l. i/p, $\pm\frac{1}{2}$ l.s.b. lin.
	TDC1334	4x3	10n	Par.	Bip.	100MHz sampling video 75 Ω o/p, int. ref., $\pm\frac{1}{2}$ l.s.b. lin.
	TDC1335	4	7n	Par.	Bip.	125MHz sampling video 75 Ω o/p, 5V supply, $\pm\frac{1}{2}$ l.s.b. lin.



Analogue-to-digital converters

Manufacturer	Device	Bits	Speed	Interface	Tech	Meth.	Features
Burr Brown II	ADC80H	12	25µ	Ser/par	Hyb.	S.a.	Low power ADC80
	ADC574	12	25µ	Proc.	Hyb.	S.a.	4 input ranges, 150ns bus access time
	ADC600	12	100n	Par.	Hyb.	Flash	Internal s-&-h, >70dB s/n, low power
	ADC674	12	15	Proc.	Hyb.	S.a.	4 input ranges, 150ns bus access time
MPS	MP7550	13	40m	Proc.	C-mos	Q.slo.	Ratiom., 1ppm/C, ±1 l.s.b. acc., 9mW
	MP7570	10	40µ	Proc.	C-mos	S.a.	Ratiom., ±0.05% f.s. acc., 40mW
	MP7574	8	15µ	Proc.	C-mos	S.a.	Ratiom., 5V supply, 25mW, internal clock
	MP7581	8x8	66µ	Proc.	C-mos	Flash	8-inp. mpx, 64-bit mem., ratiom., 40mW
	MP7682	6	33n	Par.	C-mos	Flash	¼bit lin., 15/25/30MHz opts, 130mW, 3-8V supp.
	MP7683	8	100n	Par.	C-mos	Flash	¼bit lin., 5/10MHz opts, 75mW, 3-8V supp.
	MP7684	8	50n	Par.	C-mos	Flash	¼bit lin., 20MHz samp., 3-8V supp., 0.3W
	MP7685	11	500n	Par.	C-mos	Flash	¼bit lin., 2MHz samp., 3-8V supp., 0.15W
Motorola	MC6108	8	2µ	Proc.	Bip.	-	Int. ref., ±5, 5 or 10V i/p, ±½ l.s.b. err.
	MC10315	7	66n	Par.	Bip.	Flash	½ l.s.b. err., 1-2V p-p i/p, ±5V supp.
	MC10317	7	66n	Par.	Bip.	Flash	As 10315 but expandable to 8bit
	MC10319	8	50n	Par.	Bip.	Flash	½ l.s.b. err., 2V p-p i/p, Int. gray code
	MC14433	3½dig	40m	Par.	C-mos	2-sl.	±0.05% error, 5-8V supply
	MC14442	8x12	32µ	Proc.	C-mos	S.a.	12 ch. mpx, ±½ l.s.b. err., 5V supp.
	MC14443	8-10	300µ	Proc.	C-mos	1-sl.	Sing. slope, 6-ch. mpx, ±0.3% err., 4-18V supp.
	MC14444	8x16	32µ	Proc.	C-mos	S.a.	16 ch. mpx, ±½ l.s.b. err., 5V supp.
	MC145040	8x11	50µ	Ser.i/o	C-mos	S.a.	Fully serial, Ratiom., ±½ l.s.b. err., 5V supp.
	MC145041	8	50µ	Ser i/o	C-mos	S.a.	As above but internal clock.
	MC145402	13	5µ	Ser.	C-mos	S.a.	Codec chip to 32kHz, 9bit lin., int. ref./s.h.
Mullard	NE5034	8	17µ	Par. 3s	Bip.	S.a.	Internal clock, <±½ l.s.b. err.
	NE5036	6	23µ	Ser. 5s	Bip.	S.a.	<±½ l.s.b. err., 5V supp., 30MΩ typ. i/p, 8 pin i.c.
	NE5037	6	9µ	Par. 3s	Bip.	S.a.	<±½ l.s.b. err., 5V supp., 30MΩ typ. i/p
	PNA7509	4	-	Par. 3s	Bip.	Flash	22MHz samp., 0/V flow o/p/s, 2's comp. or bin. o/p
NEC	µPD7001	8	140µ	Ser.	C-mos	S.a.	4 ch. mpx, 1GΩ i/p, 5V supp., auto-scale, 0.8% lin.
	µPD7002	10	5m	Proc.	C-mos	Integ.	4 ch. mpx, 1GΩ i/p, 5V supp., auto-scale, 15mW
	µPD7002-1	10	5m	Proc.	C-mos	Integ.	As 7002 but 0.1% f.s. err. not 0.2%
	µPD7003	8	4µ	Proc.	C-mos	Flash	250kHz samp., ±1.25 l.s.b. err., 5V 50mA supp.
	µPD7004	8	50µ	Proc.	C-mos	S.a.	8-ch., par/ser. i/o, 1 l.s.b. lin., 5V supp., 15mW
National Semi.	ADC0800	8	100µ	Proc.	Mos	S.a.	Ratiom., ±5 or 0-10V i/p, ±1bit lin. err.
	ADC0801	8	110µ	Proc.	C-mos	S.a.	Ratiom., int. ck., diff. 5V i/p, 5V supp., ±¼bit err.
	ADC0802/3	8	110µ	Proc.	C-mos	S.a.	Ratiom., int. ck., diff. 5V i/p, 5V supp., ±¼bit err.
	ADC0804	8	110µ	Proc.	C-mos	S.a.	Ratiom., int. ck., diff. 5V i/p, 5V supp., ±1bit err.
	ADC0805	8	110µ	Proc.	C-mos	S.a.	As ADC804 but works with 5V reference
	ADC0808	8	100µ	Proc.	C-mos	S.a.	8-ch. mpx, ratiom., 5V supp. & i/p, int. ck., ±¼bit err.
	ADC0809	8	100µ	Proc.	C-mos	S.a.	8-ch. mpx, ratiom., 5V supp. & i/p, int. ck., ±1bit err.
	ADC0811	8x11	52µ	Proc./ser.	Bip.	S.a.	11-ch. mpx, 5V supp., simul. ser. i/o, ±½ or 1bit err.
	ADC0816	8	100µ	Proc.	C-mos	S.a.	16-ch. mpx, ratiom., 5V supp. & i/p, int. ck., ±¼bit err.
	ADC0817	8	100µ	Proc.	C-mos	S.a.	16-ch. mpx, ratiom., 5V supp. & i/p, int. ck., ±1bit err.
	ADC0831B	8	52µ	Par./ser.	Bip.	S.a.	Ratiom., ser. i/o, 5V diff. i/p, 5-9V supp., ±¼bit err.
	ADC0831C	8	52µ	Par./ser.	Bip.	S.a.	Ratiom., ser. i/o, 5V diff. i/p, 5-9V supp., ±1bit err.
	ADC0832B	8	32µ	Par./ser.	Bip.	S.a.	2-ch. mpx, ser. i/o, 5-9V supp., ±¼bit err. 5V i/p
	ADC0832C	8	32µ	Par./ser.	Bip.	S.a.	2-ch. mpx, ser. i/o, 5-9V supp., ±1bit err. 5V i/p
	ADC0833B	8	32µ	Par./ser.	Bip.	S.a.	4-ch. mpx, ser. i/o, 5-9V supp., ±¼bit err. 5V i/p
	ADC0833C	8	32µ	Par./ser.	Bip.	S.a.	4-ch. mpx, ser. i/o, 5-9V supp., ±1bit err. 5V i/p
	ADC0834B	8	32µ	Par./ser.	Bip.	S.a.	4-ch. mpx, ser. i/o, 5-9V supp., ±¼bit err. 5V i/p
	ADC0834C	8	32µ	Par./ser.	Bip.	S.a.	4-ch. mpx, ser. i/o, 5-9V supp., ±1bit err. 5V i/p
	ADC0838B	8	80µ	Par./ser.	Bip.	S.a.	8-ch. mpx, ser. i/o, 5-9V supp., 5V i/p, ±¼bit err.
	ADC0838C	8	80µ	Par./ser.	Bip.	S.a.	8-ch. mpx, ser. i/o, 5-9V supp., 5V i/p, ±1bit err.
	ADC0844	8x4	40µ	Proc.	C-mos	S.a.	4-ch. mpx, 5V supp., ratiom., int. ck., 15mW
	ADC0848	8x8	40µ	Proc.	C-mos	S.a.	8-ch. mpx, 5V supp., ratiom., int. ck., 15mW
	ADC1001B	10	200µ	Proc.	C-mos	S.a.	Diff. i/p., ratiom., ref=±Vcc, var. i/p span, ±¼bit err.
	ADC1001C	10	200µ	Proc.	C-mos	S.a.	Diff. i/p., ratiom., ref=±Vcc, var. i/p span, ±1bit err.
	ADC1021B	10	200µ	Proc.	C-mos	S.a.	As 1001B but 10bit data bus, not 8bit multiplexed
	ADC1021C	10	200µ	Proc.	C-mos	S.a.	As 1001C but 10bit data bus, not 8bit multiplexed
	ADC1080	10	21µ	Par.	Bip.	S.a.	Diff. i/p., int. ck/ref., 4 i/p rngs, ±¼bit err.
	ADC1205	12+1	100µ	Proc.	C-mos	S.a.	12bit + sign in 2 bytes, 5V i/p & supp., 25mW, ±0.012% err.
	ADC1210	12	100µ	Par.	C-mos	S.a.	5 to ±15V supp., 200kΩ i/p with range R's, ±¼bit err.
	ADC1211	12	100µ	Par.	C-mos	S.a.	5 to ±15V supp., 200kΩ i/p with range R's, ±1bit err.
	ADC1205	12+1	100µ	Proc.	C-mos	S.a.	12bit + sign in 1 byte, 5V i/p & supp., 25mW, ±0.012% err.
	ADC1280	12	25µ	Par.	Bip.	S.a.	Diff. i/p., int. ck/ref., 4 i/p rngs, ±¼bit err.
	ADC3511	3½d	200m	Proc.	-	Integ.	3½-digit, 2V i/p, 5V supp., 0.05% error
	ADC3711	3½d	400m	Proc.	-	Integ.	3½-digit, 2V i/p, 5V supp., 0.05% error
	ADD3501	3½d	200m	7s led	-	-	3½-digit led d.v.m. 2V i/p, 5V supp., 0.05% err.
	ADD3701	3½d	400m	7s led	-	-	3½-digit led d.v.m., 2V i/p, 5V supp., 0.05% err.
OKI	M9M5204R3	8	82.5µ	Proc.	C-mos	S.a.	Int. s-&-h, ±½ l.s.b. err., 5V 0.9mA supp.
Plessey	SF9754	4	10n	Latch	Bip.	Flash	110MHz samp., e.c.l. comp. o/p, encod. for 8bit exp.
	SF9756-6	6	9n	Latch	Bip.	Flash	110MHz samp., e.c.l. comp. o/p, -5.2V supp., int. ref.
	SF9756-8	6	9n	Latch	Bip.	Flash	As above but expandable to 8bit.
PMI	ADC910	10	6µ	Proc.	Bip.	S.a.	Int. ref./ck, 4 i/p rngs, ±½ l.s.b. err.
Panasonic Ind.	AN6855	4	50n	Par.	Bip.	Flash	20MHz samples, t.t.l. o/p
	AN6856	6	50n	Par.	Bip.	Flash	35MHz samples, e.c.l. o/p
	AN6857	8	50n	Par.	Bip.	Flash	35MHz samples, e.c.l. o/p
	AN6859	10	50n	Par.	Bip.	Flash	20MHz samples, 2V i/p, 53dB quant. noise
STC	UVC3100	8	40n	Par.	Bip.	Flash	Combined 8bit flash a-to-d & 10bit d-to-a conv. with references and buffers for tv & fast dig. proc., 38MHz clk

DATA CONVERSION

Manufacturer	Device	Bits	Speed	Interface	Tech	Meth.	Features
Siemens	UVCS101	8	40n	Par.	Bip.	Flash	As UVCS101 but 8bit d-to-a converter
	SDA5200N	6	10n	Par.	Bip.	Flash	100MHz samp., e.c.l. o/p, 0.55W, ±5V supp., ±¼ l.s.b. lin.
	SDA5200S	6	10n	Par.	Bip.	Flash	As 5200N but overflow does not block remaining o/p/s
	SDA6020	6	40n	Par.	Bip.	Flash	50MHz samp., e.c.l. o/p, 0.5W, ±5V supp., ±¼ l.s.b. lin.
Silicon Gen.*	SDA8010	8	10n	Par.	Bip.	Flash	100MHz samp., e.c.l. o/p, 1.3W, ±5V supp., 1V pk-pk i/p
	ZAD2735	18	5µ	Par.	Bip.	Subbrng.	Module, int. ref. & s-&-h, ±¼ l.s.b. lin., ±0.005% t.h.d.
	ZAD2736	16	5µ	Par. 3s	Bip.	Subbrng.	Module, int. ref. & s-&-h, ±¼ l.s.b. lin., ±0.005% t.h.d.
Siliconix	ZAD2836	16	3.5µ	Par. 3s	Bip.	Subbrng.	Module, int. ref. & s-&-h, ±¼ l.s.b. lin., ±0.003% t.h.d.
	Si520	8x8	70µ	Proc.	C-mos	S.a.	8-ch. mpx, int. s-&-h, 5V supp., ratiom.
	Si602	8x8	25µ	Proc.	C-mos	S.a.	8-ch. mpx, int. s-&-h, 2.5mW, 10V i/p
Sony	Si860	8x8	25µ	Proc.	C-mos	S.a.	8-ch. mpx, int. s-&-h, 5V supp., ratiom.
	BX1200A	8	50r	Par.	Hyb.	Flash	20MHz samp. vid. hyb., int. s-&-h, e.c.l. o/p
TRW	CKA1016P	8	33n	Par.	Bip.	Flash	50MHz samp. vid., 35pF i/p, 420mW, ±¼ l.s.b. err.
	CKA1036P	8	20n	Par.	Bip.	Flash	50MHz samp. vid., 35pF i/p, 550mW, ±¼ l.s.b. err.
	CKA1066K	8	20n	Par.	Bip.	Flash	As 20116 but chip-carrier package
	CX20018	16x2	2.2µ	Par./ser.	Bip.	2-sl.	44kHz p.c.m. stereo, 1.7W, 12V supp.
	CX20052A	8	50n	Par.	Bip.	Flash	20MHz samp. vid., 70pF 20µA bias i/p
	CX20116	8	20n	Par.	Bip.	Flash	100MHz samp. vid., 35pF i/p, 1.2W
	CX20220-1	10	50n	Par.	Bip.	Flash	20MHz samp. vid., 350mW
Teledyne **	TDC1046	6	40n	Par.	Bip.	Flash	25MHz samp., 2's comp. or true o/p, ±¼ l.s.b. lin.
Texas	TSC500	4½d	4µ	Compar.	C-mos	Integ.	Auto-z. analogue processor
	TSC800	15+1	0.4	Proc/ser.	C-mos	Integ.	15bit+sign, int. ck/ref., uart ctrl signals
	TSC7109	12+1	0.13	Proc/ser	C-mos	Integ.	12bit+sign, int. ck/ref., uart ctrl signals
	TSC8700	8	1.25m	Latch	C-mos	Integ.	<±¼ l.s.b. err., 20mW, strobed or free-run
	TSC8701	10	5m	Latch	C-mos	Integ.	<±¼ l.s.b. err., 20mW, strobed or free-run
	TSC8702	12	20m	Latch	C-mos	Integ.	<±¼ l.s.b. err., 20mW, strobed or free-run
	TSC8703	8	1.25m	3s latch	C-mos	Integ.	<±¼ l.s.b. err., 20mW, strobed or free-run
	TSC8704	10	5m	3s latch	C-mos	Integ.	<±¼ l.s.b. err., 20mW, strobed or free-run
	TSC8705	12	20m	3s latch	C-mos	Integ.	<±¼ l.s.b. err., 20mW, strobed or free-run
	ADC0801	8	100µ	Proc.	C-mos	S.a.	Ratiom., int. ck., diff. 5V i/p, 5V supp., ±¼bit err.
	ADC0802/3	8	100µ	Proc.	C-mos	S.a.	Ratiom., int. ck., diff. 5V i/p, 5V supp., ±¼bit err.
	ADC0804	8	100µ	Proc.	C-mos	S.a.	Ratiom., int. ck., diff. 5V i/p, 5V supp., ±¼bit err.
	ADC0805	8	100µ	Proc.	C-mos	S.a.	As ADC0804 but works with 5V ref.
	ADC0808	8	100µ	Proc.	C-mos	S.a.	8-ch. mpx, ratiom., 5V supp. & i/p, int. ck., ±¼bit err.
	ADC0809	8	100µ	Proc.	C-mos	S.a.	8-ch. mpx, ratiom., 5V supp. & i/p, int. ck., ±¼bit err.
ADC0831A	8	<84µ	Par./ser.	Bip.	S.a.	Ratiom., ser. i/o, 5V diff. i/p, 5-9V supp., ±¼bit err.	
ADC0831B	8	<84µ	Par./ser.	Bip.	S.a.	Ratiom., ser. i/o, 5V diff. i/p, 5-9V supp., ±¼bit err.	
ADC0832A	8	<84µ	Par./ser.	Bip.	S.a.	2-ch. mpx, ser. i/o, 5V supp., ±¼bit err., 15mW	
ADC0832B	8	<84µ	Par./ser.	Bip.	S.a.	2-ch. mpx, ser. i/o, 5-9V supp., ±¼bit err., 15mW	
ADC0834A	8	<84µ	Par./ser.	Bip.	S.a.	4-ch. mpx, ser. i/o, 5-9V supp., ±¼bit err., 15mW	
ADC0834B	8	<84µ	Par./ser.	Bip.	S.a.	4-ch. mpx, ser. i/o, 5-9V supp., ±¼bit err., 15mW	
ADC0838A	8	<84µ	Par./ser.	Bip.	S.a.	8-ch. mpx, ser. i/o, 5-9V supp., 15mW, ±¼bit err.	
ADC0838B	8	<84µ	Par./ser.	Bip.	S.a.	8-ch. mpx, ser. i/o, 5-9V supp., 15mW, ±¼bit err.	
TL0808	8	100µ	Par. 3s	C-mos	S.a.	8-ch. As ADC0808 but 300µW	
TL0809	8	100µ	Par. 3s	C-mos	S.a.	As TL0808 but ±1 l.s.b. err. not ±¼ l.s.b.	
TL500	13	-	-	-	C-mos	2-sl.	Analogue proc. for TL502, TL503 or micro.
TL501	10-12	-	-	-	C-mos	2-sl.	Analogue proc. for TL502, TL503 or micro.
TL502	4½d	-	-	-	C-mos	-	4½-dig. 7-seg. o/p dig. processor
TL503	-	-	-	-	C-mos	-	Mpx b.c.d. o/p dig. processor
TL505	8-10	-	-	-	C-mos	2-sl.	Analogue proc. for TL502, TL503 or micro.
TL507	7	-	Proc.	-	C-mos	1-sl.	P.w.m. converter, 5-18V supply, 8 pin
TL530	8	300µ	Par. 3s	-	C-mos	S.a.	10 anal. & 6 anal./dig. i/ps, ±¼ l.s.b. err., 15mW
TL531	8	300µ	Par. 3s	-	C-mos	S.a.	10 anal. & 6 anal./dig. i/ps, ±¼ l.s.b. err., 15mW
TLC532A	8	15µ	Par. 3s	-	L/C	S.a.	5 anal. & 6 anal./dig. i/ps, ±¼ l.s.b. err., 6mW typ.
TLC533A	8	30µ	Par. 3s	-	L/C	S.a.	5 anal. & 6 anal./dig. i/ps, ±¼ l.s.b. err., 6mW typ.
TLC540	8	12µ	Ser.	-	L/C	S.a.	11 analogue i/ps, ±¼ l.s.b. err., 6mW typ.
TLC541	8	26µ	Ser.	-	L/C	S.a.	11 analogue i/ps, ±¼ l.s.b. err., 6mW typ.
TLC549	8	19µ	Ser.	-	L/C	S.a.	±¼ l.s.b. err., 6mW typ., 8pin device.

* Silicon General's subsidiary, Analog Solutions, designs a-to-d and d-to-a converters to suit applications.
 ** Teledyne, Intersil and Ferranti manufacture a-to-d converters for driving display devices.

Data conversion product suppliers and manufacturers

Addresses

Burr Brown 1 Millfield House Woodshot's Meadow Watford Herts WD1 8YX	Honeywell Control Systems Honeywell Hse Charles Sq. Bracknell Berks RG12 1EB	National Semicon. 301 Harpur Centre Horne Lane Bedford MK40 1TR	Plessey Semicons Crowdys Hill Estate Kembrey Street Swindon Wilts SN2 6BA	Siliconix Morrison Swansea SA6 6NE	Teknis (Intech) Teknis Hse. Meadow Godalming Surrey GU7 3HQ	TRW HiTek Electronics Beadle Trading Est. Ditton Walk Cambridge CB5 8QD
Design Consultancy West Hill The Street Cottesey Norwich NR8 5DF	Micro Power Sys. Orion House 49 High St. Aldlestone Surrey KT15 1TU	Maxim, see Dialogue	PMI Bourns Electronics Hodford Hse. 17 High St. Hounslow Middx TW3 1TE	Hakuto International (Sony) Hakuto Hse. 159a Chase Side Enfield Middx. EN2 0PW	Teledyne Heathrow House Bath Rd. Cranford Hounslow Middx.	Unitrode 6 Cresswell Park Blackheath London SE3 9RD
Dialogue Distribution (Maxim) Watchmoor Rd Camberley Surrey GU15 3AQ	Micro Networks see Unitrode	NEC 116 Stevenston St. New Stevenston Motherwell Lanarks ML1 4LT	Siemens Components Group Siemens Hse. Windmill Rd. Sunbury-on-Thames Middx.	STC Mercator South Denes Gt. Yarmouth Norfolk NR30 3PX	Texas Hawke Electronics Amotex Hse. 45 Hanworth Rd. Sunbury-on-Thames Middx.	Tech. Inquiry Service Texas Instruments Ltd. Manton Lane Bedford MK41 7PA
Electrovalve (Siemens) 28 St Judes Rd Engelfield Green Egham Surrey TW20 0BH	Mullard Torrington Place London WC1E 7HD	Panasonic 280 Bath Rd Slough Berks SL1 6JG	Silicon General 17 Bridge St. Leatherhead Surrey KT22 8BL	SSI (Teledyne) Dawson Hse 128 Carshalton Rd Sutton Surrey SM1 4RS	Thame Components (Nat. Semicon., Maxim, AMD) Thame Park Rd. Thame Oxon OX9 3XD	

Digital audio editing

by J.R. Watkinson

Master recordings for cutting Compact Discs are made on videocassettes using a pcm adaptor. This two-part article looks at additional equipment needed to edit the final master recording.

One of the most important aspects of Compact Disc cutting to appreciate is that the entire process takes place in the digital domain. The final disc contains left and right sound samples which arrive at the converters in the player at 44.1kHz; some 400 million 16-bit samples in a 75 minute recording. The value of every sample on the disc has to be provided by the master tape, and if the quality of the disc pressing is adequate, there will be no difference in sound quality between playing the compact disc or playing the master tape into the same converters.

The disc cutting process is independent of musical content, and the responsibility for the subjective quality of the recording falls on those who make the master tape. The duration of each musical piece, the length of any pauses between pieces, and the relative levels of the pieces on the disc have to be determined at the time of mastering. The master tape will be made from source tapes which may each contain only some of the pieces required on the final disc, in any order. The recordings will vary in level, and some may contain several unsatisfactory re-takes of a passage.

The purpose of the digital editor is to take each piece, and insert sections from re-takes to correct errors, and then to assemble the pieces in the right order, with appropriate pauses between and with the correct relative levels, to create the master tape. All of this is done by copying in the digital do-

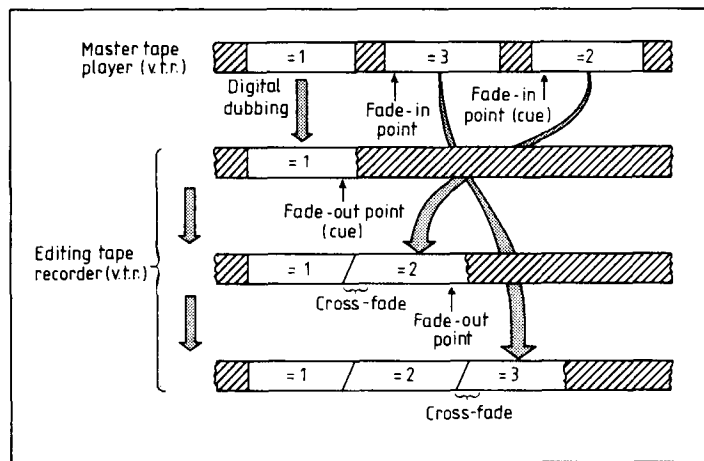


Fig. 1. An editor performs a series of assemblies to produce a master tape from source tapes.

main; the source tapes will not need to be changed in any way, and no degradation results from the additional stage of copying. The master tape will also have contiguous timecode.

Digital editors work by assembling, a term which has the same meaning as in the context of video recording, where new material is attached to the end of a previous recording without any loss of sync.

A master tape is made up by assembling from source tapes, Fig. 1. Clearly one recorder and one player are necessary in an editing system. Where there are many different source tapes, a system with two

players will work faster because one can be locating the next piece whilst the other assembles.

As in video recording, digital audio edits are controlled using timecode on the tape cassettes. Editing *per se* can be done using drop-frame timecode or true frame timecode, but the CD cutter will reject a master with drop-frame code, and this will not be mentioned further. The time code used is SMPTE standard. Fig. 2. This stores hours, minutes, seconds and frames as binary-coded decimal, which is serially encoded along with user bits into a fm channel code recorded on one of the linear

Fig. 2. In SMPTE standard timecode, frame number and time are stored as eight b.c.d. symbols. There is also space for 32 user defined bits. Code repeats every frame.

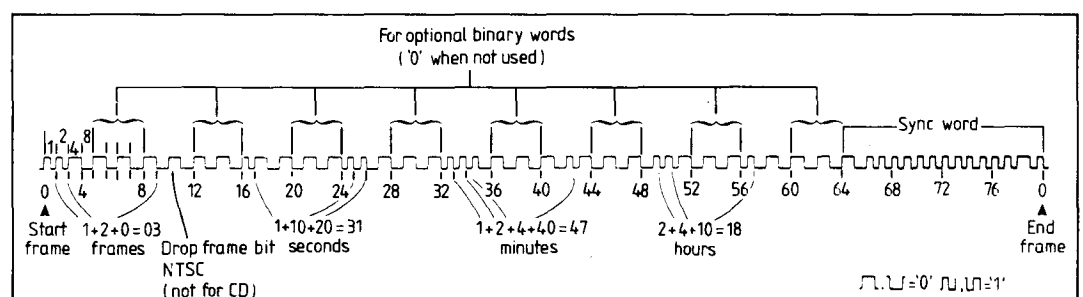
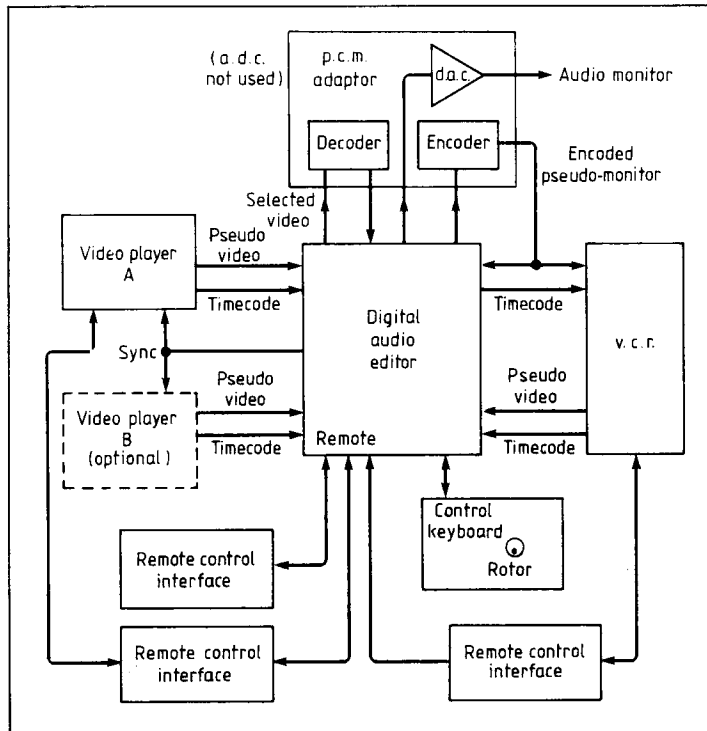


Fig. 3. Block diagram of edit system. The editor makes use of a p.c.m. adaptor for tape encoding and decoding, and for monitoring; second player is optional



audio tracks of the videocassette. An exception to this is the JVC editor which buries timecode as a field count code on one of the pseudo-video lines recorded by the rotary heads. The user-bits are not specified in the SMPTE standard, but a common use in digital audio is to record the take or session number.

Editing is performed in two basic steps, edit point location and assembling. The edit point is located under manual control, whereas assembly takes place automatically. Edit point location will be described here the assembly mechanism will be detailed in a second article.

Edit point location

The digital audio editor makes use of the p.c.m. adaptor described in an earlier article. The encode and decode sections are used for assembling, and the d.a.c. is used for monitoring. The a.d.c. is not normally used during editing, but in principle assembly could be done with an analogue tape recorder connected to the converter, provided that the a.t.r. has a timecode track and the editor had supporting software.

The units of an edit complex interconnect as in the illustration (Fig. 3). The two or three v.c.r.s all have remote control, sync, timecode and video replay connections. And the

normal speed, the area of the edit point is transferred into a memory, and the precise edit point is located by accessing the memory, and which can be done at variable speed.

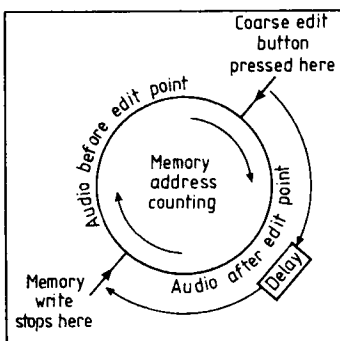
Figure 4 shows how the area of the edit point is transferred to memory. The v.c.r. is set into play, and the operator listens to offtape samples via the d.a.c. in the p.c.m. adaptor. The same samples are continuously written into a memory within the editor, addressed by a counter that repeatedly overflows to give the memory a ring structure rather like a timebase corrector. When the operator hears the approximate area in which the edit point is required, pressing a button will stop the memory writing one-half of the memory capacity later. The effect of this is that the memory contains a section of the recording which is symmetrical about the coarse edit point.

Typically, an operator needs to hear about 30 seconds of audio to be able to mentally synchronize to the rhythm and anticipate the edit point. In a stereo system, this represents a storage requirement of about $2 \times 44100 \times 30 = 2.6$ million samples, or more than five megabytes. This represents a lot of memory and significant cost. To reduce the size of the memory needed, most editors use some form of data reduction or companding^{2,3}.

One obvious step is to add left and right sample values to obtain a monophonic signal, giving a factor of two saving. A further reduction of memory can be obtained by reducing the sampling rate. It is easy to reduce the sampling rate by a factor that is some power of two as output samples will coincide in time with input samples, thus simplifying the circuitry. Typically the sampling rate will be halved, reducing the bandwidth of the audio to 10 on 11kHz. Sampling-rate reduction cannot be performed by simply discarding alternate samples: this is the equivalent of sampling at half the rate and results in aliasing, as shown in Fig. 5.

It is necessary to use a digital filter. finite impulse response filter is highly suitable, and the impulse response chosen will be that of a perfect 11kHz low-pass analogue filter. This is shown in Fig. 6, superimposed

Fig. 4. A ring memory that overwrites allows storage of samples before and after the coarse edit point.



on the sampling rate. The response is a sinc/x curve having zeros at integral multiples of the two sample periods, therefore to produce a filtered sample it is necessary to add to the central sample 0.64 of the adjacent samples, 0.21 of the samples three periods away and 0.13 of the samples five periods away, and so forth, and divide by some normalizing factor.

As the sinc/x curve is infinite, it will have to be truncated and this will cause some distortion. The filter can be conveniently implemented with a ram that allows transversal access to several samples and a rom that contains coefficients, both of which feed a multiplier accumulator. It is possible to eliminate the multiplier if the impulse response is distorted so that all coefficients are 1/2, 1/4, 1/8 etc, as multiplication by these factors can be done by bit shifting.

The final stage of data reduction will be to convert to a floating-point notation, where the value is expressed to reduced accuracy, but over the same range, as a mantissa and an exponent. In true floating-point notation, every mantissa has its own exponent, but in digital audio samples adjacent samples tend to have similar exponents. Thus one common exponent can be used for, typically, four mantissae — known as floating-point block coding. If a seven-bit mantissa is used, four of these plus one common four-bit exponent can be stored in four bytes.

Floating-point block coding is simply performed. A set of four input samples is loaded into four shift registers. These are shifted up until a 'one' appears in the m.s.b. of one of the registers. The number of shifts determines the common exponent, and the top seven bits of each register become the mantissae. Floating-point block coding reduced memory requirement by a further factor of two. Fig. 7 shows the complete reduction process which illustrates the factor of eight reduction in memory size to 650Kbyte.

Once the recording is in the memory, it can be accessed at leisure, and the v.c.r. plays no further part in the edit point location. The v.c.r. will typically perform a partial unthread so that the tape no longer contacts

the rotating thread. If the memory address is supplied by a counter which is clocked at an appropriate rate, the edit area can be replaced at normal speed, or at half speed, repeatedly.

To simulate the usual methods of locating an edit point the operator is provided with a handwheel or rotor, and the memory address will change at a rate proportional to the speed with which the rotor is turned, and in the same direction. Thus the sound can be heard backward or forward at any speed, and the effect is exactly that of manually rocking an analogue tape past the a.t.r. heads.

Simple as it sounds, there are difficulties to overcome. The human hand cannot turn the rotor smoothly enough to enable the output to address the memory directly; this would result in annoying flutter. A phase-locked loop is necessary to damp rotor speed fluctuations and provide a stable

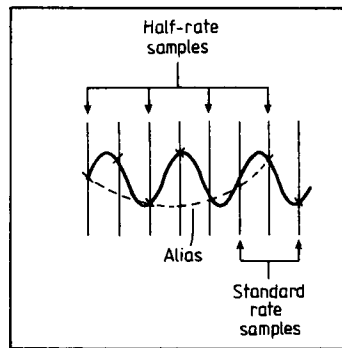


Fig. 5. If a high frequency is sampled and then alternate samples dropped, the result is aliasing, where the output is a difference frequency between the signal and the new sampling rate (shown as dashed line).

average frequency. Further, it is necessary to feed the monitor d.a.c. at the standard sampling rate of 44.1kHz otherwise the reconstruction process would be impaired because sampling sidebands could pass the filter. An interpolator or sampling-rate converter is necessary to produce a constant sample-rate whatever the rotor speed. This follows the conversion from floating to fixed point.

Look at a typical rotor output, Fig. 8. The rotor carries a grating which moves over a fixed grating which has non-

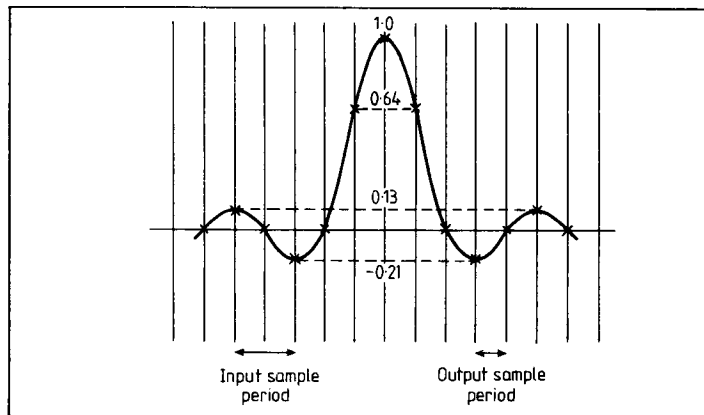


Fig. 6. Impulse response of an 1 kHz low-pass filter is zero at two sample period spacing on the output, one sample spacing on the input. As so many coefficients are zero, the filter can be realised with little hardware.

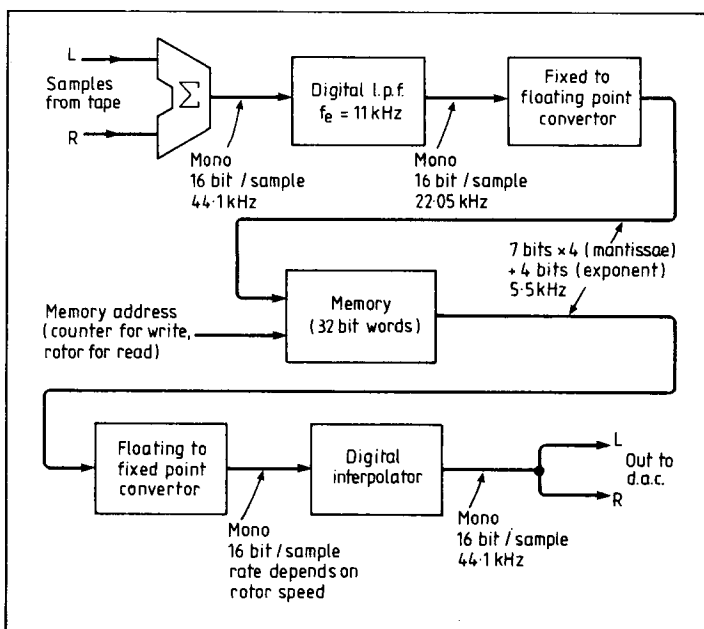
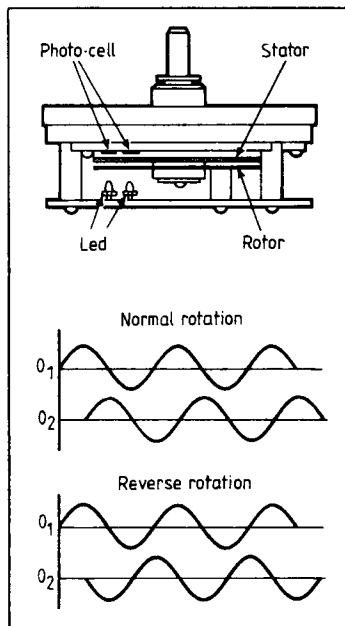


Fig. 7. to economize on memory size, sampling rate is reduced, and floating-point block coding used to write the memory. Reverse process is necessary on reading the memory.

Fig. 8. Fixed and rotating gratings produce Moiré fringes that are detected by two light paths as quadrature sinusoids. Relative phase determines the direction, and frequency is proportional to speed of rotation.



parallel bars. The resultant moiré patterns are picked up by two light paths positioned to produce outputs in quadrature. By comparing the phase of the two outputs, the direction of rotation can be determined. The frequency of one of the outputs is fed to the digital p.l.l. to be multiplied up to the required rate. The loop works as follows: A counter fed from a stable high frequency measures the period of the rotor output. The period is fed to an accumulator which multiplies by repeatedly adding new inputs to previous outputs.

If the accumulator output were fed to a presettable counter, the counter would overflow at a new value each

time the accumulator operated, resulting in an output rate similar to the input rate. However, by bit-shifting the accumulator output, the period fed to the output counter can be divided by powers of two, thus raising the output frequency by powers of two. There is a clear parallel with analogue loops in that the multiplication of frequency achieved is a function of the division ratio. The accumulator averages input periods, reducing flutter.

The resultant clock now drives the memory address bus, and samples are read out at arbitrary rate. The samples are expanded to fixed point by using the exponent to shift down the mantissae in sets of four. These fixed-point samples are the input to the sampling rate converter, similar to the over-sampling digital filter described in a previous article, though more filter phases are needed. The interpolated sample values then pass the p.c.m. adaptor, where the d.a.c. returns them to the analogue domain for monitoring.

Samples that go to make the master tape never pass through the rate reduction and companding processes: the sound quality of the edit point location system is not particularly impressive.

Pressing the coarse edit point button it stores the timecode at that point. As the rotor turns the memory address is monitored as this changes the time code. When the rotor is at

the chosen point, the timecode will have been updated by the distance from the course-point memory centre to the current address. Internal to the editor, the edit point has now been determined to great accuracy, and is stored as hours, minutes, seconds, frames and position within the frame.

Before assembly can be performed two edit points must be determined, the out-point at the end of the previously recorded signal and the in-point at the beginning of the new signal. The editor's microprocessor stores these two points as the precise timecodes of the two tapes. They will be used to control the assemble process.

Part 2 outlines the assembly process and shows how the greater accuracy required in digital audio editing results in processes that are considerably more complex than their video counterparts.

REFERENCES

1. Variable speed video, by J. R. Watkinson. *Electronics and Wireless World*, May 1984.
2. System Design of Professional Digital Audio Mastering System by Mori, Kasuga, Kikuchi, Teuchikane and Matsushige. AES Convention, Eindhoven March 1983.
3. Digital Audio Editor, by Ohteuki, Kazami, Watari, Tanaka and Doi. AES Convention, Hamburg, 1981.
4. Compact disc players - 2, by J.R. Watkinson. *Electronics & Wireless World* November 1985.

BOOKS

Understanding Radar by Henry W. Cole. Collins, 267 pages, soft covers, £9.95. A comprehensive and very readable guide to radar technology, concentrating on its applications in aviation. The aim is to give radar users a clearer understanding of how their systems work and what limitations they have. Sections cover basic techniques, primary radar, secondary surveillance radar and methods of display.

IEEE Transactions on Microwave Theory and Techniques, volume MTT-32, No.9; ISSN 0018-9480. Special hard-bound issue to mark the centenary of the IEEE, with 29 articles and invited papers on microwaves, most of them with a historical perspective. Topics include the multiple rediscovery of the

waveguide, microwave printed circuits and i.c.s, the evolution of low-noise techniques, microwave ferrites, GaAs fet digital i.c.s, instrumentation, medical applications, astronomy and power transmission by radio waves. A section on U.S. patent abstracts contains excerpts from a selection of landmark patents ranging from 1898 to 1970. Details from the IEEE Service Center, 445 Hoes Lane, Piscataway, New Jersey 08854.

Dictionary of Electronics and Computer Abbreviations by P.R. Brown. Butterworths, 237 pages, hard covers, £19. Wide-ranging guide to the mass of jargon spawned by the electronic age - the U.S. variety as well as the home-grown. Inevitably there a few omissions and errors (for instance,

CP/M 2.0 is *not* the latest version). At the end, is an appendix on batteries, which includes a cross-reference chart to different manufacturers' type numbers. Though useful, it gives the impression of having strayed from someone else's book. Rather expensive.

Analog-Digital Conversion Handbook by staff of Analog Devices. Prentice Hall, 669 pages plus a bibliography and index, hard covers, £20: from Analog Devices, Central Avenue, East Molesey, Surrey KT8 0SN. Essential manual for circuit designers hungering for more after our current survey. Design examples are largely based on AD's own devices, but most of the information given is universal. This third edition has been expanded and updated with seven new chapters.

Human responses to 'intelligent' machines

Tom Ivall

A discussion on the interaction of living beings with dead, but cognitively-active, matter

When we describe a person as intelligent we mean that he or she has the ability to understand subtle or complex situations, problems, processes, distinctions, explanations, hypotheses and so forth. More specifically, we might assume this person would obtain high scores in solving the artificial problems set in intelligence (IQ) tests.

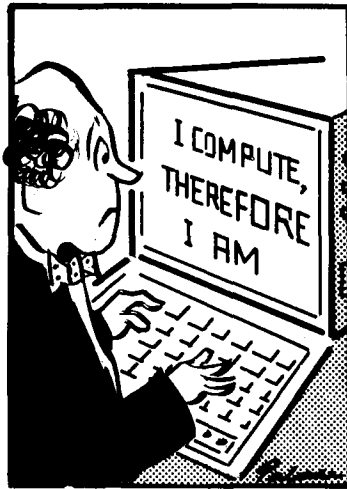
If we disagree with the concept of intelligence as something which is innate, fixed and measurable, we might accept the dynamic model proposed by Piaget. In this, intelligence is seen as a complex hierarchy of information-processing skills underlying a state of adaptive equilibrium achieved between the person and the environment.

But whatever the view of intelligence — and it is certainly a controversial subject — evidence of its existence can only be obtained through some kind of performance. A person asleep or in a coma might well be intelligent, but we wouldn't know this until he woke up and we could assess his performance by criteria of some kind.

'Intelligent' machines

There is no doubt that machines — in manufacturing industry, public services and the home — are becoming more 'intelligent', in so far as this description refers to their performance. They can not only do more, in both kinds and quantity of tasks, but also function more autonomously than was possible, say, a century ago. Two basic inventions are mainly responsible. One is closed-loop control; the other is programming by software.

Closed-loop control started from simple mechanical devices



like the steam-engine governor and developed through electronics to complex systems which can be adaptive, predictive, multi-variable, and make use of optimization techniques such as computer-implemented dynamic programming. They will function not only deterministically, where all required information is permanently available, but also stochastically, where the laws are probabilistic and future behaviour cannot be calculated from past and present information.

Programming of machines started with mechanical sequence control, became electrical in the form of hand-set switches and plugged connections — an early form of firmware — and finally, through the computer revolution, extended to software. Programmable controllers, with software using conditional branching instructions which allow decisions to be implemented in response to sensed data or states, are now commonplace in manufacturing industry. We also have automated plants relying on centralized or distributed computer control and second-generation robots with visual and tactile sensing

systems which extend outside of the robot to include the workpieces, materials and tools being manipulated.

In the future we can expect to see both closed-loop and programming systems supplemented by artificial intelligence (AI). Expert systems in the form of software are already available commercially and these have been one means of introducing interference into information processing — to be distinguished from implication, which is essentially a logical operator (if... then...) in deductive logic.

The man-made interface

Human interaction with machines — at the so-called man-machine interface (m.m.i) — has developed partly in step with the nature of the machines themselves and partly in response to the demands of the tasks to be performed. The levers, handles and steam pressure gauges of the Industrial Revolution gave way to the switches, rheostats, indicators and meters of electrically driven machinery. Now the m.m.i. is increasingly provided by keyboards, v.d.us and printers. In turn, these data entry and display devices are being supplemented and to some extent replaced by voice input and output, based on digital speech recognition and synthesis systems.

So the picture that emerges of human interaction with machines is one of increasing involvement between the living organisms and the dead matter. First, the human mental processes are dealing with increasingly complex machine functions with higher and higher levels of internal organization. And the interaction is taking place through

increasingly sophisticated arrangements between human sensors and effectors and their corresponding devices in the machine.

It would seem that ergonomics and human-factors engineering, as it is called, will have to be extended to include the psychology as well as the physiology of *Homo sapiens*. (The subject could perhaps be called 'psychonomics' if the word did not already have an established meaning in psychology.)

Certainly, with this greater intimacy between man and machine, the feeling of the human being towards the machine — his 'perceptions' of it, to use a current buzz-word — are likely to become increasingly important relative to his purely rational knowledge of its workings. For example, now that speech synthesizers are beginning to be used to provide output information, the 'tone of voice' of the artificial speech might have a certain character which could elicit an emotional response in the human listener — or at least a sense of what 'that sort of voice' means.

This could effect the efficiency of information transfer and the working harmony desirable between the human and the machine. A tone of voice which could be interpreted as posh, unctuous, patronising etc., or had a foreign or class-related accent, could easily prove counter-productive. Anyone who has formed a mental picture of an unknown person just from a voice at the other end of a telephone line will understand this problem.

Uneasy and happy relationships

A fairly common experience nowadays of interacting with a

machine is that of speaking to a telephone answering machine. Emotional reactions vary with people, but a feeling of unease or embarrassment is often reported. Rationally we know we are really speaking to a piece of magnetic recording material, but we try to behave naturally, as in a normal telephone conversation, for the sake of the end result. This is difficult, because of the absence of the normally expected audible responses from the other end, if only "yes", "no" or an occasional meaningful grunt. The consequence is a mild mental conflict caused by instinctive behaviour being thwarted by the pressure of the rational requirement (to leave a clear message), which psychiatrists tell us is the basis of neurosis.

But not all interaction with machines is like this. The late Dr C.R. Evans, a psychologist at the National Physical Laboratory, reported some experiments with computer-aided medical diagnosis in which in which certain patients actually preferred interacting with a computer, in a question-and-answer duologue, to interacting with a human doctor.¹ (this must also say something about certain doctors.)

Dorinda Bath of Nottingham University, in experiments with autistic and retarded children, found that a simple voice synthesizer which they could play with like a toy acted as a 'catalyst' for assisting interpersonal relations.² (Autistic children withdraw from human contact and prefer things to people.)

Such experiences are, of course, typical subject matter for psychology — in the sense of man's interaction with his social and physical environment — and studies in this field keep up with the changing nature of machines. In the UK such research on human-machine interaction is being done at Loughborough University and at the Medical Research Council's Applied Psychology Unit at Cambridge. There is, however, another level of man-machine interaction which is intellectual rather than emotional, concerned with content rather than manner, with the message rather than the medium. This is the interaction between the human and

the machine as two information processing systems, differently constructed but using the same symbols, syntax, semantics and logical conventions.

As such it is appropriate subject for cognitive psychology — the scientific study of thinking — but also has considerable underpinnings in the philosophy of mind.

Philosophical viewpoints

It may well be helpful to consider these philosophical underpinnings of 'cognitive man-machine interaction' as a background to the empirical psychological work needed to achieve good results from advanced automation. There are two traditional and related philosophical problems which seem to be relevant: the 'problem of other minds' and the broader 'mind-body problem'. And these lead on eventually to a modern theory in the philosophy of mind, called functionalism, which attempts to solve these problems.

An 'intelligent' machine which demonstrates very well the relevance of these two problems and the theory is a computer running a program expressly written to stimulate human thinking and verbal communication. A famous example is a program called Eliza, composed by Prof. J. Weizenbaum at the Massachusetts Institute of Technology, USA, with which a person can 'converse' in English. (It was named after Eliza Doolittle in Bernard Shaw's *Pygmalion*.)³

The program has a language analysis section and a 'script' section — providing a set of rules which enable the program to 'improvise' around a given topic. What was remarkable about the performance of this program was that it created a very strong illusion in many different people 'conversing' with it that the computer 'understood' the conversation. Those who knew it was only a computer program soon forgot the realities of the situation, as in watching a good piece of theatre. Those who knew little or nothing about computers insisted firmly that the machine understood them.

The 'Turing test' again

Eliza would have passed with

flying colours the once-famous 'Turing test'. Alan Turing, the mathematician and pioneer of computer science, proposed that a stringent test of a programmed computer's abilities would be for an observer to judge if the responses it printed-out in answer to questions were produced by a machine or by a human being.⁴ If the observer could not tell any difference then the machine could justifiably be described as thinking.

The question of whether machines can 'think' has already been discussed at great length. What is significant about the 'Turing test' in the present context is that it parallels, in its person-to-machine relationship, the person-to-person relationship in the above-mentioned 'problem of other minds'. The essence of this philosophical problem is that we can only be absolutely sure of the existence of our own minds. Our evidence is obtained by the process of introspection, or inwardly observing our own mental processes and stream of consciousness. There is no way in which we can demonstrate objectively the existence of minds (or consciousness or mental processes) in other persons. All that we can do objectively is to observe the external behaviour of other persons. From this we can only infer, that they too have minds possibly similar to your own.

Monism versus dualism

One possible solution to this problem is that we are mistaken in conceiving the mind as a separate, ghostly entity, different in kind from the body because it cannot be described as an arrangement of atoms and molecules in space-time. This is the position of 'monism' in philosophy — that there is only one basic reality. It is in opposition to 'dualism', which posits two separate entities, consciousness and matter, or mind and body, which somehow interact or function in step with each other. Nowadays, scientifically minded people tend to favour monism because they cannot see any means by which a separate, non-physical mind could interact with the body and its brain (e.g. as in conation, or 'willing').

Ironically it was Descartes, the great originator of scientific

methods of investigation (including Cartesian co-ordinates, of course) who was responsible for dualism in the first place. In seeking to find a system of enquiry free from the inhibiting scholastic traditions and theological dogmas of the time, he proposed as a basis the absolute certainty we have of knowing that we are thinking. Even if we are deluded or deceived by God or the Devil in *what* we think, we still know for sure that we *are* thinking. And if thinking is taking place there must be something doing it.

Hence the famous *Cogito, ergo sum* (I think, therefore I am). This approach, of course, is what produced the modern scientific dichotomy between subjective experience and objective description, the observer outside of and detached from the thing observed. It is central to our whole way of proceeding in science and technology.

Answers to dualism

Unfortunately, this peculiar split between consciousness and the external world (which is foreign to Eastern ways of thought) also produced the concept of the duality of mind and body, and philosophers have been occupied with the 'mind-body problem' mentioned above ever since. Various monist solutions to the problem have been proposed. Spinoza thought everything was unified through God/Nature, Hobbes that everything was just matter, Berkeley that everything was just mind. Leibnitz, who among many other activities designed calculating machines, suggested that everything, whether mental or physical, was composed of certain entities which he called monads. More recently, James argued that consciousness was a function, not an entity, and Ryle that the concept of mind as a "ghost in the machine" was a mistake in categorization.

James was among other scientist-philosophers including Mach and Russell who supported a theory of 'neutral' monism — neutral in the sense that it centred neither exclusively on consciousness nor exclusively on matter. It

cont on page 68

Computer aids in electronic design

Computers are playing an increasingly larger role in the lives of electronics engineers. Right through the industry from school pupils and apprentices through to the integrated-circuit manufacturer there is a design tool that will aid the user to produce anything from a simple circuit or p.c.b. layout to a highly complex multilayer p.c.b. or i.c.

What is CAD?

The term computer-aided design has been used to describe many functions. At the simplest level it is used purely to indicate the physical design of a p.c.b. or circuit where the designer has to provide all the component positions and the computer system can plot and interconnect them as indicated by the user. This is more like an electronic drawing board and can perhaps be better designated 'computer-aided draughting'. At the next level, the computer can be provided with a circuit and organise the components and position them to give an optimum layout design. At the ultimate level, especially in i.c. design, the user enters the inputs and the required outputs and the computer can then follow specific rules to design the circuit that will meet the requirements.

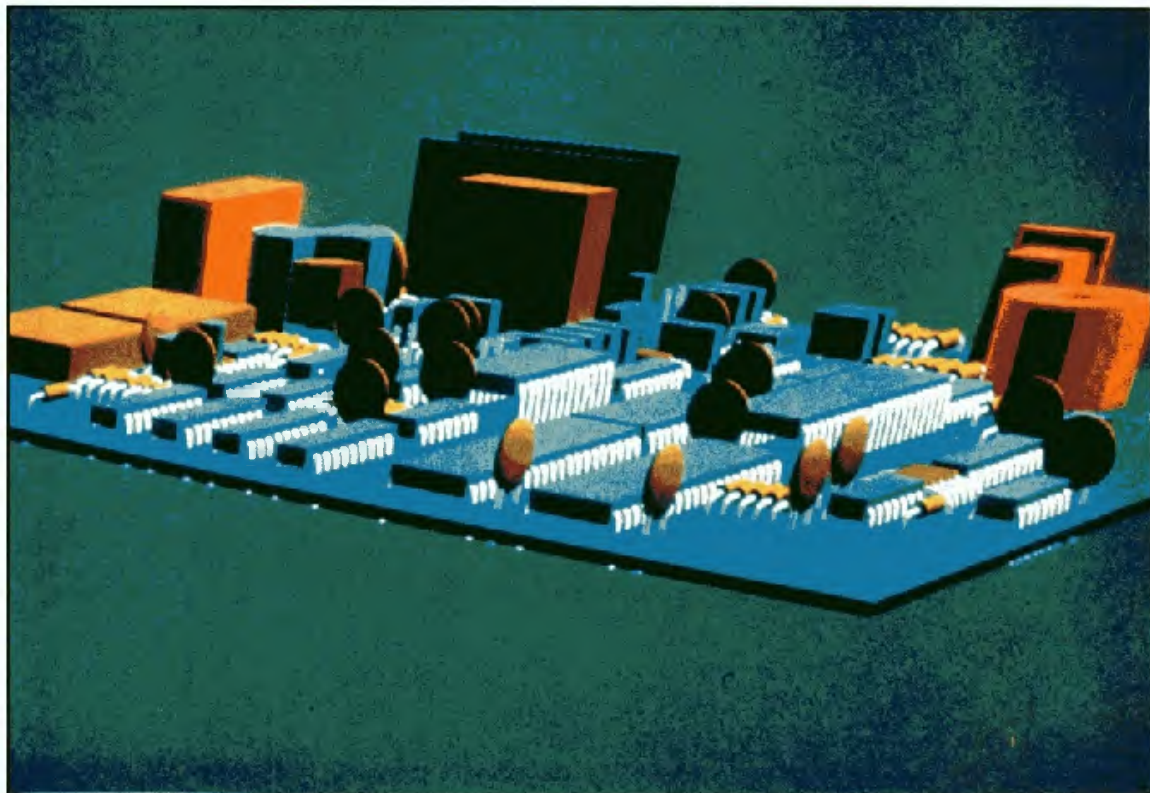
Not only can computers aid the designer to produce the circuit, but they can produce the necessary masks or etching patterns and be linked to automatic machinery to produce the finished product. They can provide a list of parts. They can simulate the circuit and check that it will perform the required tasks. I.c. design tools can also check that the circuit obeys the design rules and that stray capacitance will not damage the circuit.

Testing is an integral part of the design process. Design systems can test the circuit before it physically exists and then use the same test patterns to test the prototype and final product when it has been made. There is also a wide range of computer-aided testing (c.a.t.) equipment which is a separate branch in its own right.

Unlike some of our recent sur-

veys, it is not our intention to provide a comprehensive list of all the services available but to present examples from the range and indicate the sort of tools that are available to aid in design tasks at the various levels; from linear circuit analysis on a home micro to a complete semi-custom design and manufacturing plant.

This 3-dimensional model of a p.c.b. was produced by Computervision's ElectroCADDs system interfaced with a mechanical modelling package through the CADDs connect interface.



Michael A. Lloyd, B.Sc.

Prototyping gate-arrays in seven days

Using electron-beam direct-write facilities it is possible to achieve a turn-around time for prototypes of seven days. This method encourages innovation and reduces costs and risks.

A gate-array logic device consists of a number of logic cells which are uncommitted to any specific purpose. The addition of a metallic layer (or layers) interconnects the cells and creates an integrated circuit specially made for a specific task. Circuits so produced are called semi-custom or application-specific i.cs.

The advantages of semi-custom i.cs are that they can reduce cost, are of smaller size, faster, use less power with design security and reliability. Their disadvantages are the costs incurred by the delays in the development phase; waiting for prototypes from a standard production line; the question of whether to breadboard the circuit; and the difficulties of obtaining small quantities of prototypes for evaluation and test modelling.

Most of the disadvantages stem from the fact that the semi-custom i.c. is manufactured on a production line which is devised for the large-scale production of standard i.cs. These can be stored in large numbers and are

available for prototyping whenever required. Semi-custom i.cs need to be produced in relatively small quantities of many different designs and are specially manufactured for a specific user. The methods described here can overcome the disadvantages and provide a quick turn-around for application-specific i.cs.

The manufacturing facility

A fully integrated facility is able to design, produce the metallic-layer pattern (in our example by E-beam lithography) and complete all tests before packaging the circuit. The system is intentionally designed for low-volume production with an upper limit of a few hundred i.cs. Greater volume can be achieved by the conventional mass-production facility. With this in mind, the design produced can be transferred to a high-volume factory if required.

The design stage, in our example, is carried out on a Vax minicomputer. Three complete design packages are installed from Plessey, Ferranti and Mullard/Philips. The schematic layout can also be produced on an independent work-station and transferred to the Vax-based system. Most of the parameters needed in the creation of a new design can be set up and performed automatically, using computer-aided manufacturing techniques. The design package checks that the proposed device complies with certain rules of construction, rather like building regulations, and its electrical and capacitive performance are checked auto-

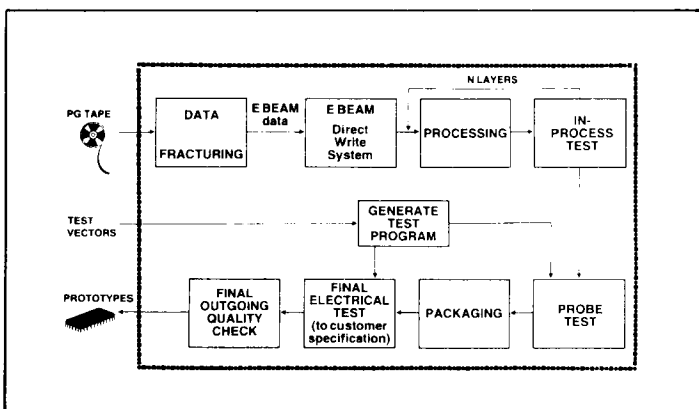
matically. The software can simulate the device and also provide test patterns for testing the finished i.c. On completion, the design output is converted to a binary pattern of x-y coordinates (Cambridge binary format) to drive the E-beam. This is performed by specially developed software and is known as "pattern processing". E-beam lithography eliminates the need to produce a mask for the metallization process.

E-beam processing

The Cambridge EBMF 6.5 is an E-beam device which is capable of "writing" on up to ten wafers in one run. Different designs can be written on different parts of the same wafer and it is even possible to mix wafers from different manufacturers which will have a different 'floorplan'.

A wafer is coated with an etch-resistant layer which will be sensitive to the electron beam when exposed. It is then positioned in the machine which must be aligned to recognise features on the wafer. No special alignment marks are provided, so the software must learn to recognise specific features. Once aligned the E-beam devices sets up an x-y coordinate system across the wafer. Each die (which will end up as the integrated circuit) is individually exposed. If necessary, the machine can automatically compensate for any distortion inherent in the base wafer. Test patterns can also be made on the wafer to check the wafer quality and processing tolerances.

The flow through the E-beam manufacturing process.



**LOW COST C.A.D.
ATTENTION ALL ELECTRONICS
CIRCUIT DESIGNERS!!**

I.B.M PC (and compatibles), BBC MODEL B and SPECTRUM 48K

"ANALYSER" computes the A.C. FREQUENCY RESPONSE of linear (analogue) circuits. GAIN and PHASE, INPUT IMPEDANCE, and GROUP DELAY (except Spectrum version) are calculated over any frequency range required. The effects on performance of MODIFICATIONS to the circuit and component values can be speedily evaluated.

Circuits containing RESISTORS, CAPACITORS, INDUCTORS, TRANSFORMERS, BIPOLAR AND FIELD EFFECT TRANSISTORS and OPERATIONAL AMPLIFIERS can be simulated — up to 180 components (IBM Version).

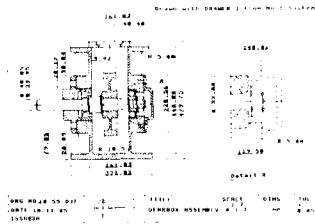
Ideal for analysis of ACTIVE and PASSIVE FILTER CIRCUITS, AUDIO AMPLIFIERS, LOUDSPEAKER CROSS-OVER NETWORKS, WIDE-BAND AMPLIFIERS, TUNED R.F. AMPLIFIERS, AERIAL MATCHING NETWORKS, I.V. I.F. and CHROMA FILTER CIRCUITS, LINEAR INTEGRATED CIRCUITS etc., etc.

Used by INDUSTRIAL, GOVERNMENT and UNIVERSITY R & D DEPARTMENTS worldwide. IDEAL FOR TRAINING COURSES. VERY EASY TO USE. Prices from £20 to £195.

**LOW COST COMPUTER DRAUGHTING
ON THE BBC MODEL B**

"DRAWER" enables quality drawings to be created and modified, quickly, easily and with the minimum of hardware. Positional input is by standard games joystick. All of the major program elements are written in machine code giving exceptional speed of operation.

- * Rubber banding for drawing lines.
- * Solid or Dotted line types
- * Circles, Arcs and partial or complete Ellipses.
- * Vertical or Horizontal Text.
- * Pan and Zoom
- * Merging of drawings and library symbols from disc.
- * Snap to a user defined grid.
- * Absolute or Relative cursor co-ordinates displayed on screen
- * Output to standard dot matrix printer.
- * Price £45 excl. VAT



Minimum Hardware Required: BBC Model B
Single or Dual Disc Drive — 40 or 80 track
T.V. or monitor
Games Joystick with "fire button"
Dot matrix Printer (Epson 80 series or Epson compatible — BBC Default Mode)

For illustrated leaflets and ordering information please contact:—

NUMBER ONE SYSTEMS LIMITED

Ref: W.W.

Crown Street, St. Ives, Huntingdon, Cambs, PE17 4EB
Tel: 0480 61778 Telex: 32339

CIRCLE 60 FOR FURTHER DETAILS.

**Computer-Aided
Engineering
Journal**



Editorial Board:

Prof. E.M. Freeman, Dr R.G. Bennetts,
Prof. S.K. Battacharyya, Dr J.R. Forrest,
W.E. Hillier, Dr D.H. Hutchinson, N.W. Sandland.

CAEJ is designed to provide essential information to professional engineers of every discipline currently engaged in the application of computer technology to their specialisation.

Scope:

- Aeronautics • Architecture • Automobile Engineering • Cartography • Chemical Engineering • Civil and Structural Engineering • Control • Electrical Engineering • Electronics • Expert Systems • Machine Tool Control • Mechanical Engineering • Robotics

Subscription Information:

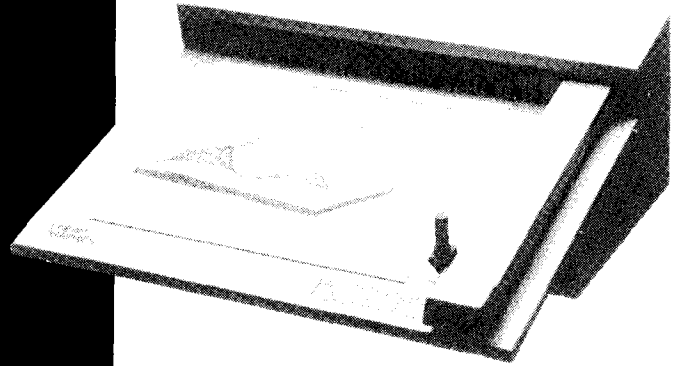
Published bimonthly, ISSN: 0261 3182
Publisher: Institution of Electrical Engineers
Annual subscription price:
International £57.00; UK only £48.00

For your FREE Sample copy and further information contact:

The Journals Marketing Manager, IEE, PO Box 8,
Southgate House, Stevenage, Herts.
Tel: (0438) 313311.

CIRCLE 79 FOR FURTHER DETAILS.

**PLOTMATE
GRAPHICS
PLOTTERS**



**Some people don't believe
they can do all we claim
at the price**

- * A4 model understands BBC graphics commands
- * Compatible with new BBC Master Series
- * A4M and A3 models plug into all micros.
- * Graphics languages to suit your micro and your work.
- * Run LOTUS 123 or BITSTICK — easily
- * Plot onto paper, card or acetate film
- * In up to 6 colours using fibre, OHT or ballpoint pens.
- * From only £299 plus VAT

**Brilliant performance at a
price to astonish the sceptics**

Send for demo pack and see for yourself

To Linear Graphics Limited
28 Purdeys Way, Rochford, Essex SS4 1NE
Phone 0702 541664 Telex 995701
Bulletin Board 0702 540356

Name _____
Address _____

Postcode _____
Type of micro _____
Phone No _____

PLOTMATE

CIRCUIT BOARD DESIGN WITHOUT THE TEDIUM

smARTWORK

PCB Design Software for the engineer in a hurry. It understands electrical connections and is therefore easier to use than autocad.

Software only £895.00

Turnkey systems from £2499.00

Demo disk £25.00

VUTRAX

The complete PCB design package. Offering schematic capture, autoplacement, multilayer autotracking and design rule checking. Supports various graphics displays, matrix printers, pen plotters and photoplotters.

Software from £1200.00

Turnkey Systems from £2899.00

Demo system £70.00

AUTOCAD

General 2D drafting package with auto-dimensioning. Will support a variety of graphics and output devices.

Software from £1000.00.

The SAM range of PCs are ideally suited to all our CAD packages.

SPECIAL INTRODUCTORY OFFER

(FOR LIMITED PERIOD ONLY)

SAM

PERSONAL COMPUTERS

IBM PC/AT COMPATIBLE UNDER

£3000.00

SAM 3001 At 640K RAM
1.2MB D/Drive 20MB H/Disk
1P/2S P/Oorts mono monitor
keyboard.

ONLY £2995.00

Also available **SAM 2001 PC/XT**

SAM PC 256K RAM 2

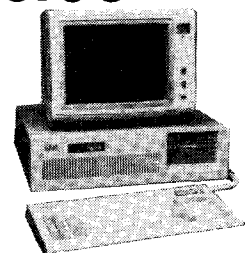
360K D/Drives 1P/1S port mono monitor keyboard.

ONLY £995.00

SAM XT As above with 10mb H/disk

ONLY £1645.00

All **SAM** Computers carry a full 12 months warranty.



Note: All prices exclude VAT and are subject to change without notice.

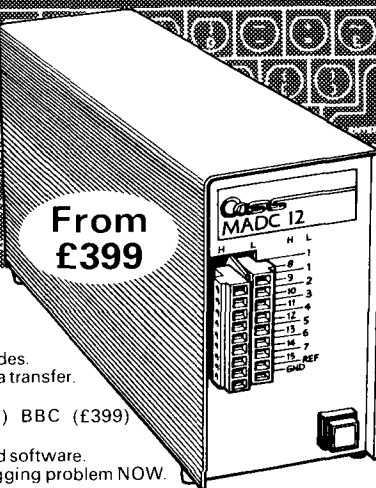
Conguin Software Ltd, Freepost, Morden, Surrey SM4 1BR
Phone: 01-640 9130

CIRCLE 58 FOR FURTHER DETAILS.

Oasis Instruments

PRECISE ANALOGUE DATA ACQUISITION

Now available for the Sinclair QL



Hardware and software systems for microcomputers, QL, BBC, IBM, Apple

Precision MADC12 module interfaces featuring:

- 12 bit readings in 30 μ S to 0.02% accuracy.
- 6 precision ranges, + - 10V down to 1V unipolar
- 16 high impedance inputs with S. E. or differential modes.
- All functions software controlled. 1Mbyte per sec data transfer.

Price

Systems for QL (£499), IBMs (£749), Apple II (£499) BBC (£399) + VAT.

Includes calibrated MADC12, interface HW, manuals and software. Modules from stock - reliably solve your digitising or logging problem NOW.

Enhanced versions for maximum flexibility provide:

- High speed for 12 bit readings in 15 μ sec, 8 bits in 10 μ sec (option S15 - £95).
- Full accuracy and speed with input isolation to 500Vrms (option 105 - £240)
- 32 channel systems (option C32 - £250) and versatile, wide range multiplexers.

Also available: low cost Apple II analogue interfaces, supporting boards and industrial computers. Order directly or contact us for further information.

Home, laboratory and industrial applications Full software support supplied:

- General purpose data acquisition package with easy user interface and interactive scan control and data file generation.
- Comprehensive product description to allow the hardware to be driven from your own software, either using the routines supplied or from your own low level routines to operate the analogue to digital process directly.
- Data file generation for export to existing spreadsheet or other post-processing software.

Custom hardware, software and systems solutions available on a consultancy basis.

Peter Nelson

Design Consultancy

The Street, Old Costessey, Norwich NR8 5DF Tel: 0603 747887

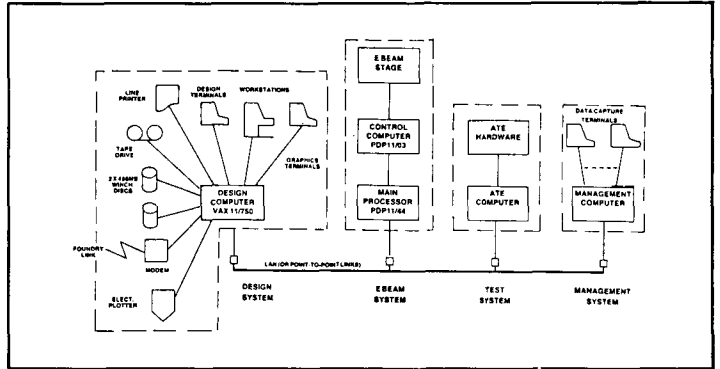
CIRCLE 63 FOR FURTHER DETAILS.

Once the wafer has been exposed, the rest of the process, i.e. resist development and etching is conventional. Wet etch techniques are used for geometries of more than $3\mu\text{m}$. Below this, a dry or plasma etch is used. If the array being produced has more than one metal layer, at least two more runs through the E-beam are required to expose 'via' holes in the oxide dielectric and the pattern for the second layer of metal. The facility can also deposit oxide and polyimide layers, and sputter metal.

The processed wafer is probe tested and sawn into dice. Each good die is bonded into a ceramic package (d.i.l.), chip-carrier and pin-grid arrays can all be

handled). A final test and inspection is carried out, using a Vanwall tester and other bench-top test equipment. Test patterns and outputs from the computer circuit simulators can be downloaded directly from the development system, thus minimizing the time taken. Testing is an essential part of the whole process.

The time taken from pattern processing to completion of the tested prototype is around seven days for a single level metal device. The system can cope with bi-polar and c-mos devices. Future developments will include $2\mu\text{m}$ geometry, double-layer metal c-mos arrays and e.c.l. Eventually full processing of standard cell devices in



small quantities is expected.

The system described here has been used successfully by one company and the facilities and techniques are to be transferred to a new company being started by the author.

The complete design and production computer chain for an E-beam facility.

PC-based workstation

Computer-aided engineering is a concept introduced by Daisy Systems to describe their design workstation for electronics. The founders of Daisy, Aryeh Finegold and Dave Stamm, had themselves been designers at Intel, and had recognised the need for specialised tools for electronics engineers.

The more general term, computer-aided design (c.a.d.) is, says Daisy, really only applied to draughting aids, and could be retitled 'computer-aided drawing'. Computer-aided engineering, on the other hand, assists the designer in all aspects of the task — from the initial conception of the design through to the generation of production information, whether this is an integrated circuit or a p.c.b. Further, all the data is held in a common database, so that all the stages of the design process are fully compatible and integrated.

The CAE workstation

Over recent years a number of advanced c.a.e. systems have been developed, some of which run on special dedicated computers with special features designed to optimize performance of specific tasks. Daisy produce such equipment, and have evolved a line of c.a.e. workstations. These provide for

the full spectrum of engineering tasks from entry of a circuit diagram, through logic simulation, timing verification, gate-array layout, full integrated circuit design and printed circuit board layout. It is also possible to generate test data and verification patterns so that the finished device can be plugged into a 'Physical modelling extension' (PMX) and tested by the system that was used to design them.

One such system is the Daisy Logician, a graphics workstation that can be equipped to perform any of the above tasks, and upgraded with dedicated high-speed processor where a very high performance is required. The central processor use in the Logician is the Intel iAPX286.

When IBM introduced a version of the Personal Computer called the AT, which also used a '286, Daisy saw the opportunity to produce a system which could provide the abilities of the Logician to the PC AT.

The Personal Logician

This is essentially an upgrade to the IBM PC AT that extends memory size and provides a high-resolution graphics controller and monitor in order to run the Daisy suite of electronic design tools. Fully expanded the system can carry 3.25Mbyte of

ram and the disc capacity can be increased to 88Mbytes. This provides all the facilities of the big brother Logician but on a smaller scale.

A special high-speed graphics controller was developed for the AT which provided a resolution of 1024 by 1024 panels in colour or monochrome, and addi-

Daisy's Personal Logician can be used as the graphics terminal to this MicroVax-based Logician VX.



tionally emulated the standard IBM screen format. This was designed to fit a standard plug-in IBM card, so that it fits into the AT and allows standard IBM applications to be run as well as the design tools. The display provides clear graphics, but in addition is suitable for the operating system used by the design suite; Daisy-DNIX, a version of Unix that is enhanced to include 'windows' to display different application programs on the screen at the same time, and 'mouse'-controlled pop-up menus which are easy to use.

Further recent enhancements to the Personal Logician include physical modelling, (PMX), formerly only available on the full Logician and 'mixed mode' simulations using Daisy's Advanced Behavioral Description Language (DABL). For printed circuit design, there is a

bi-directional software interface to allow a Daisy database to communicate with p.c.b. layout systems from other makers including SCICards, Computer-Visio and Racal-Redac.

Networking

The Personal Logician may be used on its own and is considered to be suitable for the smaller company, or used for a specific project. However an Ethernet interface is available and the software is compatible with all other Daisy workstations and can use any resources available on the system. So a system could consist of a number of PL-ATs communicating over Ethernet to each other and a Mega-Logician simulation accelerator, or a MegaGatemaster gate-

array layout workstation, allowing individual engineers to develop their own design locally and then share the more expensive resource of the accelerated tools.

Completing the Daisy chain

The latest development in the Daisy line is the integration of the DEC MicroVax with the Daisy design suite allowing engineers in a larger company to access Vax-based software on a MicroVax, or even a mainframe, from a Daisy terminal. Thus a complete range of design tools is available, from the relatively low-cost single-user workstation to a fully integrated corporate design environment. Daisy Systems, Basing View, Basingstoke, Hants RG21 2HG. EWW 250.

Linear circuit analysis on a BBC micro

The pulse response of a transformer-coupled low-pass filter; simulated by the circuit analysis program.

After reading an article in *Wireless World*, 'Circuit analysis by a small computer' by A.S. Beasley (WW Feb, 1980), David Markie had a two-year project to create a system that would implement the ideas set out in the article. It is in fact a

whole suite of programs, included on two discs. The first disc is a 'system' disc with the software to run the tests; the second disc is a 'user' disc containing example circuits and results.

The system works exactly as if the circuit was physically built and then tested with a sinewave sweep oscillator at the input and an oscilloscope or phase-sensitive a.c. voltmeter at the output.

Features of the programs include the ability to cope with up to 370 components arranged around up to 30 circuit nodes. Included amongst the components available for use are resistors, capacitors and inductors (including tapped inductors), op-amps, a choice of six types of bipolar and field-effect transistors, and transformers.

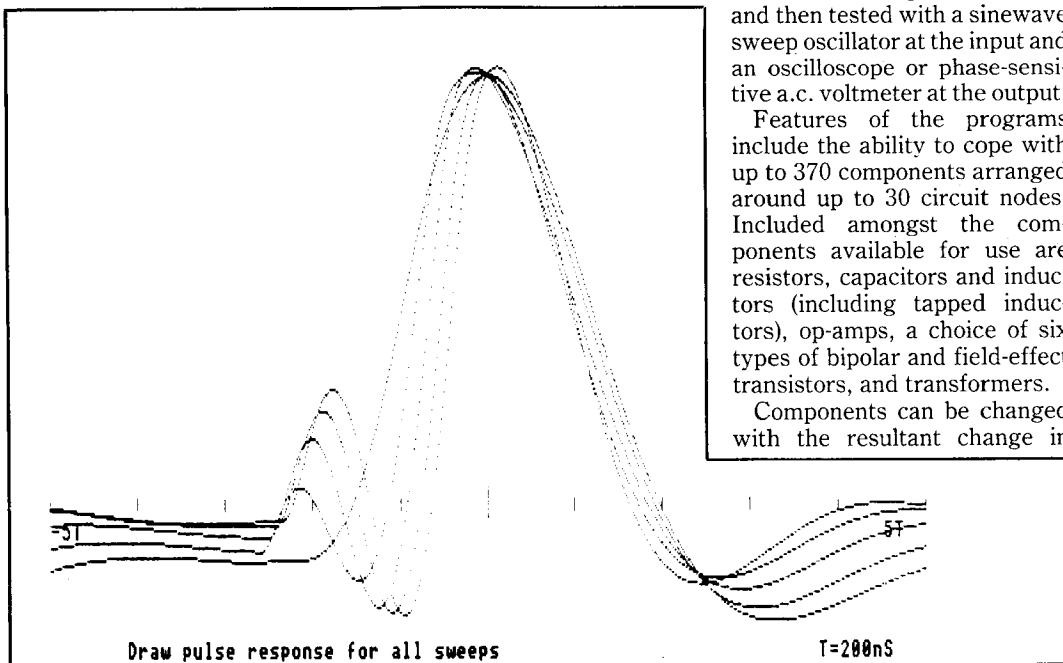
Components can be changed with the resultant change in

response displayed very quickly. The frequency sweep to test the circuit can be linear or logarithmic and up to 50 frequency steps can be plotted; scaled automatically or manually. Gain and phase-shift of a circuit are calculated as well as the magnitude and phase of the input and output impedances and the group delay. Transient response is tested with a "raised cosine" test pulse.

Up to five sets of test results can be displayed simultaneously and the output, in graphic or tabular form can be dumped to a printer.

Much of the software is written in Basic but to speed the calculations, machine code is used in critical sections of the program. All the software is interlinked and menu driven so that the system is easy to use. It is also provided with a comprehensive user guide.

The price of the discs and manual is £60 inclusive and can be obtained from David Markie, Markie Enterprises, 17 Percy Road, London W12. EWW 251



Simulation is the name of the game

Integrated circuit and p.c.b. designs are getting larger and more complex, increasing the need for better design and testing tools. At the same time, product life-cycles are shrinking, increasing the need to produce new i.c.s rapidly. HHB-Softron, who specialise in logic simulation, claim that general purpose computers are too slow for thorough logic simulators and systems, and that logic simulation for p.c.bs requires extensive libraries of models and specific components. Fault simulation shows how well a circuit can be tested but requires even more computer time than 'good' circuit simulation.

Combining both computer-aided design and computer-aided testing into one integrated whole, HHB-Softron market a range of Cadat systems. The simulation software consists of logic and fault simulation, worst case timing, switch level simulators and automatic test generation. Hardware includes accelerators, chip modellers and prototype testers.

At the basic level, Personal Cadat offers simulation on an IBM PC/AT computer. It can verify the performance of complex logic designs with up to 3000 devices. It can simulate mos devices with charge decay and switch-level analysis. Timing with minimum and maximum tolerances is simulated. The system uses its own high-level computer language to provide the 'probes' and 'stimuli' for the virtual circuit under test. The output is displayed in logic analyser wave diagrams. HHB stress their ability to model 'real world' conditions by developing timing algorithms.

Cadat is available for use at many different levels and is also incorporated into Cats (computer-aided test simulation) which offers a stand-alone system for all stages of circuit development and production. A circuit description is generated at an engineering workstation and is

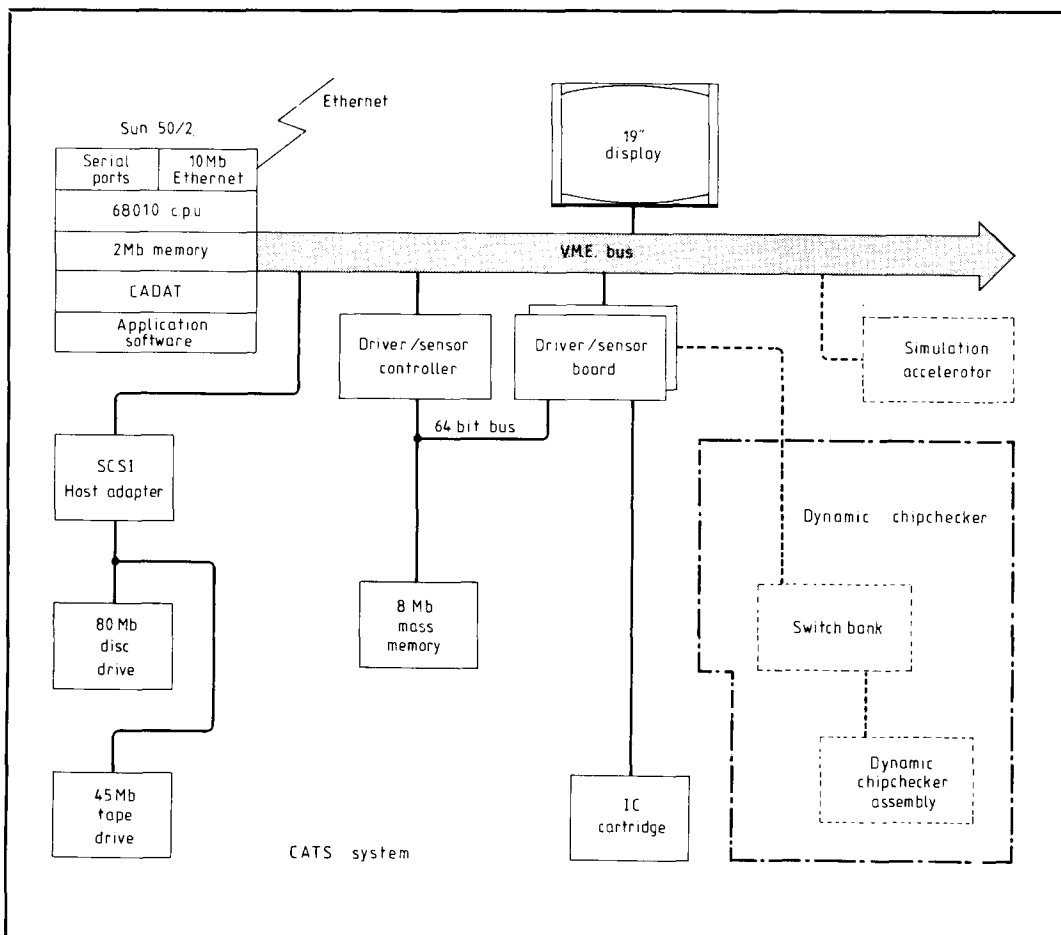
then passed to the Cats system for analysis. Cats combines simulation, evaluation and prototype verification. It is designed for its specific tasks and is very fast. It incorporates a hardware evaluator and includes a library of software and hardware l.s.i. and v.l.s.i. devices which can be used in a variety of hardware/software combinations as if they were all physically present. The system includes post-processors to generate the test patterns for automatic test equipment. Networking enables the linking together of several workstation nodes with shared resources.

Optional additions include a "dynamic chipchecker" which makes it possible for the design or test engineer to exercise prototype devices at the work-

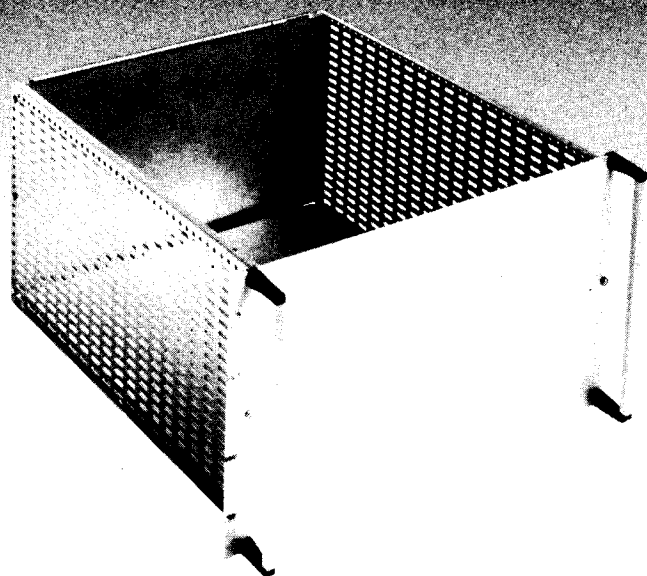
station. It offers testing at rates of up to 8MHz and can provide up to 256,000 test vectors. It can test devices with up to 608 i/o pins and has a sense resolution of 1ns. Another option is an accelerator which comes on a plug-in board for the Cats system. It can speed up processing over 500 times compared with Cadat used on a Vax11/780 computer.

HHB-Softron products are incorporated into many c.a.e. workstation systems including those of Mentor Graphics, Racal/Redac, Factron and Futurenet and, partly to offer local support for these companies, the American company has set up a European sales/support centre at HHB Europe, 10-12 Oxford Road, Marlow, Bucks SL7 2NL. EWW 253

Complete flowchart of the HHB Cats system.



SAREL'S 19" CHASSIS TRAYS SET THE STANDARD



- A rugged range providing practical 19" mounting for heavy or bulky assemblies.
- Readily available in 2, 3, 4, 5 and 6 U heights and depths of 268, 357 and 446mm.
- Anodised fascia panel manufactured of 3mm aluminium.
- Trays supplied as easily assembled flat packed kits.
- Perforated top panels available.

Please send me details of how Sarel's 19" Chassis Trays set the standard.

Name _____

Company _____

Position _____

Address _____

Telephone _____

EWV 3/86



Sarel Limited

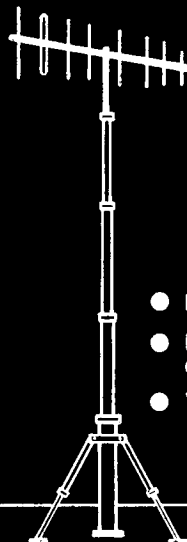
Cosgrove Way, Luton, Beds.
Telephone: Luton 20121

The infinite choice!

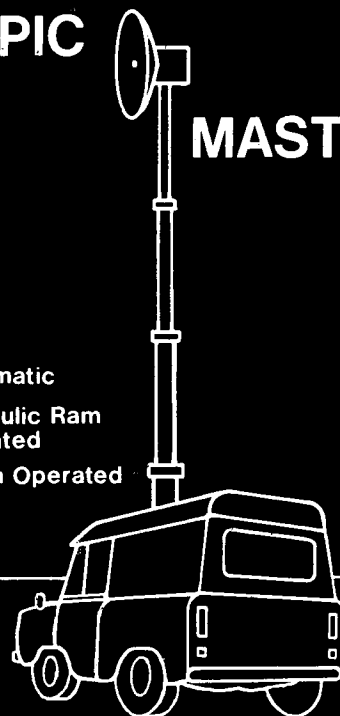
CIRCLE 18 FOR FURTHER DETAILS.

TELESCOPIC

MASTS



- Pneumatic
- Hydraulic Ram Operated
- Winch Operated



Hilomast Ltd

THE STREET - HEYBRIDGE - MALDON
ESSEX - CM9 7NB - ENGLAND
Tel. (0621) 56480 Telex. 995855

CIRCLE 32 FOR FURTHER DETAILS.

GOOD NEWS

FOR S100 USERS FULCRUM (EUROPE) LTD

Distribute & technically support over 160 different S100 products.
Select from manufacturers like:

MACROTECH INT. • ADVANCED DIGITAL CORP. • ACKERMAN DIGITAL SYSTEMS • INNER ACCESS CORP. • LOMAS DATA PRODUCTS • COMPUPRO • CALIFORNIA COMPUTER SYSTEMS • DUAL SYSTEMS • TELETEK • INTERCONTINENTAL MICRO - SYSTEMS • SEMIDISK SYSTEMS INC • HIGH TECH. ELEC. LTD • I/O TECH. INC. • SD SYSTEMS • SOLID STATE MUSIC • KONAN CORPORATION • JADE COMPUTER PRODUCTS • MULLEN COMPUTER PRODUCTS INC • DATA SYSTEMS CONSULTANTS • ILLUM. TECH. INC. • ZENITH DATA SYSTEMS • BICC-VERO

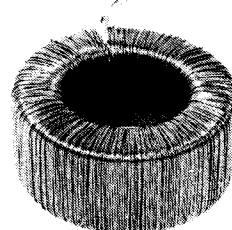
CALL US ON (0621) 828763

VALLEY HOUSE, PURLEIGH, ESSEX CM3 6QH, ENGLAND
TELEX 946240 C WEASY G - Easylink I.D. 19010455

CIRCLE 7 FOR FURTHER DETAILS.

Toroidal Transformers

as manufacturers we are able to offer a range of quality Toroidal Transformers at highly competitive prices and fast delivery.



Mail Order Price List

15VA 6.92. 30VA 7.18. 50VA 8.86. 80VA 9.92. 120VA 10.59. 160VA 12.10. 22VA 13.69. 300VA 14.77. 500VA 19.20. 625VA 22.09. 750VA 26.17. 1KVA 42.22. 1.2KVA 46.79. 1.5KVA 52.06. 2KVA 68.95. price includes p+p & vat.
Available from stock in the following voltages: -6-0-6, 9-0-9, 12-0-12, 15-0-15, 18-0-18, 22-0-22, 25-0-25, 30-0-30, 35-0-35, 40-0-40, 45-0-45, 50-0-50, 110, 220, 240(max. 10 amp). Primary 240 volt.

Quantity Prices and delivery on request
(we also manufacture conventional E1 type transformers)

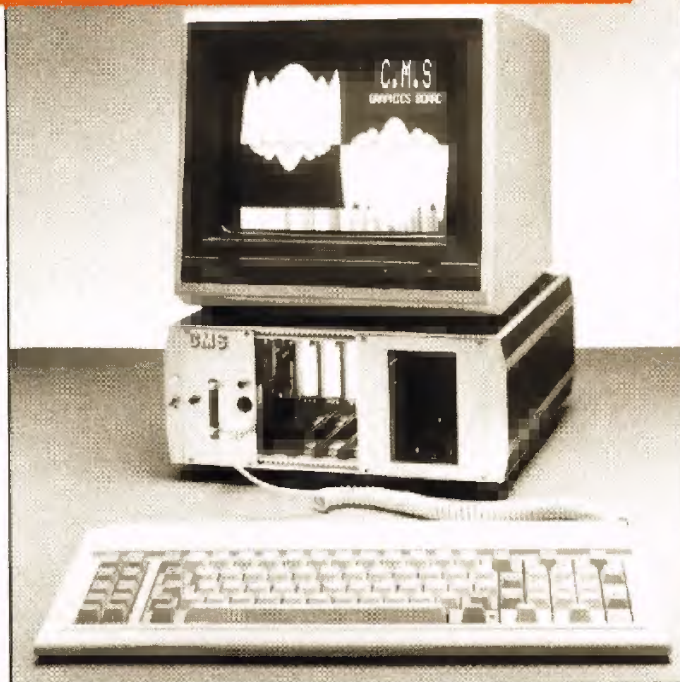


Airlink Transformers.

Unit 6, The Maltings, Station Road,
Sawbridgeworth, Herts. Tel: 0279-724425.

CIRCLE 64 FOR FURTHER DETAILS.
ELECTRONICS & WIRELESS WORLD MARCH 1986

PROBABLY THE ONLY DEVELOPMENT SYSTEM YOU'LL EVER NEED . . .



. . . runs FLEX, a powerful, well supported operating system; and gives access to a vast range of high level languages, Compilers and Cross Assemblers including: Z8, 8048, TMS7000, TMS320, 6800, 6802, 6808, 6801, 6803, 6301, 6805, 6502, 8085, 8080, Z80, 68000.

Its attractive modular design allows for easy expansion as your demands increase.

The complete system comprises:

- a 6809 Industrial Controller with 64K DRAM, battery backup, and Real Time Calendar Clock.
- the new CMS Floppy Disc Controller, supporting up to three Quad Density 3.5* or 5.25 Disc Drives. *two fitted as standard
- the recently introduced 40/80 Column Teletext Card with Centronics Printer Port and Serial Communications to an IBM style keyboard. All housed in an extremely rugged Industrial rack.

This has to be the Best Value For Money on the MDS market today!

CMS Cambridge Microprocessor Systems Limited

44a Hobson Street, Cambridge CB1 1NL ☎ 0223-324141

CIRCLE 29 FOR FURTHER DETAILS.

TEST INSTRUMENTS

A wide range of high performance instruments that put professional test capability on your bench.

COUNTERS — TF600 5Hz to 600MHz TF200 10Hz to 200MHz TF040 10Hz to 40MHz PFM200A 20Hz to 200MHz (hand-held model) TP600 prescales to 600MHz TP1000 prescales to 1000MHz

MULTIMETERS — TM351 0.1% 3½ digit LCD TM356 0.25% 3½ digit LCD TM355 0.25% 3½ digit LED TM354 0.75% 3½ digit LCD (hand-held model) TM451 0.03% 4½ digit LCD with autoranging and sample hold TM452 0.05% 4½ digit LCD with built-in frequency counter (hand-held model)

OSCILLOSCOPE — SC110A 10MHz 10mV sensitivity 40mm CRT with 6mm graticule divisions

THERMOMETERS TH301 -50°C to +750°C 1° resolution TH302 -40°C to +1100°C and -40°F to +2000°F 0.1° and 1° resolution Both accept any type K thermocouple

GENERATORS — TG101 0.02Hz to 200kHz Function Generator TG102 0.2Hz to 2MHz Function Generator TG105 5Hz to 5MHz Pulse Generator TG501 0.005Hz to 5MHz Function Generator TG502 0.005Hz to 5MHz Sweep Function Generator TG503 0.005Hz to 5MHz Pulse Function Generator

LOGIC ANALYSERS — TA2080 8 channel 20MHz TA2160 16 channel 20MHz

ACCESSORIES Bench rack test leads carrying cases mains adaptors probes thermocouple probes microprocessor disassembly options

For further information contact

Thandar Electronics Ltd London Road, St Ives, Huntingdon Cambs PE17 4HJ Telephone (0480) 64646 Telex 32250

 **thandar**
ELECTRONICS LIMITED

CIRCLE 21 FOR FURTHER DETAILS.





RAEDEK ELECTRONICS

Tel 021-474 6000

Telex No 312242

MIDLTX G.

ALSO DISTRIBUTORS FOR RICHARDSON,
CETRON AND NATIONAL ELECTRONICS

102 PRIORY ROAD, SCRIBERS LANE, HALL GREEN, BIRMINGHAM, B28 OTB. ENGLAND.

TRANSISTORS:

VALVES:

TYPE:	LIST:	TYPE:	LIST:	TYPE:	LIST:	TYPE:	LIST:	TYPE:	LIST:	TYPE:	LIST:	TYPE:	LIST:
	£		£		£		£		£		£		£
2N3375	10.90	2SC1978	6.40	AH211A	137.50	EF94	2.00	OA3	2.50	6AU6GT	3.70	813	30.00
2N3553	1.60	2SC2053	0.80	AH2511	90.00	EF95	1.60	OB2	2.50	6AZ8	3.80	934	18.00
2N3632	12.95	2SC2237	13.00	AH2532	31.50	EF183	1.90	OB3	2.50	6BA6	1.50	935	41.20
2N3733	12.95	2SC2287	9.60	BT5	52.50	EF184	1.80	OC3	2.50	6BE6	1.95	2050	4.80
2N3866	1.20	2SC2290	24.00	BT58	52.50	EK90	1.40	2C39A	39.90	6BH6	2.15	2050A	4.80
2N4416	0.75	MRF240	20.70	BT17	142.00	EL34	3.90	2C39WA	42.00	6B36	2.00	5544	81.00
2N4427	1.40	MRF245	33.00	BT17A	130.00	EL36	2.30	2D21	2.00	6BK4C	4.50	5545	95.00
2N5090	10.90	MRF247	33.30	BT95	125.00	EL84	1.60	2E26	7.50	6BN8	3.50	5557	24.50
2N5109	1.95	MRF433	9.00	C3J	30.00	EL85	2.10	2K25	114.00	6B26	2.50	5559	52.50
2N5160	3.00	MRF449A	10.15	C3JA	30.00	EL119	7.70	3 400Z	78.00	6C4	1.95	5727	2.95
2N5589	7.60	MRF450	14.95	E55L	56.00	EL803S	9.95	3 500Z	85.00	6CB6A	1.80	5857A	140.00
2N5590	7.90	MRF450A	14.95	E80CC	14.00	EL821	13.75	3B28	15.00	6CJ3	2.30	5879	6.15
2N5591	9.50	MRF454	17.25	E80L	21.00	EN32	16.25	3C45	24.50	6CV4	6.30	5965	2.20
2N5641	6.95	MRF454A	17.25	E88CC	3.90	EN91	2.00	3CX100A5	35.00	6DC6	2.45	5991	32.00
2N5642	9.30	MRF455	16.50	E90CC	7.50	EZ80	1.60	4 65A	52.50	6E5	4.20	6130	24.50
2N5643	11.85	MRF458	17.20	E130L	21.25	EZ81	1.50	4 125A	60.00	6FA8	2.25	6146A	9.00
2N5913	2.50	MRF475	2.30	EB91	1.35	FZ90	1.50	4 250A	76.00	GGK6	2.50	6146B	9.00
2N5944	7.85	MRF476	2.15	EBC91	1.10	FG17	24.50	4 400A	80.00	GHF5	4.25	6360A	4.95
2N5945	10.10	MRF644	22.50	EBF89	1.35	FG105	160.00	4 400B	80.00	6HS6	3.95	6550A	7.25
2N5946	10.80	MRF646	27.00	ECC32	1.25	GXU1	15.00	4 400C	80.00	6JB6A	4.20	6883B	8.70
2N6080	6.65	MRF648	32.70	ECC32	3.25	GXU4	45.00	4B32	30.50	6J56C	6.25	6973	3.95
2N6081	8.40	MRF901	2.75	ECC81	1.60	GZ34	2.10	4C35A	135.00	6J56C	4.70	7027A	6.50
2N6082	10.50	SD1013	9.75	ECC82	1.60	KT66	9.00	4CX250B		EK7	2.50	7199	4.20
2N6083	11.20	SD1019-STUD	23.10	ECC83	1.60	KT77	8.75	EIM AMP	55.00	6K11	2.25	7247	3.20
2N6084	12.00	SD1019.5	22.80	ECC85	1.85	KT88	24.95	4CX250B		6KD6	5.90	7262A	26.00
2SC1729	15.50	SD1127	3.10	ECC88	2.00	ML8536	275.00	NAT	48.00	6KDB	2.00	7360	12.20
2SC1945	3.45	SD1134.1	2.25	ECC91	2.00	ML8741	265.00	4CX350A	87.00	6L6GC	3.90	7586	11.50
2SC1946A	16.00	SD1136	11.90	ECC189	2.00	NL SERIES		4X150A	33.70	6L06	6.25	7587	35.00
2SC1947	8.50	SD1143	9.40	ECF80	1.50	QOV02.6	22.00	5AR4	2.10	6Q11	2.25	7591A	4.65
2SC1969	2.10	SD1219	14.70	ECF81	1.65	QOV03.10	5.30	5A54A	2.10	6SL7GT	2.25	7815AL GE	48.00
2SC1970	1.40	SD1272	10.95	ECF801	1.80	QOV03.12	7.00	5R4GYA B	3.50	6SN7GTB	3.05	7815R	53.00
2SC1971	3.50	SD1278	13.75	ECM81	2.30	QV3.65	57.50	5U4GB	2.10	6U8A	2.00	8122	101.00
2SC1972	9.50			ECL82	1.90	QV3.125	63.00	5V4GA	2.50	12AT6	1.50	8906AL	55.00
				ECL86	1.60	QV4.250	69.80	6AH6	2.30	12AU6	1.70	150B2	6.50
				EF80	1.70	RG1 240A	10.00	6AK5W	2.50	12AV6	2.00	572B	52.00
				EF85	3.00	RG4 3000	90.00	6AK6	1.95	12BA6	1.80	807	2.90
				EF86	2.30	XG1 2500	52.50	6AL5W	1.80	12BA7	2.35	810	75.00
				EF89	2.30	XG5 500	24.50	6AQ5A	1.75	12BE6	2.00	812A	36.85
				EF91	2.95	XR1 3200	72.50	6AQ5W	1.80	12BY7A	2.70		
				EF92	2.20	XR1 6400	120.00	6AS6	2.40	12BZ6	3.70		
				EF93	1.50	QA2	2.00	6AS7G	4.30	12DW7	3.75		

Also available Camera Tubes, Cathode Ray Tubes,
Ignitrons, Eimac Power Tubes and accessories.
American tubes

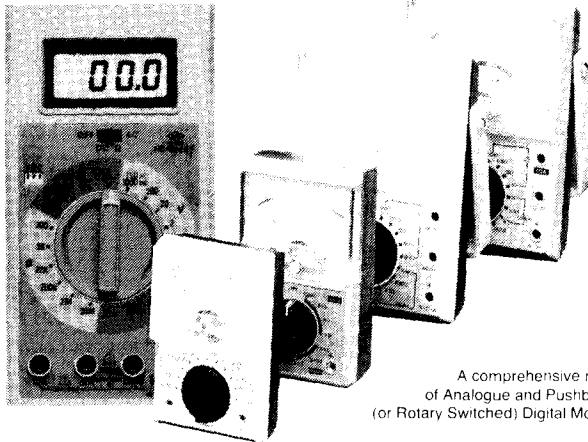
Many 1000's of VALVES/TRANSISTORS/IC'S IN STOCK. PLEASE ENQUIRE ON TYPES NOT LISTED.

Prices: Are correct at time of going to press and may be subject to alteration.
V.A.T.: All prices are excluding V.A.T. please add 15% to order and postage.
Guarantee: All goods are of current production and sold with manufacturer's warranty.

Terms: C.W.O.
Postage: Packing: Add 11.00 to order

CIRCLE 45 FOR FURTHER DETAILS.

AFFORDABLE ACCURACY QUALITY MULTIMETERS FROM ARMON



A comprehensive range
of Analogue and Pushbutton
(or Rotary Switched) Digital Models.

ANALOGUE

HM-102BZ
10ADC Range, 20uVDC. Buzzer, Battery Test
Scale.....£13.00
19 measuring ranges
HM-102R
Low end voltage & current ranges, Jack for Audio
inp Voltages.....£11.00
20 measuring ranges
HM-1015
Rugged, Pocket sized meter, for general purpose
use.....£7.50
16 measuring ranges
Battery, Test Leads and Manual included with
each model.

DIGITAL

HC-7030 0.1% Accuracy Standard Model.....£39.50
HC-6010 0.25% Accuracy Standard Model.....£33.50
HC-5010T 0.25% Accuracy TR Test Facility.....£39.50
DM-105 0.5% Accuracy Pocketable.....£21.50
All models have full functions and ranges and
feature:
3 1/2 digit 0.5" LCD display
Low battery indication
Auto zero and Auto polarity
ABS Plastic Casing
DC AC 10amp Range (not DM-105)
Overload Protection on all ranges
Battery, Spare Fuse, Test Leads and Manual

FULL DETAILS ON APPLICATION FROM:-



ARMON ELECTRONICS LTD



DEPT. A HERON HOUSE, 109 WEMBLEY HILL ROAD, WEMBLEY, MIDDLESEX HA9 8AG

TELEPHONE 01-902 4321 TELEX 923995

PLEASE ADD 15% to your order for VAT. P&P Free of charge. Payment by cheque with order

Offer applicable to mainland UK only

Trade enquiries invited

Please allow 28 days for delivery

CIRCLE 41 FOR FURTHER DETAILS.

LOOK AHEAD!

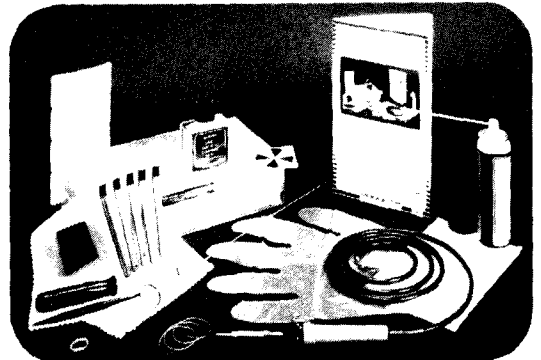
WITH MONOLITH MAGNETIC TAPE HEADS

DOES YOUR VCR GIVE WASHED OUT NOISY
PICTURES - ITS PROBABLY IN NEED OF A NEW
HEAD - FAST FROM OUR EX-STOCK DELIVERIES.
SAVE £££'s ON REPAIR CHARGES.

Our universal replacement video
heads fit all models of VHS or
Betamax VCR's. Following our
replacement guide and with a
practical ability, you can do the
whole job in your own home with
our head replacement kit.

**VIDEO HEADS
AT LOW
PRICES!**

VIDEO HEAD REPLACEMENT KIT



VMC-02 KIT ONLY £19.95 inc. VAT. + £2.50 p&p
TELEPHONE US NOW FOR INFORMATION OF THE
REPLACEMENT HEAD FOR YOUR VIDEO RECORDER.

CATALOGUE: For our full Catalogue of Replacement
Video and Audio Cassette/Reel to Reel Heads, Motors,
Mechanisms, etc. Please forward 50p p&p.

THE MONOLITH ELECTRONICS CO. LTD.
5-7 Church Street, Crewkerne, Somerset TA18 7HR, England.
Telephone: Crewkerne (0460) 74321 Telex: 46306 MONLTH G

CIRCLE 10 FOR FURTHER DETAILS.

ELECTRONICS & WIRELESS WORLD MARCH 1986

A look inside: computer-aided metallurgy

Video processing and computer technology combine to allow automatic analysis of metallic structures

In the field of metallurgy it is possible to obtain a great deal of information about a sample of metal by the physical (magnified) picture it presents to the outside world. Using a magnification of 300, and a short etching and polishing process, it is possible to clearly see boundaries and occlusions within the metal.

With the aid of a video camera, the image displayed provides enough detail to allow an electronic solution to the problem of carrying out measurements on the metal structure. Although this article deals with a specific case of measurement, the techniques outlined are equally applicable to any situation where a measurement between black and white transitions on a video image is required.

What information can be obtained from such a picture? The task of digitizing a video picture in real time is both complicated and costly. In a situation where an image is moving this approach would be necessary, but where the image is fixed — such as that seen by the microscope and camera combination — a fast conversion process is not justified.

For any kind of computer analysis of a picture, conversion from the analogue video signal to the equivalent digital representation is required. Analysing the information available and the results required, it is only necessary to determine at any instant whether the video signal is either above or below a given voltage threshold. It is then easy to discriminate

between light and dark areas of the displayed picture, thus identifying the crystal boundaries, by appropriate choice of the threshold. Applying this to a practical system a video signal can be processed with a simple high-speed comparator circuit at a fraction of the cost of a high-speed 'flash' a-to-d converter.

The hardware described is designed to be as flexible as possible in its interface requirements to allow interface to almost any computer system or even to a dedicated micro-processor system. The hardware presents its data output in eight-bit parallel form, with no parity but with three control lines to provide a form of parity checking and device handshaking. Complete parity checking is not included because the error in the final

result produced by a 'bit error' doesn't justify the extra work required to implement the process.

The system is designed to provide the following information about the crystal structure

- maximum width of the largest crystal sample (the largest distance between two black areas in the picture)
- maximum height of any lattice element in the picture
- number of occlusions in the area under investigation
- size (both length and width) of the largest occlusion.

The final hardware system provides a matrix of 512 by 256 elements, allowing convenient storage of data with a reasonably high resolution system.

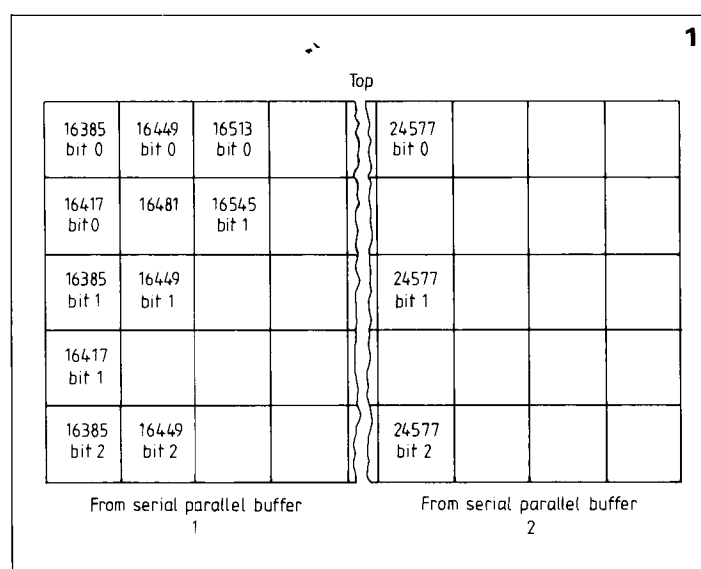
Using the criteria outline it is

by L. Paul Goodwin,
B.Sc. A.M.I.E.E.

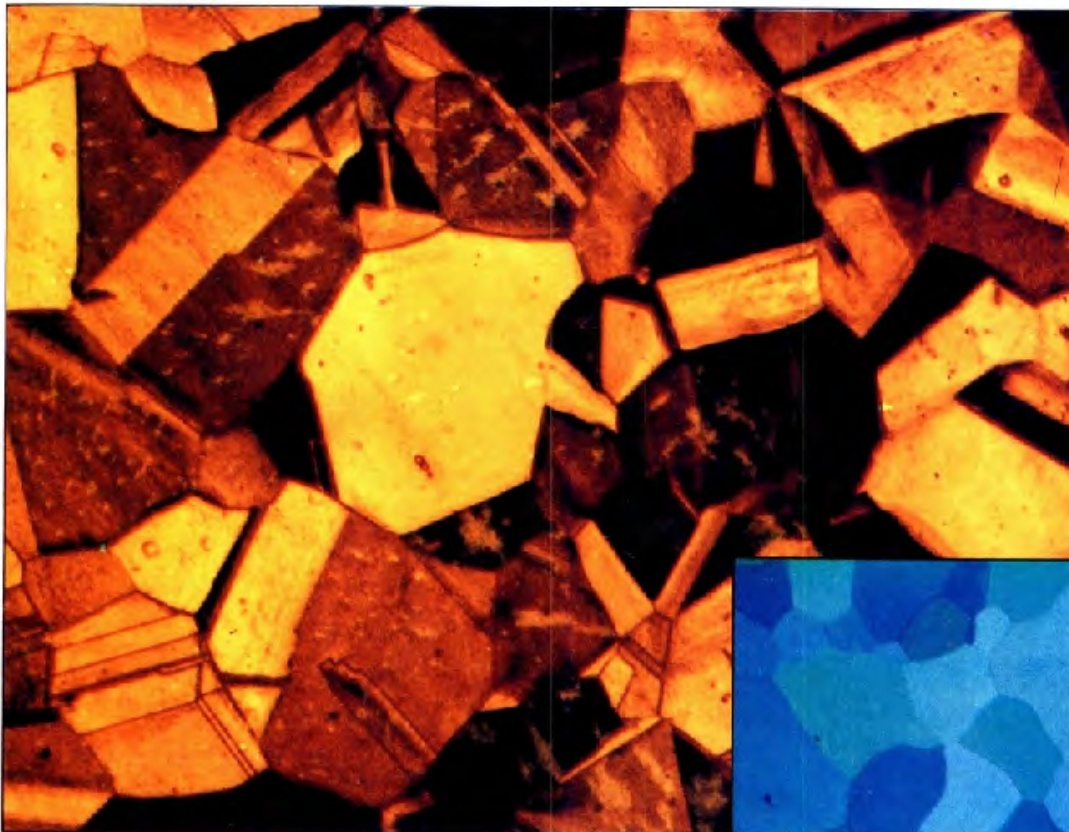


Paul Goodwin is telecommunications engineer with Mott, Hay & Anderson, a Croydon firm of consulting engineers. He joined Marconi Avionics in 1978 as a student apprentice, and subsequently graduated from London's City University with an honours degree in electrical and electronic engineering.

He is a licensed radio amateur (G6ANO), and hobbies include computer programming, audio and video production.



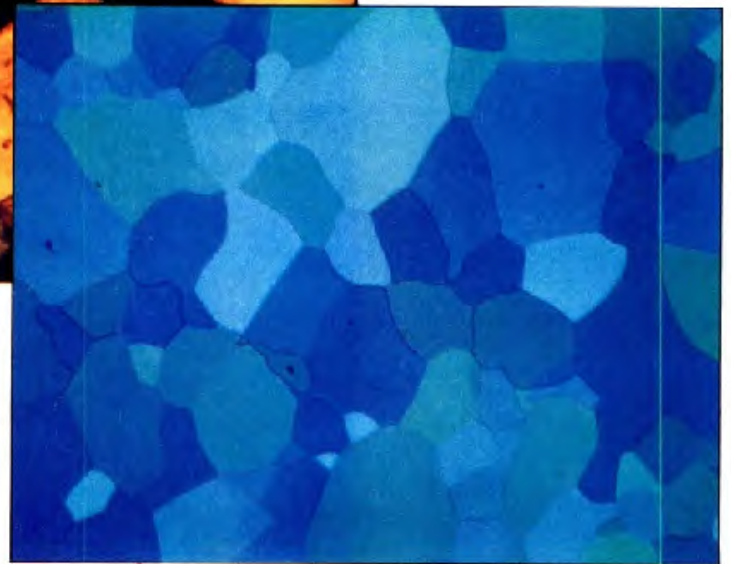
For the resolution required the memory size of the computer must be at least 16Kbytes for data storage plus any memory required for the input and analysis program. Because only one bit is used to define any one element's state, use is made of a serial-to-parallel converter to produce a normal eight-bit word-length for input to the processor. Diagram 1 shows the way in which the information is stored in the memory of the computer.



Microsections of fully annealed electrical-grade copper (above) and aluminium (below) pictured at City University. Polarized light picture (below) shows $25\mu\text{m}$ crystals, the film of oxide polarizing the illumination.

not possible to digitize the frame in one pass (40ms) so the hardware is designed to take two samples from each video line per frame. As the period is $64\mu\text{s}$ this allows approximately 32 μs for the data to be transferred to the analysis computer — ample time to format the data into the final memory map for analysis.

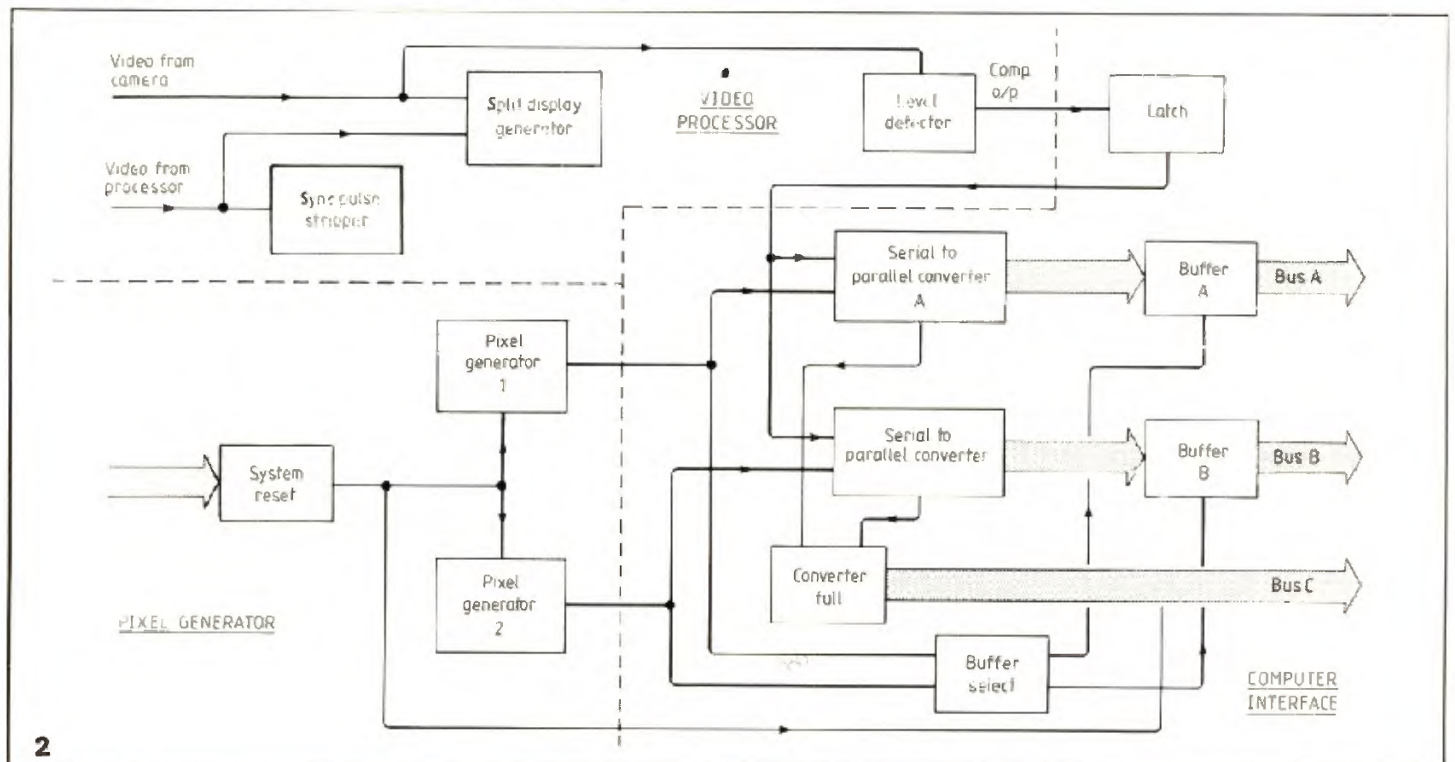
Part 2 of this article will detail video processor and computer interface.

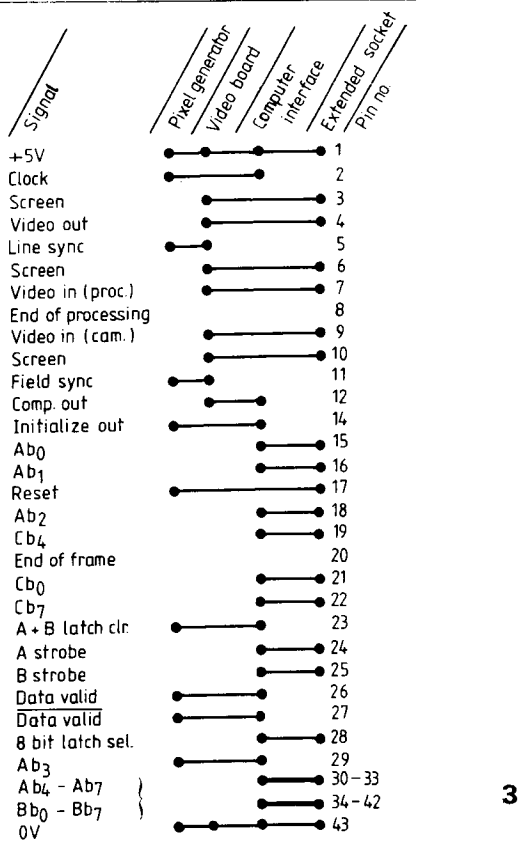


Composite video output

is provided with sync pulses extracted from the video output of the computer system. Sync pulses allow the video camera to be genlocked

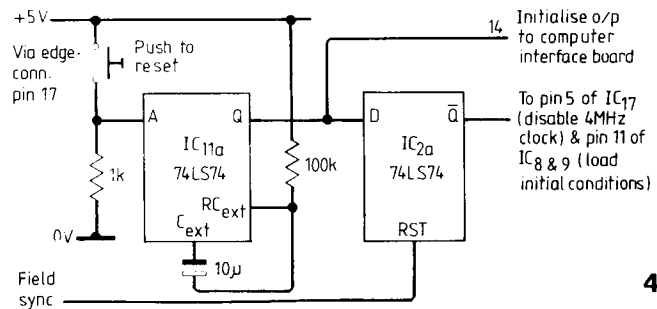
to the computer system so that a simple video switching circuit can superpose the computer analysis results onto the lattice picture.



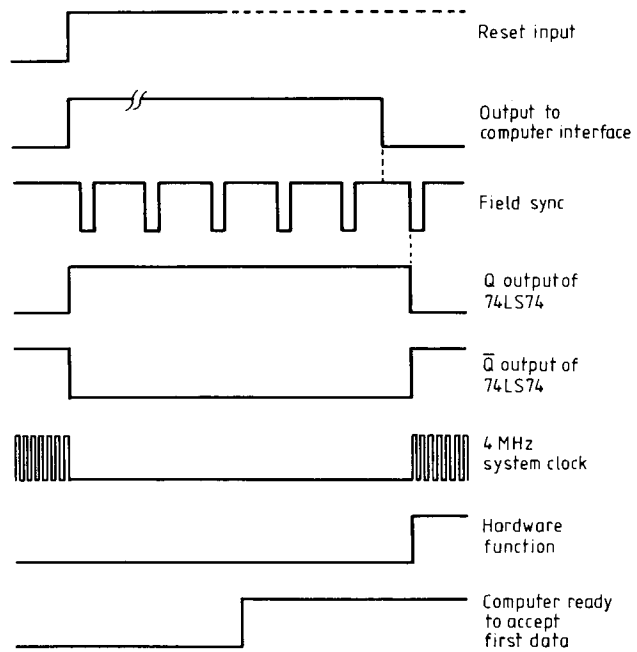


3

Each circuit board provides a number of different system functions and all interlinking signals are passed between boards using a common bus arrangement.



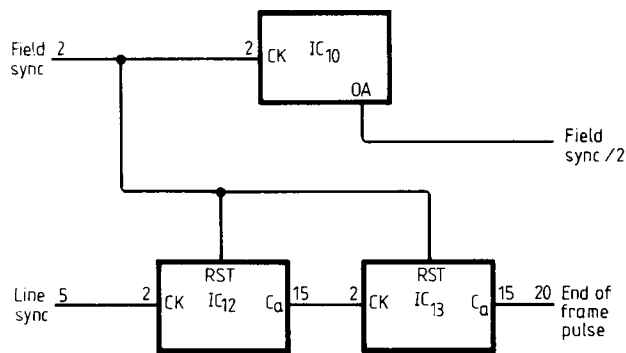
4



5

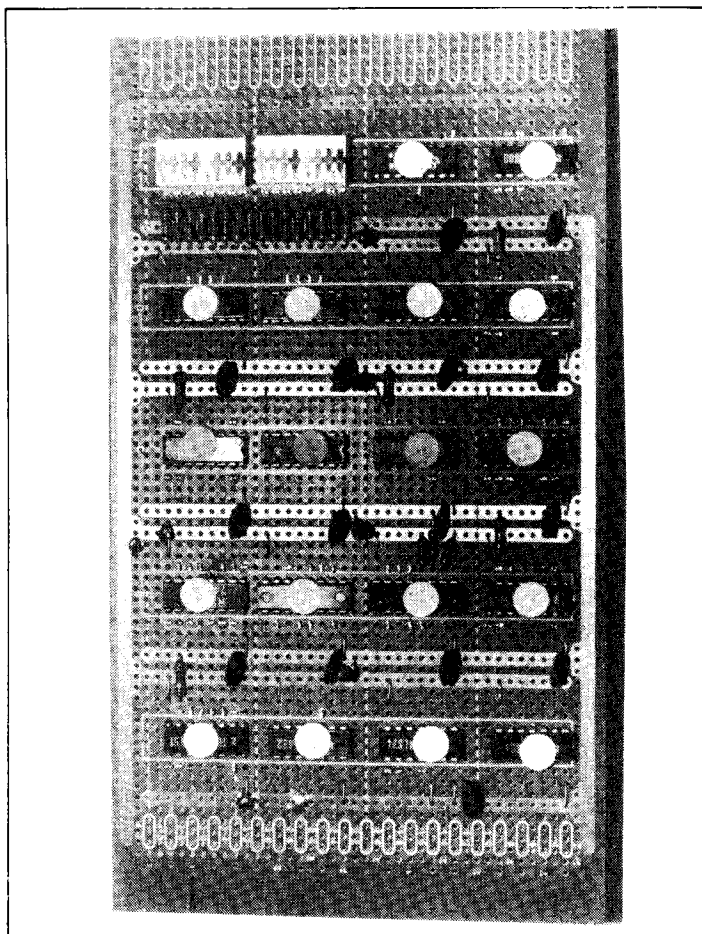
System reset is required to reset all the hardware counters and to provide a pulse to the computer to initialize the program to accept data. On application of a reset command to the circuit the system reset cycle shown is initiated.

Original design fitted onto three Eurocard circuit boards, designated pixel generator, video processor and computer interface.



6

Because of the interlace of field scans a signal which discriminates between odd and even fields is needed. This simple counter circuit provides a field sync ÷ 2 output and also produces a pulse after every 256 lines of video (512 for two frames).



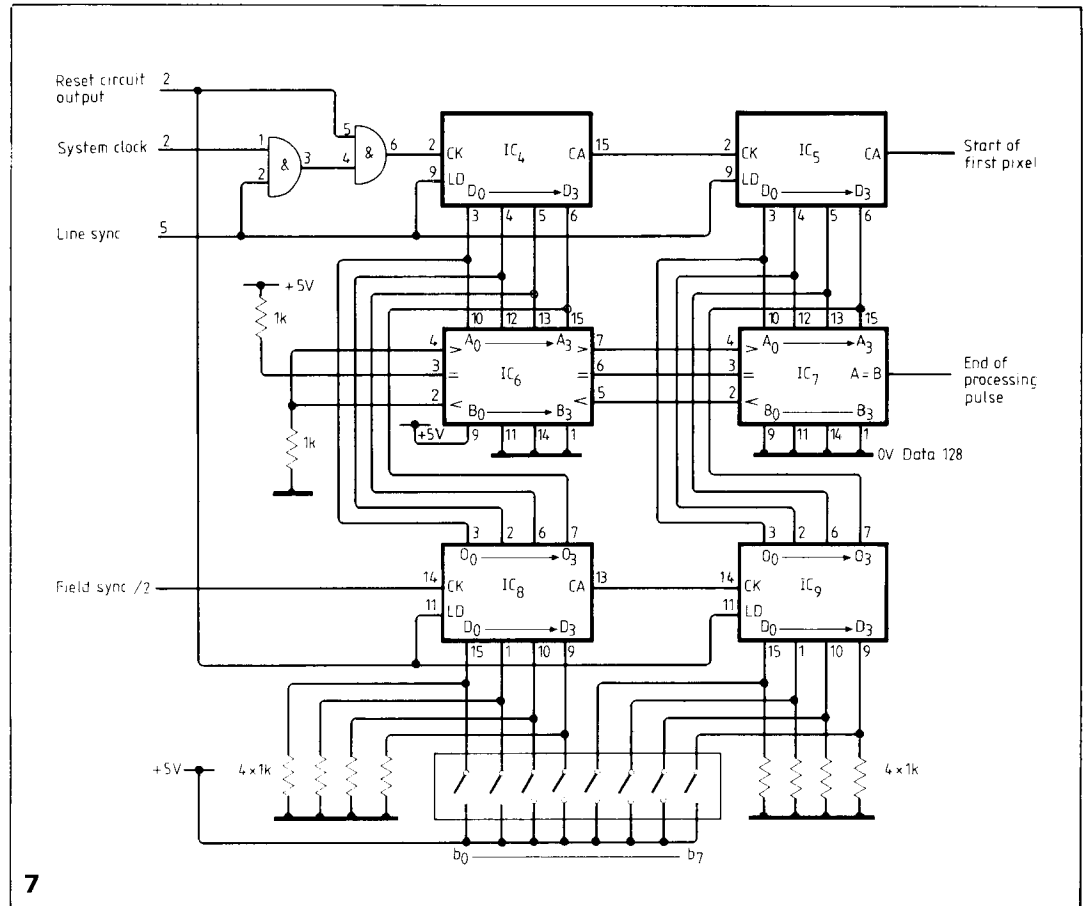
Generator one produces a pulse that indicates the beginning of the first element to be sampled per video line. This position obviously has to increment once every frame (two fields) so that sampling moves across the screen. IC4 & 5 are cascaded to form an eight-bit up counter while IC8 & 9 form an eight-bit down counter. The last-mentioned are initially loaded with 255 by the initialization pulse from the system reset circuit (Fig. 4). The counter outputs provide the data inputs to IC4 & 5. The start of the first element is defined as the time when the output of the up-counter changes from 255 to 0, and is taken from the carry output.

After the system reset the up-counter contains 255 and so the next clock input produces the start of the first pixel pulse. The line sync pulse to IC4 & 5 loads data into the counter and inhibits the 4MHz clock during this operation. The pixel position is stationary for two fields (one frame). IC8 & 9 are then clocked to give an output of 254, to be loaded into the up-counter on the occurrence of the next line sync pulse, so that when the 4MHz clock is enabled it will take the up counter one clock cycle more to produce a carry pulse.

Thus the position of the start of the first pixel has moved along the tv line by one clock cycle or 250ns. Decrementing the down-counter continues until the output is 128 and the end of the first sample is at the centre of the screen, where generator two will have begun sampling.

Circuits 6 & 7 are cascaded to form an eight-bit magnitude comparator that has data inputs set to 128. The second set of inputs are the outputs from the down-counter. When this reaches 128 all the elements on the screen will have been sampled and an 'end-of-processing' pulse is produced. (7)

Generator two provides the position of the start of the second element to be sampled on one line, as well as the 'data valid' signal, which

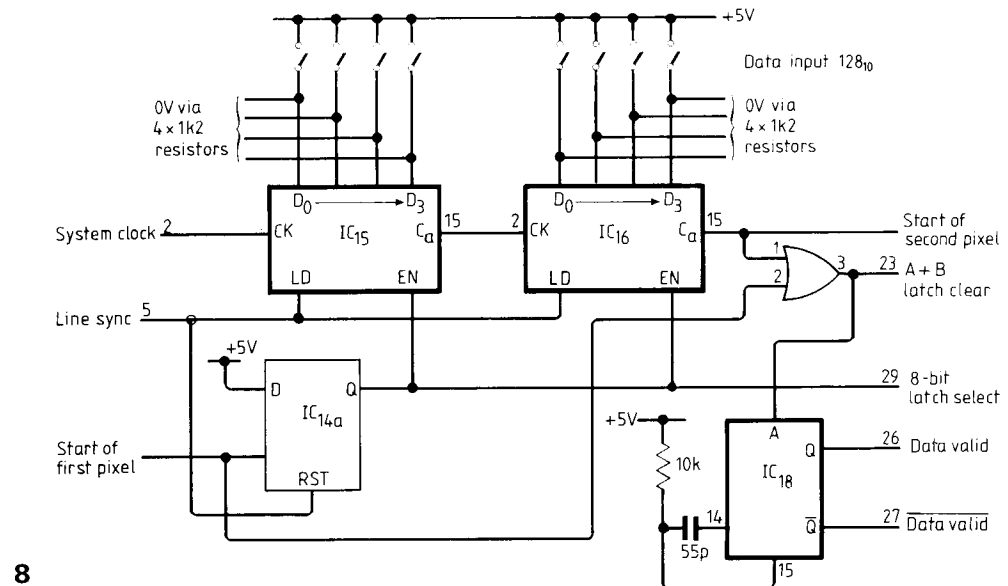


7

marks the length of one element and the 'eight-bit latch select' for the computer interface. A pulse is also generated to clear the level detector latch on the video processor board. IC15 & 16 form an eight-bit counter, the output of which provides the 'start of second pixel' indication. When the start of the first has occurred this

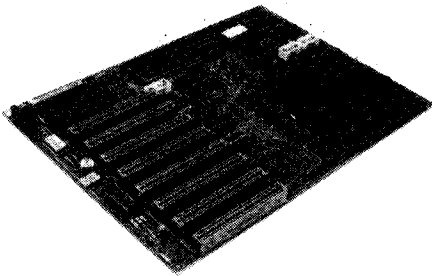
eight-bit counter is enabled, already set up at the beginning of the line by the line sync pulse. The 4MHz clock is again used and 128 clock pulses occur between the start of elements one and two. The second is always half a tv line away from the first. The 'eight-bit latch select' line indicates whether the system is taking the first

or the second sample on the line, thus defining which of the two latches is to receive the data. 'Data valid' is triggered at the beginning of each pixel and is active for one pixel length. 250ns. DIL switches were used on the prototype to allow flexibility in setting the timing thresholds and to modify the area of the picture sampled.



8

3 GOOD REASONS FOR CALLING CO-STAR



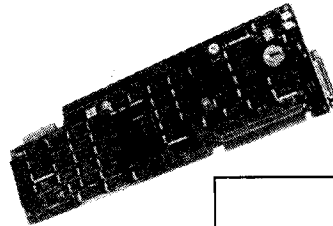
CS-2000 — MOTHER BOARD

The CS-2000 IBM PC/XT* compatible brings a breath of fresh air to the market place. The high quality six layer Personal Computer Board incorporates all the standard features found in an IBM PC/XT Mother Board with the addition of the following features.

1. Six Eprom Sockets 2764/128.
2. No Wait States.
3. Up to 640K of parity checked on board DRAM.
4. Dual Processor Speeds 4.77 MHZ OR 6.67 MHZ, software toggled.
5. Hardware reset.

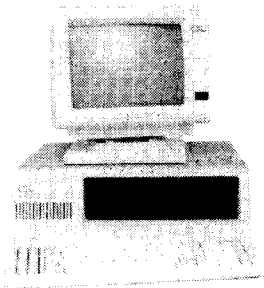
CS-2015 MULTIFUNCTION CARD

The new CS-2015 Multifunction card for your IBM PC/XT* or compatible combines the most commonly requested functions, all on one card. The use of custom PALS reduces the space required for the circuits and the power needs resulting in a compact and powerful board with the following features:— Floppy Disk Controller, Tape Back-up Port, parallel printer, two serial coms port, Real Time Clock Calendar with battery backup and Games Port.; Optional plug in 384K DRAM expansion Module. Software is included for Clock/Calendar, Printer Spooler and RAM Disk. These features would normally take 2 or 3 expansion slots.



WARRANTY

We offer a 5 YEAR UNCONDITIONAL WARRANTY on ALL our boards and 1 2 year unconditional warranty on complete system.



CS-DAWN HD

The CS Dawn Hard Disk is a complete personal computer system incorporating CO-STAR's range of boards designed and manufactured in Britain. It is the culmination of Co-STAR's expertise resulting in a fast effective economic machine which excels beyond it's peers. Spacious architecture of the CS-Dawn ensures space for any further enhancements should you require them. Totally compatible with the IBM PC/XT it is therefore able to run the wide range of software presently available and at up to 29% faster.

- * Registered trademarks
- * Specifications and prices subject to change without notice

Please include remittance with order. Credit Card purchases must be telephoned



CO-STAR LIMITED

321 BRIDGEGATE HOUSE

IRVINE

AYRSHIRE KA12 8BD

TELEPHONE
IRVINE (0294) 311555

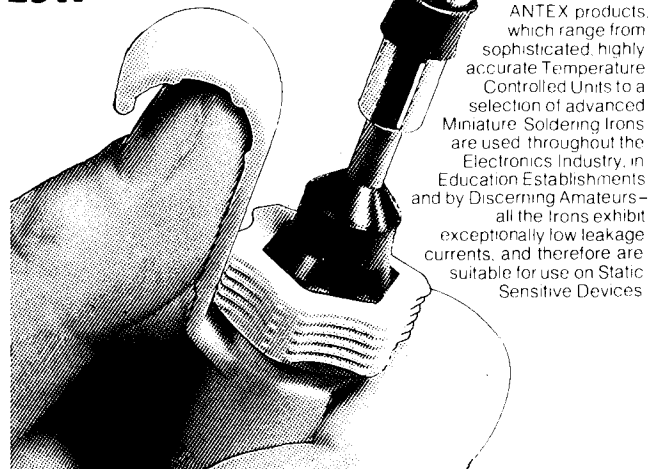
CIRCLE 48 FOR FURTHER DETAILS.

Top Tips from Antex

The ANTEX range of Soldering Irons and Accessories has a reputation in 69 Countries throughout the World for Quality at a very Competitive Price.

The Element/Bit design gives higher Thermal Efficiency and Lower Power Consumption and a large selection of Iron and Chrome or Iron and Nickel plated bits is available for each soldering tool.

Model XS 25W **£7.48**
Inc. VAT plus P&P
Total Price £8.03

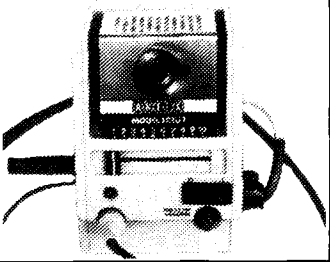


ANTEX products, which range from sophisticated, highly accurate Temperature Controlled Units to a selection of advanced Miniature Soldering Irons are used throughout the Electronics Industry, in Education Establishments and by Discerning Amateurs - all the Irons exhibit exceptionally low leakage currents, and therefore are suitable for use on Static Sensitive Devices.

ANTEX TOP TIP

The ANTEX TCSU-1 soldering station, designed and made in England, meets the latest requirements in temperature controlled soldering of sensitive circuits and semi-conductors.

TCSU-1 **£79.25**
Inc. VAT plus P&P
Total Price £82.17



MADE IN ENGLAND

Antex (Electronics) Ltd Mayflower House, Plymouth, Devon Tel: 0752 667377

Please send me a colour brochure I wish to order _____ Model TCSU-1 _____ Model XS I enclose cheque/PO _____

Name _____

Address _____

Tel _____ EWW 3/86

CIRCLE 6 FOR FURTHER DETAILS.

Forthright ✓

mpe



Cross Compilers to produce ROM code

Core (buy only once) £250
Targets (each) £175
6502 6511Q 6800 6801 3 6809
68000 280 8080 8086 1802 28
99xxx LSI 11



FORTH 83 HS/FORTH

1 megabyte programs, graphics floating point assembler strings £230



MPE-FORTH/09 for FLEX or OS9

Editor, assembler, full system integration, cross compilers available

Work-FORTH

New

Complete with:
**SCREEN EDITOR
MACRO-ASSEMBLER
APPLICATION GENERATOR
COMPREHENSIVE MANUAL**

Out now for:
**IBM PC, APRICOT, MSDOS
CPM 86, CPM 80,
AMSTRAD**

Extensions:
**Floating point £45
VIEW-TRACE
debugger £45
Cross-compilers**

We are the **Forth** specialists, we also stock a large range of books, strings and implementations for machines ranging from Amstrad to Atari ST IBM PC to PDP11.

MicroProcessor Engineering Ltd

21 Hanley Road, Shirley
Southampton SO1 5AP
Tel: 0703 780084



CIRCLE 54 FOR FURTHER DETAILS.

Sowter Transformers

With over 45 years' experience in the design and manufacture of several hundred thousand transformers we can supply:

AUDIO FREQUENCY TRANSFORMERS OF EVERY TYPE YOU NAME IT! WE MAKE IT!

OUR RANGE INCLUDES

Microphone transformers (all types), Microphone Splitter/Combiner transformers, Input and Output transformers, Direct Injection transformers for Guitars, Multi-Secondary output transformers, Bridging transformers, Line transformers, Line transformers to B.T. Isolating Test Specification, Tapped impedance matching transformers, Gramophone Pickup transformers, Audio Mixing Desk transformers (all types), Miniature transformers, Microminiature transformers for PCB mounting, Experimental transformers, Ultra low frequency transformers, Ultra linear and other transformers for Transistor and Valve Amplifiers up to 500 watts, Inductive Loop Transformers, Smoothing Chokes, Filter, Inductors, Amplifier to 100 volt line transformers (from a few watts up to 1,000 watts), 100 volt line transformers to speakers, Speaker matching transformers (all powers), Column Loudspeaker transformers up to 300 watts or more.

We can design for RECORDING QUALITY, STUDIO QUALITY, HI-FI QUALITY OR P.A. QUALITY. OUR PRICES ARE HIGHLY COMPETITIVE AND WE SUPPLY LARGE OR SMALL QUANTITIES AND EVEN SINGLE TRANSFORMERS. Many standard types are in stock and normal dispatch times are short and sensible. OUR CLIENTS COVER A LARGE NUMBER OF BROADCASTING AUTHORITIES, MIXING DESK MANUFACTURERS, RECORDING STUDIOS, HI-FI ENTHUSIASTS, BAND GROUPS, AND PUBLIC ADDRESS FIRMS. Export is a speciality and we have overseas agents in the COMMONWEALTH, E.E.C., USA, MIDDLE EAST, etc. Send for our questionnaire which, when completed, enables us to post quotations by return.

E.A. Sowter Ltd.

Manufacturers and Designers

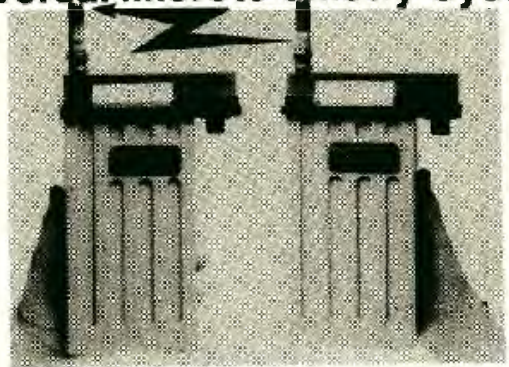
E.A. SOWTER LTD. (Established 1941): Reg.No. England 303990
The Boat Yard, Cullingham Road, Ipswich IP1 2EG, Suffolk
P.O. Box 36, Ipswich, IP1 2EL, England
Phone: 0473 52794 and 0473 219390
Telex 987703G Sowter

CIRCLE 25 FOR FURTHER DETAILS.

ELECTRONICS & WIRELESS WORLD MARCH 1986

MICRO-TEL

Universal Microtelemetry System



Micro-tel is a system of integrated UHF radio/modems ruggedly constructed and suitable for a wide range of 'line of sight' data communications applications.

Features:

- UHF Home Office type approved radio (MPT 1309)
- Now available in 5 or Single Channel Version
- 1200 BAUD INTERNAL MODEM
- 12 Volts/250 m A power
- RS232 Data Input/Output
- SPECIALS TO CUSTOMER SPEC. ALSO AVAILABLE

Micro-tel offers a simple and reliable solution for:

- Building to building computer comms
- Instrument to computer data links
- Industrial systems data links

Dealer and OEM enquiries welcome.

MEASUREMENT DEVICES LIMITED

Unit 2, Capitol House, Haigham Street, Norwich NR2 4TE
 Telephone: (0603) 630031 Telex: 975205,
 Silverburn Crescent, Bridge of Don Industrial Estate, Aberdeen,
 AB2 8EW Telephone: (0224) 824141 Telex: 739506 (MDLAB)

MDL

CIRCLE 84 FOR FURTHER DETAILS.

TEST EQUIPMENT

Telequipment D75 Oscilloscope 50MHz Delayed Sweep	£275.00
Large quantity available	
Telequipment D83 Oscilloscope, Large screen, 50MHz	£975.00
Large quantity available	
Telequipment DM64 10MHz Storage Oscilloscope	£195.00
Philips PM 3233 10MHz Dual Channel Oscilloscope	£196.00
Philips PM 3234 10MHz True Dual Beam Oscilloscope	£325.00
Telequipment D54 10MHz Dual Beam Oscilloscope	£100.00
Tektronix T935A Dual Channel 35MHz Delayed Sweep scope	£325.00
Quantity available	
Tektronic 576 Curve Tracer with adaptors and manual	£3999.00
Gould Advance L5000A 60MHz Logic Analyser	£1550.00
Large quantity available	
Telequipment DM63 Storage Oscilloscope with V4 Plug-ins	£575.00
Leader LFR-5600A Frequency Response Recorder	£1245.00
Hewlett-Packard 214A Pulse Generator (New Colours)	£350.00
Hewlett-Packard 214A Pulse Generator	£250.00
Hewlett-Packard 6521A 1000/200mA Power Supply Units	£250.00
Biometrix X-Y Display	£75.00
Tektronic 603 Storage Monitor	£75.00
Tektronic 611 Storage Monitor	£75.00
Gen. Rad. 160BA Impedance Bridge	£75.00
Hameg HM 705 Dual Channel 70MHz Oscilloscope	£340.00
J.J. Lloyd CR652S 2 Pen Chart Recorder	£175.00
Sorensen DC R600/1 75B 600V/750mA Power Supply Unit	£75.00
Sorensen DC R300/1 5B 300V/1.5A Power Supply Unit	£75.00
Tektronic 3A74 4 Channel Plug-in	£50.00
Tektronic 3a7 Differential Comparator Plug-in	£55.00
Tektronic 3B3 Timebase Plus in	£50.00
Tektronic 3A8 Dual Trace Plug-in	£45.00
Tektronic 3A6 Dual Trace Plug-in	£45.00
Dalipulse 100A Pulse Generator	£50.00
Lyons PG-2E Pulse Generator	£60.00
Hewlett Packard 130C Oscilloscope	£95.00
Centronics 737 Parallel Printer	£100.00
Centronics 737 Parallel Printer with Serial Interface	£120.00
Honeywell Bull 20MB Disk Drive with interface board	£179.00
Hewlett-Packard 3701, 3702, 3703 Link Analysers	£375.00
Hewlett-Packard 141S Display Section	£275.00
Hewlett-Packard 487A Power Amplifier with supply	£175.00
Marconi TF2604 Electronic Voltmeter	£75.00
Marconi TF2600 Electronic Voltmeter	£35.00
Fluke 871A DC Differential Voltmeter	£45.00
Norma U-Function Meter	£45.00
R. & S. Type USVF Selective UHF Voltmeter for 1V Bands 4, 5	£85.00
R. & S. Type ABF TV Modulation Amplifier	£60.00
R. & S. Type ZDD Diagram 300-2400MHz	£100.00
B&K 2206 Precision Sound Level Meter	£275.00
Dawes Rolling Ball Calibrated Noise Source	£25.00
Hewlett Packard 16800A 16830A Bar Code Reader	£25.00
Tektronix 106 Pulse Generators	£60.00
Tektronic Amplitude Calibrators	£40.00
Tektronic 465 100MHz Oscilloscope	£895.00
Tektronic TM504/DC503/FG502/DM502/PS503A system	£1095.00
Systron-Donner 6344A 4.5GHz Frequency Counter	£596.00
Avo Component Comparator C2457.6	£95.00
SE Labs SM111 18MHz Dual Trace Oscilloscopes	£160.00
Tektronic Type W Plug-in	£30.00
Marconi TF893a Power Meter	£50.00

All equipment working and calibrated. VAT and carriage extra.



TIMEBASE Q-TEK

94 ALFRISTON GARDENS, SHOLING, SOUTHAMPTON SO2 8FU
 TELEPHONE: (0703) 431323
 Callers welcome. Access/Barclaycard: Telephone your order

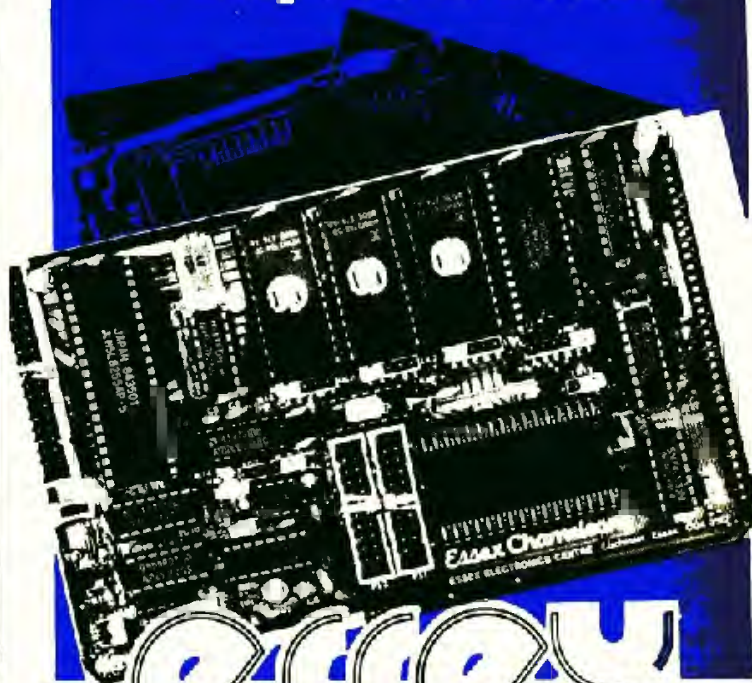


CIRCLE 86 FOR FURTHER DETAILS.

ELECTRONICS & WIRELESS WORLD MARCH 1986



the chameleon that stands out from the crowd...



Essex

chameleon controller

all you need in a single card!

- Program in BASIC or FORTH/ASSEMBLER
- Fully 'Romable' Code
- 54 Digital I/O Lines
- 64K Memory Space (8k RAM supplied as standard)
- Flexible Memory Mapping with PAL and PROM
- Full Duplex Serial Line RS422/423 + CTS, RTS
- Essex Bus with buffered data lines

The Chameleon Controller Card allows you to rapidly get to grips with your application and eliminates wasteful development time. A 5v supply and a terminal is all that is required to enable you to program in BASIC or FORTH/ASSEMBLER.

Other system options include: Floppy Disk Interface, EPROM Programmer, Battery Backed Memory, Real Time Calendar Clock, Opto Isolated I/O, Mains Interfaces, 12 Bit A/D D/A Conversion. A packaged development system is also available.

Attractive discounts
for volume users.

Send Today
for Full Information



Essex Electronics Centre

UNIVERSITY OF ESSEX COLCHESTER CO4 3SO
 Tel COL (0206) 865089

Also supplied by:

RCS MICROSYSTEMS, 01-979-2204

CIRCLE 17 FOR FURTHER DETAILS.

Decoding for faster memory access

Increases in the system clock frequency without the need for faster eproms and rams is possible in many microprocessor systems by making a small modification to decoding logic.

For 2716 eproms, data is available 450ns after a stable address and chip-select signal CS going low, but only 120ns from output-enable line OE going low if CS was low 330ns before.

In many systems, CS is generated by gating the address with an E signal so the minimum machine cycle time must be twice the maximum memory access time with processor data set-up and logic propagation delays added.

If instead CS is derived only from an address, and OE gated with E, about 1/3 of the total cycle time is gained.

Rams are normally faster, with typically 200ns access time for 6116 c-mos rams, but producing the write-enable signal in the same way as OE gives a safety margin large enough for the system to work in all conditions.

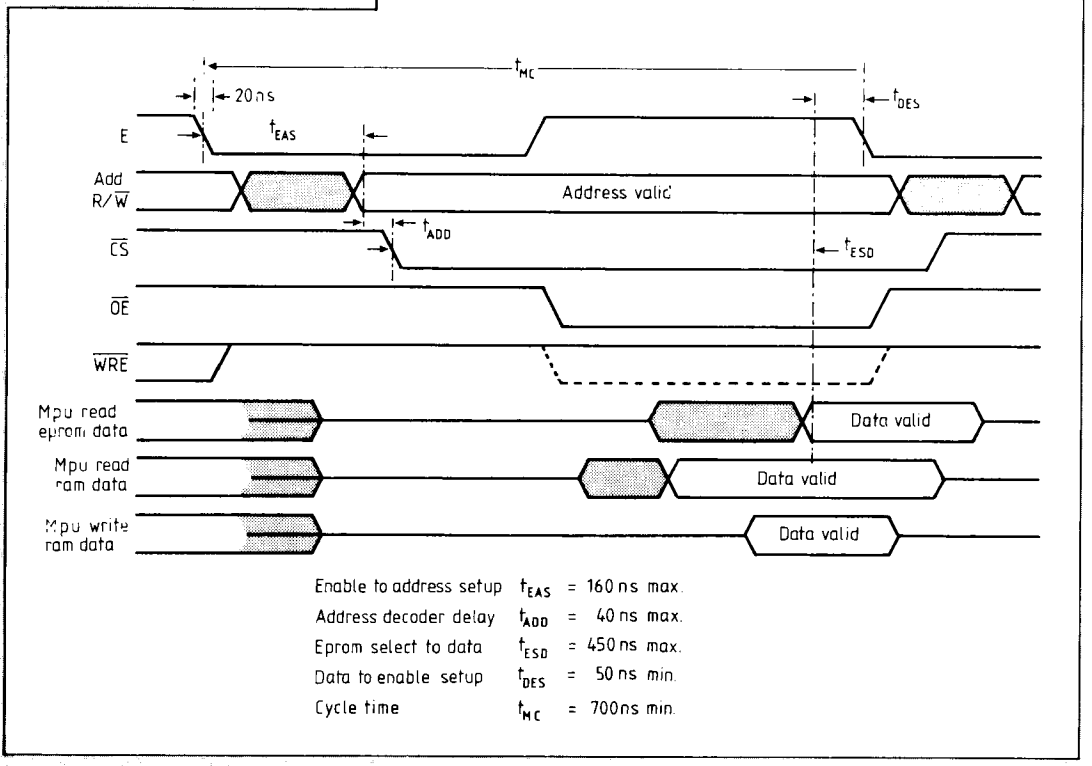
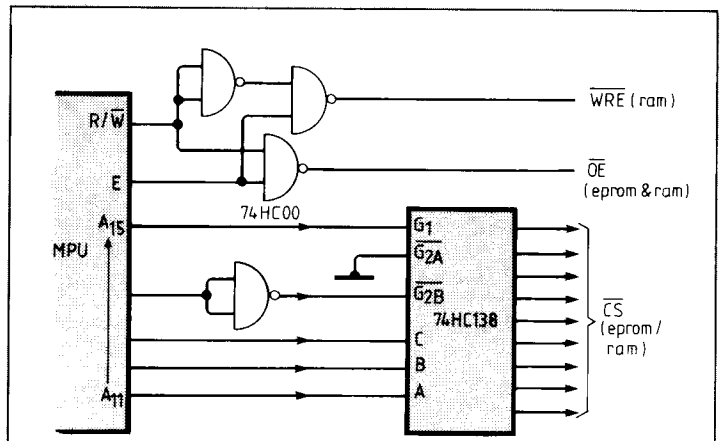
Now machine cycle time can be shortened to about 700ns, with the worst-case condition being shown in the diagram.

Power consumption is not greatly affected as devices are active for much the same amount of time. Increased power is mainly due to the

processor and buffers switching faster, but this is compensated for by shorter execution time.

Battery-powered systems, i.e. c-mos, can greatly benefit from this configuration. I have used this idea with 6802, 6301 and 6303 processors, but the principle applies to other processors.

Erik Margan
Ljubljana
Yugoslavia



High-speed switching of inductive loads

Switching off current through an inductive load causes a high-voltage pulse which usually needs limiting. A diode in parallel with the inductor limits switch-off voltage to about 0.7V but makes discharge time very long:

$$t \approx \frac{L \cdot i_{\text{trip}}}{V_D}$$

where i_{trip} is inductor current just before the transistor switches off and V_D is about 0.7V.

This method is well known for increasing relay release time. Using a higher voltage as in the second diagram shortens discharge time by raising voltage V_D to $V_D + V_Z$. Voltage of the zener diode is

$$V_Z \approx V_{CE\text{max}} - V_B - V_D$$

and it must be able to withstand the maximum inductor current. Inductive loads, like solenoids and relays, store much energy so a power diode is needed.

Using the third configuration, the power transistor does the work. If voltage across L rises as a consequence of switching off the transistor, the zener diode conducts when

$$V_{CE} = V_Z + V_{BE}$$

and turns on the transistor.

Discharge time in this case is

$$t \approx \frac{L \cdot i}{V_Z - V_B}$$

where V_B is the supply voltage. Coil voltage, V_L is

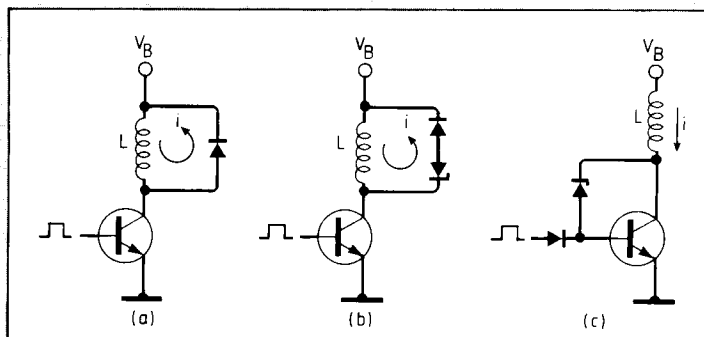
$$V_Z + V_{BE} - V_B \approx V_Z - V_B$$

For example with $V_B = 24V$, $i = 6A$, $L = 10mH$, $V_Z = 200V$ and $V_D = 0.7V$, discharge using the first configuration is

$$t \approx \frac{10^{-2} \text{H} \cdot 6A}{0.7V} = 86 \text{ms}$$

whereas for the third figure,

$$t \approx \frac{10^{-2} \text{H} \cdot 6A}{200V} = 0.3 \text{ms}$$



F. Braunschmid
Vienna
Austria

Electronic irrigation controller

An automatic system for watering a garden or greenhouse can be very useful, especially when you're on a long holiday.

With a properly adjusted controller, water is used economically, which is important in countries where water is scarce.

This system works just as well in a large plantation as it does in a small back garden, provided that a central control for water distribution is used.

Soil conductivity depends on moisture content. As the soil dries, its conductivity decreases and the change can be detected electronically and used to switch a water valve or pump to restore the soil's moisture content.

Conductivity is measured by a probe consisting of two graphite rods which is inserted into the soil. These rods come from a pair of old C-type batteries. They are cleaned and bonded to an insulating block with epoxy resin adhesive after having a pair of wires soldered to their metal caps. These wires protrude about 4-5cm above the insulator and their first 3-4cm is covered with tape or insulating sleeving.

Silicone rubber sealing compound is applied to the metal caps to stop rusting. The probe is then pushed into the soil in the sunniest part of the

garden until the insulating block rests on the surface.

Soil conductivity is measured by passing a.c. through the probe and measuring voltage drop. Using d.c. was found to cause electrolysis resulting in erratic operation.

Alternating drive for the probe is taken from one side of the 9-0-9V transformer and adjusted for sensitivity using a potentiometer. Voltage from the wiper feeds the base of Tr_1 and the probe connects between this point and ground. When the soil dries enough to produce about 0.65V peak across the probe, Tr_1 conducts at the positive peak of the waveform.

Capacitor C_2 gradually discharges towards ground and Darlington pair $Tr_{2,3}$ starts to conduct, switching on the relay which in turn triggers the triac. Now the electric valve or pump starts.

Components R_3 and C_3 provide additional smoothing since the voltage over C_2 contains some 50Hz hum.

As water penetrates the soil, voltage across the probe falls below the threshold of Tr_1 and

C_2 charges through R_{2-4} towards the supply rail. Eventually, the Darlington pair stops conducting and the relay switches off the triac, and hence the water supply.

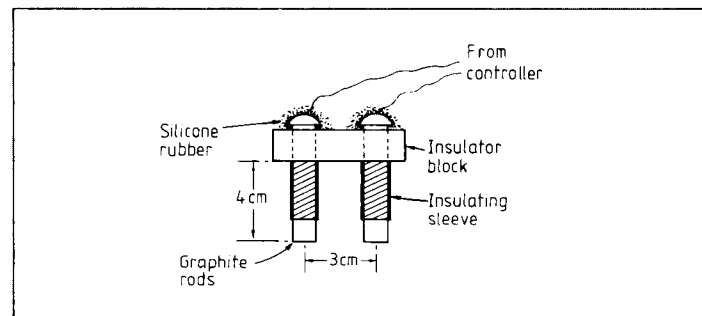
I used Vero board and a metal case for construction. It is only important to note that Tr_3 switches on gradually; no Schmitt trigger is used, due to a.c. operation of the probe. Because of this, Tr_3 needs a heat sink, especially if a low impedance relay is used.

Heat sinking might be needed for the triac, depending on the load. This triac supplies about 4A (400V). Adjustment is simple. After installing the probe, turn on the system. After thoroughly watering the soil, allow it to dry by natural evaporation. When you feel that the soil needs watering again, adjust the potentiometer slowly so that probe current is increased until the system switches on. It should then be allowed to water the soil until it switches off by itself. It takes some time for the probe to settle in the soil, so the potentiometer may need adjusting from time to time.

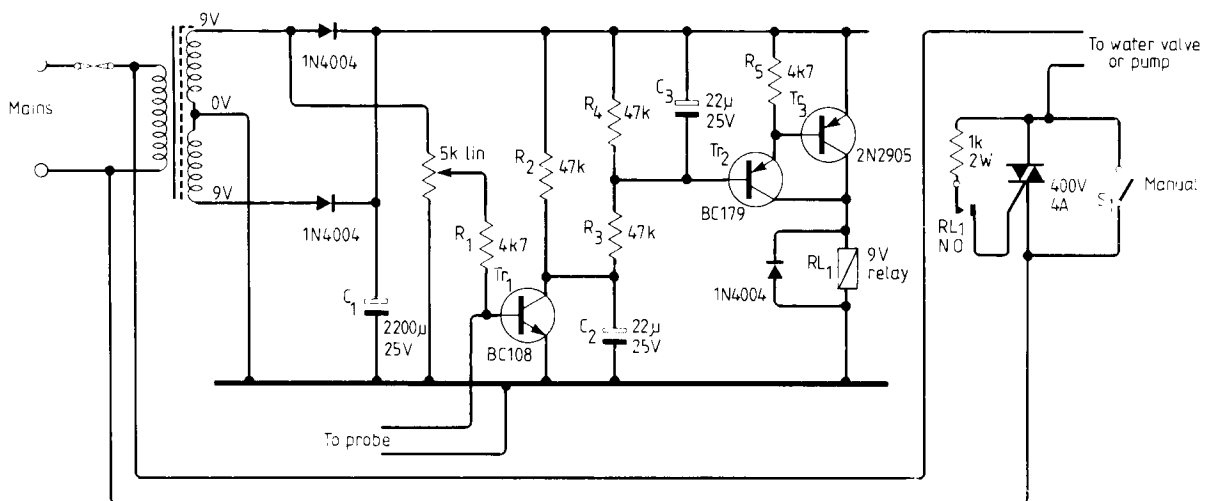
During hot dry weather water is supplied for about 30 minutes every two days. Here in Cyprus, hot and dry means 35°C and at least 30% humidity. The area served is a 250m² flower, shrub and vegetable patch.

Finally, an interesting and rather peculiar advantage comes with this system. During hot weather, the unit only turns on late in the evening well after sunset. It seems that the reason is that the increase of the soil's temperature from solar radiation increases the conductivity of the soil somehow, thus delaying switch-on until the soil cools in the evening.

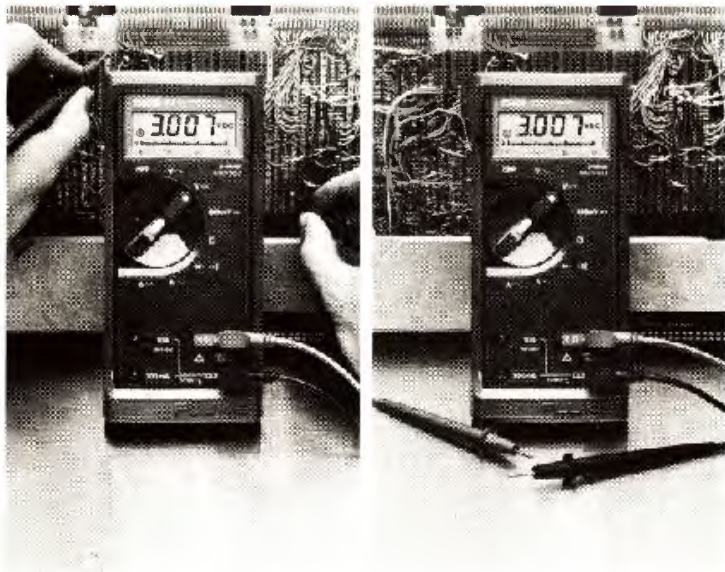
This is beneficial for most plants, as watering them with sprinklers under the hot sunshine can be harmful and wasteful of water. Another possible explanation is that the base-emitter threshold of Tr_1 changes with temperature, reducing in the evening with the cool breeze coming into my home through open windows. Neoklis Kyriazis
Limassol
Cyprus



Last month's shaft-encoder counting idea attributed to M. Winder was actually sent in by Andrew Armstrong of Leighton Buzzard. Mr Winder sent us a letter on the same subject which led to some confusion. Our apologies go to both contributors.



You touch. It holds.



The Fluke 77

Its unique "Touch Hold" function automatically senses and holds readings, leaving you free to concentrate on positioning test leads without having to watch the display.

Then, when you have a valid reading, it signals you with an audible beep.

The Fluke 77 is perfect for those test situations where accessibility is a problem, or when extra care is needed for critical measurements.

It's the top model in the world champion Fluke 70 Series line - the first industrial quality autoranging multimeters to combine digital and analog displays. These tough, American-made meters feature a three-year warranty and 2000+ hour battery life.

For more information please call or write.

Fluke (G.B.) Ltd.
Colonial Way, WATFORD Herts WD2 4TT
United Kingdom
Tel.: (0923) 40511
Telex: 93 4583

CIRCLE 51 FOR FURTHER DETAILS.



A NEW CONCEPT IN TEST EQUIPMENT



- ★ Identifies and tests over 1000 devices from TTL, CMOS, Memory & Interface families
- ★ No programming necessary — in "CHIP SEARCH" mode even the device number can be omitted
- ★ Highly cost-effective design ensures maximum benefits at minimum cost

The A.B.I. Digital IC Tester

FROM
£573

A.B.I. Electronics Ltd., Unit 21 Aldham I.E., Barnsley, S. Yorks, S73 8HA
Telephone: Barnsley (0226) 751639
Telex: 547376 CEAG G (for A.B.I.)

CIRCLE 38 FOR FURTHER DETAILS.

STEREO MICROPHONE AMPLIFIER



- 50 or 200 Ohm balanced microphones to balanced lines
- Variety of low frequency characteristics for improving the clarity of recordings
- Inputs filtered against radio interference
- Complete boxed unit or double mumetal screened amplifier module alone

Surrey Electronics Ltd., The Forge, Lucks Green, Cranleigh, Surrey
GU6 7BG England. Tel: 0483 275997

TIME WRONG?

MSF CLOCK is EXACT

8 DIGIT display of Date, Hours, Minutes and Seconds.
SELF SETTING at switch-on, never gains or loses, automatic GMT/BST and leap year, and leap seconds.
EXPANDABLE to Years, Months, Weekday and Milliseconds and use as a STOPCLOCK to show when something happened.
COMPUTER or **ALARM** output also, parallel BCD (including Weekday) and audio to record and show time on playback.
DECODES Rugby 60KHz atomic time signals, superhet receiver (available separately), built-in antenna, 1000Km range.
LOW COST, fun-to-build kit (ready-made to order) with receiver **ONLY £89.80** includes ALL parts. 5 x 8 x 15 cm case, pcb, by-return postage etc and list of other kits. Get the TIME RIGHT.

CAMBRIDGE KITS

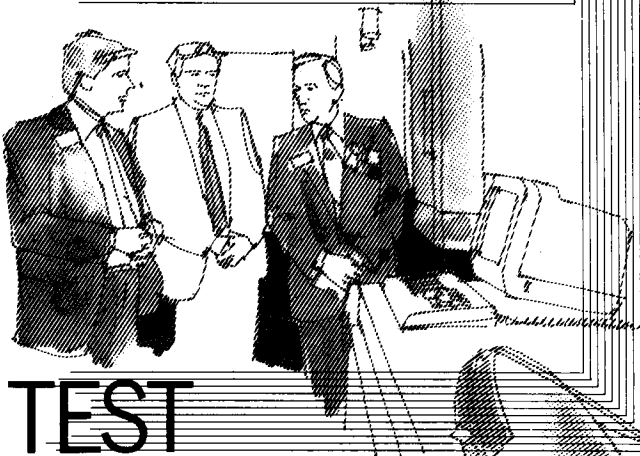
45(WQ) Old School Lane, Milton, Cambridge, Tel 860150

Communications

Join the many thousands of specialists who will converge on the **COMMUNICATIONS 86** exhibition, and you'll find confirmation that the technology itself is converging at an ever-increasing rate. The combination of communications and computers – and their linking to other electronic systems and products – currently provides many opportunities for the supplier of major systems, and also for manufacturers of sub-assemblies, components and peripherals.

COMMUNICATIONS 86 is the essential forum where such manufacturers can meet their customers and each other; where new equipment sourcing patterns can be sought; and where the direction of future R&D can be discerned.

CONVERGE



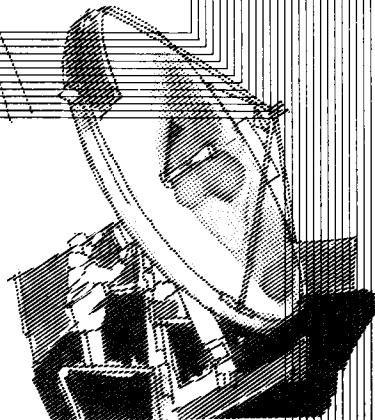
TEST

For specifiers, **COMMUNICATIONS 86** is unrivalled in the UK as an international shop window. Ever since the first event in the series in 1972, there has been a strong presence of electronic systems and components manufacturers.

The show has also preserved its reputation as a major arena for radio communication products and services.

Whatever the nature of your interest – OEM, R&D, or as a user of communications, you'll find a huge range of products to assess.

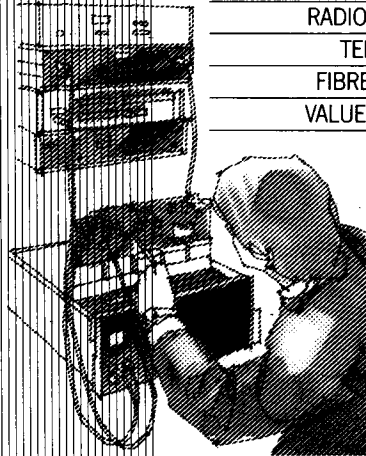
Test their value to your operations.



Hundreds of companies from many countries will be assembled at **COMMUNICATIONS 86**. You can make contacts and question their experts. The exhibition is a total communications event under roof.

Major product areas include:

TELEPHONY
ELECTRONIC TEST EQUIPMENT
BUSINESS COMPUTERS & SYSTEMS
CABLE & SATELLITE LINKS
RADIO COMMUNICATIONS
TELEX & TELETEXT
FIBRE OPTICS & LASERS
VALUE ADDED NETWORKS



The event always sees the launch of many new products, and 1986 promises many innovations for you to analyse.

ANALYSE

You can really get down to detail at **COMMUNICATIONS 86**, with other features that will add to the worth of your visit.



- PRODUCT SELECTION SERVICE
- IMPORTANT ASSOCIATED CONFERENCE
- PRESTIGIOUS SOCIAL EVENTS PROGRAMME

Plan your visit now.

Complete and return the coupon and you will be sent full details, including a free registration ticket, and how to make easy travel and hotel arrangements.

SELECT

COMMUNICATIONS 86 – THE GLOBAL EXCHANGE

Please send me a VISITOR INFORMATION PACK for COMMUNICATIONS 86. (To help us provide you with the most relevant information, please tick box(es) appropriate to your interest).

- OE manufacture R&D
 Specifier/user of Radio Components & power supplies
 Other (please state) _____

EWV

NAME _____ POSITION _____

COMPANY NAME _____

ADDRESS _____

POSTCODE _____

Return coupon to: **Industrial & Trade Fairs Limited, Radcliffe House, Blenheim Court, Solihull, West Midlands B91 2BG, England. Telephone: 021-705 6707 Telex: 337073**



INTERNATIONAL EXHIBITION OF
 TELECOMMUNICATIONS,
 RADIO, CABLE, SATELLITE
 AND INFORMATION TECHNOLOGY

EIGHTH IN THE SERIES

13-16 MAY 1986

NATIONAL EXHIBITION CENTRE,
 BIRMINGHAM, ENGLAND.

CIRCLE 52 FOR FURTHER DETAILS.

PHONE
0474 60521
4 LINES

P. M. COMPONENTS LTD

SELECTION HOUSE, SPRINGHEAD ENTERPRISE PARK
SPRINGHEAD RD, GRAVESEND, KENT DA11 8HD

TELEX
966371
TOS-PM



A SELECTION FROM OUR STOCK OF BRANDED VALVES

A1714 24.50	EFB83 0.95	ELM22 12.95	ME1402 29.50	DS150 45 7.00	UJ8 9.00	3AL5 0.95	6BK4 4.00	6L1 2.50	13D9 3.20	931A 13.95
A8134 7.50	EFB85 0.95	EM1 14.00	ME1501 14.00	QS1200 3.95	UY41 3.50	3AT2 3.35	6BK7A 1.95	6L15 3.15	13D7 2.50	954 1.00
A1998 11.50	EFB89 0.70	EM4 9.00	MH4 3.50	QS1202 4.95	UY85 0.70	3B2 3.00	6BL6 195.00	6L19 2.95	13D7 2.95	955 1.00
A2087 11.50	EFB93 0.95	EM80 0.70	MH6 4.50	QS1203 4.15	V235A/1K	3B4 7.00	6BL8 1.15	6L6GC 2.95	13E1 145.00	958A 1.00
A2134 14.95	EBL1 2.50	EM81 0.70	MH4 4.50	QS1205 3.95		3B7 4.50	6BR6 1.55	6L6GC(IGE)	13E7 3.50	969A 1.00
A2293 6.50	EBL21 2.00	EM84 1.95	MU14 3.50	QS1207 1.05		3B7 4.50	6BM6 155.00	6L6GT 1.50	16G5Y 2.95	1619 2.50
A2428 29.50	EC52 0.75	EM85 3.95	M21 100125.00	QS1208 3.15	V238A/1K	3B7 4.50	6BN4 1.65	6L6GT 4.95	14S7 1.95	1625 3.00
A2599 37.50	EC70 1.75	EM87 2.50	M37 12.50	QS1209 0.90	V240C/1K	3B7 4.50	6BN6 1.65	6LD20 1.15	17B3 2.50	1626 3.00
A2792 27.50	EC80 9.50	EN32 15.00	MZ1 12.50	QS1208 3.15		3B7 4.50	6BN7 1.65	6L6E 3.25	17D7A 2.95	2050W 4.95
A2900 11.50	EC81 7.95	EN91 1.50	N78 9.85	QS1210 1.50	V241C/1K	3C4 1.00	6BR8 3.95	6L8 2.95	17F9 0.95	2050 3.95
A3042 24.00	EC86 1.00	EN92 4.50	N82 9.85	QS1211 1.50		3C23 19.00	6B05 0.75	6L8 2.95	17JZB 4.50	2051 5.50
A3283 24.00	EC88 1.00	EN93 0.80	O2 4.50	OS1212 3.20		3C4 24.00	6B05 0.75	6N7 2.50	18D3 6.00	3534 4.00
AC/HLDD 4.00	EC91 1.50	EV81 1.35	OA2 0.85	OS1213 5.00	V439 3.50	3C6 1.50	6B07A 0.72	6N7GT 2.50	19A4G5 2.50	404A 10.95
AC/TH 4.00	EC91 1.50	EV83 1.50	OA2 0.85	OS1215 2.10	V439 3.50	3C6 1.50	6BL7GTA 3.95	6P15 1.50	19A4GT 2.50	927 15.00
ACT22 59.75	EC92 1.95	EV84 5.95	OB2 0.85	OS1218 1.50	V453 12.00	3C6 1.50	6BR5 0.70	6P25 4.00	19G3 17.00	1927 25.00
AH221 39.00	EC93 1.50	EV86 87 0.50	OC2 2.50	QU37 9.50	V453 12.00	3C6 1.50	6BR7 4.95	6P28 4.00	19H3 33.50	4212 3.50
AH238 39.00	EC95 7.00	EV88 0.55	OC2 2.50	QV03 12 5.75	V453 12.00	3C6 1.50	6BR8 2.15	6P28 2.00	19H3 33.50	4313C 4.00
AL60 6.00	EC97 1.50	EV88 0.55	OC2 2.50	QV05 25 7.50	V453 12.00	3C6 1.50	6BR8A 2.15	6P28 2.00	20A2 10.50	4328D 9.00
AM1 14.00	EC157 4.30	EV88 0.55	OC2 2.50	QV08 100	V453 12.00	3C6 1.50	6B57 5.50	6Q7GT 1.20	20A1 0.70	5636 5.50
AR12 0.70	EC8010 12.00	EV88 0.55	OC2 2.50	QV2 2500	V453 12.00	3C6 1.50	6B64 1.50	6R7G 3.15	20L6 7.95	5642 9.50
ARF34 1.25	EC832 3.50	EV88 0.55	OC2 2.50	QV2 2500	V453 12.00	3C6 1.50	6B64 1.50	6S4A 1.50	20L1 0.95	5651 2.50
ARF35 2.00	EC833 3.50	EV88 0.55	OC2 2.50	QV2 2500	V453 12.00	3C6 1.50	6B64 1.50	6S4A 1.50	20P1 0.95	5654 1.95
AZ11 4.50	EC834 3.50	EV88 0.55	OC2 2.50	QV2 2500	V453 12.00	3C6 1.50	6B64 1.50	6S4A 1.50	20P1 0.95	5663 1.95
AZ31 2.50	EC835 3.50	EV88 0.55	OC2 2.50	QV2 2500	V453 12.00	3C6 1.50	6B64 1.50	6S4A 1.50	20P1 0.95	5670 3.25
Bl.63 2.00	EC836 3.50	EV88 0.55	OC2 2.50	QV2 2500	V453 12.00	3C6 1.50	6B64 1.50	6S4A 1.50	20P1 0.95	5672 4.50
BS450 67.00	EC837 3.50	EV88 0.55	OC2 2.50	QV2 2500	V453 12.00	3C6 1.50	6B64 1.50	6S4A 1.50	20P1 0.95	5678 7.50
BS810 55.00	EC838 3.50	EV88 0.55	OC2 2.50	QV2 2500	V453 12.00	3C6 1.50	6B64 1.50	6S4A 1.50	20P1 0.95	5687 4.50
BS814 55.00	EC839 3.50	EV88 0.55	OC2 2.50	QV2 2500	V453 12.00	3C6 1.50	6B64 1.50	6S4A 1.50	20P1 0.95	5687 4.50
CK 19.00	EC840 3.50	EV88 0.55	OC2 2.50	QV2 2500	V453 12.00	3C6 1.50	6B64 1.50	6S4A 1.50	20P1 0.95	5687 4.50
C3E 22.00	EC841 3.50	EV88 0.55	OC2 2.50	QV2 2500	V453 12.00	3C6 1.50	6B64 1.50	6S4A 1.50	20P1 0.95	5687 4.50
C3JA 9.50	EC842 3.50	EV88 0.55	OC2 2.50	QV2 2500	V453 12.00	3C6 1.50	6B64 1.50	6S4A 1.50	20P1 0.95	5687 4.50
C6A 9.00	EC843 3.50	EV88 0.55	OC2 2.50	QV2 2500	V453 12.00	3C6 1.50	6B64 1.50	6S4A 1.50	20P1 0.95	5687 4.50
C1108 65.00	EC844 3.50	EV88 0.55	OC2 2.50	QV2 2500	V453 12.00	3C6 1.50	6B64 1.50	6S4A 1.50	20P1 0.95	5687 4.50
C1134 32.00	EC845 3.50	EV88 0.55	OC2 2.50	QV2 2500	V453 12.00	3C6 1.50	6B64 1.50	6S4A 1.50	20P1 0.95	5687 4.50
C1148A 115.00	EC846 3.50	EV88 0.55	OC2 2.50	QV2 2500	V453 12.00	3C6 1.50	6B64 1.50	6S4A 1.50	20P1 0.95	5687 4.50
C1149/1195.00	EC847 3.50	EV88 0.55	OC2 2.50	QV2 2500	V453 12.00	3C6 1.50	6B64 1.50	6S4A 1.50	20P1 0.95	5687 4.50
C1150/1135.00	EC848 3.50	EV88 0.55	OC2 2.50	QV2 2500	V453 12.00	3C6 1.50	6B64 1.50	6S4A 1.50	20P1 0.95	5687 4.50
C1534 32.00	EC849 3.50	EV88 0.55	OC2 2.50	QV2 2500	V453 12.00	3C6 1.50	6B64 1.50	6S4A 1.50	20P1 0.95	5687 4.50
C3E 29.50	EC850 3.50	EV88 0.55	OC2 2.50	QV2 2500	V453 12.00	3C6 1.50	6B64 1.50	6S4A 1.50	20P1 0.95	5687 4.50
CCA 2.50	EC851 3.50	EV88 0.55	OC2 2.50	QV2 2500	V453 12.00	3C6 1.50	6B64 1.50	6S4A 1.50	20P1 0.95	5687 4.50
CC3L 0.90	EC852 3.50	EV88 0.55	OC2 2.50	QV2 2500	V453 12.00	3C6 1.50	6B64 1.50	6S4A 1.50	20P1 0.95	5687 4.50
CK1006 3.50	EC853 3.50	EV88 0.55	OC2 2.50	QV2 2500	V453 12.00	3C6 1.50	6B64 1.50	6S4A 1.50	20P1 0.95	5687 4.50
CV Nos Prices on request	EC854 3.50	EV88 0.55	OC2 2.50	QV2 2500	V453 12.00	3C6 1.50	6B64 1.50	6S4A 1.50	20P1 0.95	5687 4.50
D3A 27.50	EC855 3.50	EV88 0.55	OC2 2.50	QV2 2500	V453 12.00	3C6 1.50	6B64 1.50	6S4A 1.50	20P1 0.95	5687 4.50
D63 1.20	EC856 3.50	EV88 0.55	OC2 2.50	QV2 2500	V453 12.00	3C6 1.50	6B64 1.50	6S4A 1.50	20P1 0.95	5687 4.50
DA41 22.00	EC857 3.50	EV88 0.55	OC2 2.50	QV2 2500	V453 12.00	3C6 1.50	6B64 1.50	6S4A 1.50	20P1 0.95	5687 4.50
DA42 17.50	EC858 3.50	EV88 0.55	OC2 2.50	QV2 2500	V453 12.00	3C6 1.50	6B64 1.50	6S4A 1.50	20P1 0.95	5687 4.50
DA90 4.50	EC859 3.50	EV88 0.55	OC2 2.50	QV2 2500	V453 12.00	3C6 1.50	6B64 1.50	6S4A 1.50	20P1 0.95	5687 4.50
DA100 125.00	EC860 3.50	EV88 0.55	OC2 2.50	QV2 2500	V453 12.00	3C6 1.50	6B64 1.50	6S4A 1.50	20P1 0.95	5687 4.50
DAF91 0.70	EC861 3.50	EV88 0.55	OC2 2.50	QV2 2500	V453 12.00	3C6 1.50	6B64 1.50	6S4A 1.50	20P1 0.95	5687 4.50
DAF96 0.65	EC862 3.50	EV88 0.55	OC2 2.50	QV2 2500	V453 12.00	3C6 1.50	6B64 1.50	6S4A 1.50	20P1 0.95	5687 4.50
DC70 1.75	EC863 3.50	EV88 0.55	OC2 2.50	QV2 2500	V453 12.00	3C6 1.50	6B64 1.50	6S4A 1.50	20P1 0.95	5687 4.50
DCX 1.20	EC864 3.50	EV88 0.55	OC2 2.50	QV2 2500	V453 12.00	3C6 1.50	6B64 1.50	6S4A 1.50	20P1 0.95	5687 4.50
DCX 4 5000	EC865 3.50	EV88 0.55	OC2 2.50	QV2 2500	V453 12.00	3C6 1.50	6B64 1.50	6S4A 1.50	20P1 0.95	5687 4.50
DET 25.00	EC866 3.50	EV88 0.55	OC2 2.50	QV2 2500	V453 12.00	3C6 1.50	6B64 1.50	6S4A 1.50	20P1 0.95	5687 4.50
DET16 28.50	EC867 3.50	EV88 0.55	OC2 2.50	QV2 2500	V453 12.00	3C6 1.50	6B64 1.50	6S4A 1.50	20P1 0.95	5687 4.50
DET18 28.50	EC868 3.50	EV88 0.55	OC2 2.50	QV2 2500	V453 12.00	3C6 1.50	6B64 1.50	6S4A 1.50	20P1 0.95	5687 4.50
DET23 35.00	EC869 3.50	EV88 0.55	OC2 2.50	QV2 2500	V453 12.00	3C6 1.50	6B64 1.50	6S4A 1.50	20P1 0.95	5687 4.50
DET24 39.00	EC870 3.50	EV88 0.55	OC2 2.50	QV2 2500	V453 12.00	3C6 1.50	6B64 1.50	6S4A 1.50	20P1 0.95	5687 4.50
DET25 22.00	EC871 3.50	EV88 0.55	OC2 2.50	QV2 2500	V453 12.00	3C6 1.50	6B64 1.50	6S4A 1.50	20P1 0.95	5687 4.50
DET29 32.00	EC872 3.50	EV88 0.55	OC2 2.50	QV2 2500	V453 12.00	3C6 1.50	6B64 1.50	6S4A 1.50	20P1 0.95	5687 4.50
DF91 0.70	EC873 3.50	EV88 0.55	OC2 2.50	QV2 2500	V453 12.00	3C6 1.50	6B64 1.50	6S4A 1.50	20P1 0.95	5687 4.50
DF92 0.65	EC874 3.50	EV88 0.55	OC2 2.50	QV2 2500	V453 12.00	3C6 1.50	6B64 1.50	6S4A 1.50	20P1 0.95	5687 4.50
DF93 0.65	EC875 3.50	EV88 0.55	OC2 2.50	QV2 2500	V453 12.00	3C6 1.50	6B64 1.50	6S4A 1.50	20P1 0.95	5687 4.50
DF96 1.00	EC876 3.50	EV88 0.55	OC2 2.50	QV2 2500	V453 12.00	3C6 1.50	6B64 1.50	6S4A 1.50	20P1 0.95	5687 4.50
DF97 1.20	EC877 3.50	EV88 0.55	OC2 2.50	QV2 2500	V453 12.00	3C6 1.50	6B64 1.50	6S4A 1.50	20P1 0.95	5687 4.50
DH77 0.90	EC878 3.50	EV88 0.55	OC2 2.50	QV2 2500	V453 12.00	3C6 1.50	6B64 1.50	6S4A 1.50	20P1 0.95	5687 4.50
DH79 0.65	EC879 3.50	EV88 0.55	OC2 2.50	QV2 2500	V453 12.00	3C6 1.50	6B64 1.50	6S4A 1.50	20P1 0.95	5687 4.50
DH149 2.00	EC880 3.50	EV88 0.55	OC2 2.50	QV2 2500	V453 12.00	3C6 1.50	6B64 1.50	6S4A 1.50	20P1 0.95	5687 4.50
DK91 0.90	EC881 3.50	EV88 0.55	OC2 2.50	QV2 2500	V453 12.00	3C6 1.50	6B64 1.50	6S4A 1.50	20P1 0.95	5687 4.50
DK92 1.20	EC882 3.50	EV88 0.55	OC2 2.50	QV2 2500	V453 12.00	3C6 1.50	6B64 1.50	6S4A 1.50	20P1 0.95	5687 4.50
DL35 2.50	EC883 3.50	EV88 0.55	OC2 2.50	QV2 2500	V453 12.00	3C6 1.50	6B64 1.50	6S4A 1.50	20P1 0.95	5687 4.50
DL63 1.00	EC884 3.50	EV88 0.55	OC2 2.50	QV2 25						

Synchrodyne a.m. receiver

3-Circuit details of the demodulator and r.f. stages

The receiver section of Fig. 1 (last month) consists of a separate phase sensitive detector, which would well be of an identical type to that used in the p.l.l., followed by a steep-cut low-pass filter, to give the required adjacent channel selectivity, and some kind of muting circuit, in operation when the incoming signal is not in synchronism, to remove the off-tune whistle which is characteristic of the synchrodyne system.

The adjustable steep-cut low-pass filter is built from a cascaded pair of 'bootstrap' filter circuits, in the form shown in Fig. 9, having a Q chosen to give a slope, for each section, of about 20dB/octave. With the component values shown in Fig. 9, the turn-over frequency is 9kHz, though this could be modified, as desired by the user, by proportional adjustments to the filter component values.

A potential problem in any synchrodyne system is that of unwanted demodulation of r.f. signals presented to the phase detector. Since most i.c. op-amps have a poor performance in this respect, it is highly

desirable that any r.f. signals present at the output of the p.s.d. (MC1496) should be removed before the a.f. signal is presented to the a.f. filter i.c.s. This is done most simply by putting the two third-order RC component elements in front of the filter stages.

Since resistors are cheaper, smaller, and available in a wider range of values, the design of the filter circuit has been chosen so that the required choice of filter cut-off requirements can be obtained by switching resistor values. The complete circuit of the demodulator and frequency switched filter/amplifier is shown in Fig. 10. The response of the filter stages is flat within ± 1 dB at frequencies below the cut-off point, and is shown, for an F_c value of 9kHz, in Fig. 11.

Problems with direct conversion systems

Although some of the difficulties inherent in this type of receiver, such a microphony in the local oscillator, due to the bulk of the required signal gain being obtained at a.f., and

aerial-sourced mains hum, due to the same cause, can be reduced or eliminated by pre-demodulator r.f. amplification — as can the intrusion of spurious signals due to oscillator harmonics or demodulator non-linearities — the use of signal amplification prior to the demodulator worsens the problem of demodulator input cross-modulation.

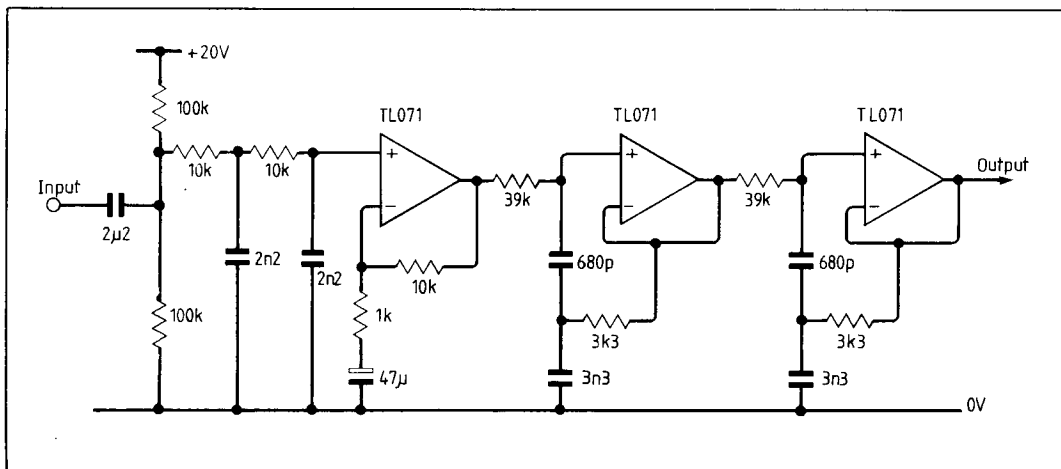
This difficulty seems to be an endemic fault in such systems, and the LM/MC1496, though a very good device in many respects, is not above criticism in respect of cross modulation. This manifests itself as a spurious interfering signal, present at a low level, and at normal tonal pitch, when a powerful, but unsynchronized, adjacent signal is present at the demodulator input, along with another signal which is, correctly, being synchronously demodulated.

It was the apparently intractable nature of this problem which led to this project being abandoned, after a lot of useful preliminary work, some years ago, only to be taken up when the possibility of new insights into the problem appeared.

The solutions necessary depend on the demodulator type employed. In the case of the LM/MC1496, the essential requirement is to ensure that all signal levels at the demodulator input, (pins 1 or 4), are kept below some 30mV. It is also desirable that the peak-to-peak level of local oscillator drive shall be below some 450mV.

Better performance in this respect is also given if both the signal input and the local oscillator drive are applied as single-ended rather than as push-pull inputs. Finally, the modulator should be adjusted for d.c.

Fig. 9. Basic sixth order low-pass filter. Performance is shown in Fig. 11 opposite.



does not make the receiver orientation-sensitive in relation to the compass direction of the transmitter. Also, it is convenient, in high quality audio gear, to use screened metal housings, and these also do not marry very well to ferrite rod aerials.

On the other hand long pieces of aerial wire are unsightly and inconvenient. The design of the r.f. stages were therefore aimed at a sensitivity for the commencement of a.g.c. operation, of 50-100 μ V. This gives more than adequate signal strength, at distances of up to 100 miles from normal m.f./l.f. transmitters, with a four or five foot length of wire attached to the aerial input socket.

The circuit employed, shown in Fig. 13, is very simple and straightforward, employing two stages of r.f. gain, using r.f. dual-gate mosfets, with an a.g.c. voltage applied to Gate 2. Maximum signal gain is given with a G2 voltage of about +4V, and the gain decreases as G2 voltage is reduced.

I would have preferred to have used a layout employing two tuned r.f. stages, in the interests of better interference rejection from signals which are far enough away in frequency to be cut out by the post demodulator filtering, but nevertheless strong enough to cause some cross modulation of the demodulator i.c.

However, this would have required the use of a three-gang tuning capacitor, and, nowadays, in the UK, these are very rare indeed, so, even if I were able to track one down in some forgotten hiding place, other would-be constructors might not have my good fortune.

On the other hand, two-gang tuning condensers, though not plentiful, are still available.

Consequently, and with some regrets, I decided to make both the input and output couplings aperiodic, using small ferrite cored 1:1 transformers. Interestingly the small pulse transformers from RS Components work quite well in this application, and have an adequately flat pass-band from 100kHz to rather more than 10MHz, and I used these in the prototype to save the labour of winding some specially. The oscillator and r.f. coils were wound on standard 7mm coil formers, internally threaded to take 6mm dust-iron or ferrite

threaded cones.

The oscillator coils for m.f. and l.f. are 55 and 400 turns of 34 s.w.g. cotton/enamel covered wire, scramble wound between rubber grommets on the coil former to hold the windings in a reasonably tidy lump. The r.f. coils are 100 and 700 turns, with coupling windings of 20 and 80 turns respectively. Undoubtedly, if one was persistent, one could find coils of commercial origin for this purpose.

The screw cores and the trimmer capacitors are used to set the sensitivity to maximum, using signals which are, respectively, somewhere near the bottom and top of the tuning band. Because the ratios of maximum and minimum frequencies are the same for both oscillator and r.f. tuning, very good tracking is possible.

I have not shown the switching connections for the coils in Figs 7 or 13 in order to simplify the drawings, since I assume that the necessary connections will be self-evident. It will also be understood that reasonable care must be taken in the layout of the r.f. stages, and in the r.f. input connections to the two demodulator i.c.s, in order to avoid possible r.f. instability.

The layout adopted, with the demodulator, p.l.l., and filter amplifier mounted on one p.c.b., and the r.f., a.g.c., and muting circuitry mounted on another, with the two p.c.b.s supported and separated by a vertical metal screening plate, can be seen in the photograph below. The simple 20V d.c. power supply unit is shown in Fig. 14.

The a.g.c. action, applied over the two r.f. stages, is effective over an input signal range of about 46dB (200:1), and this copes adequately with the range of broadcast signals

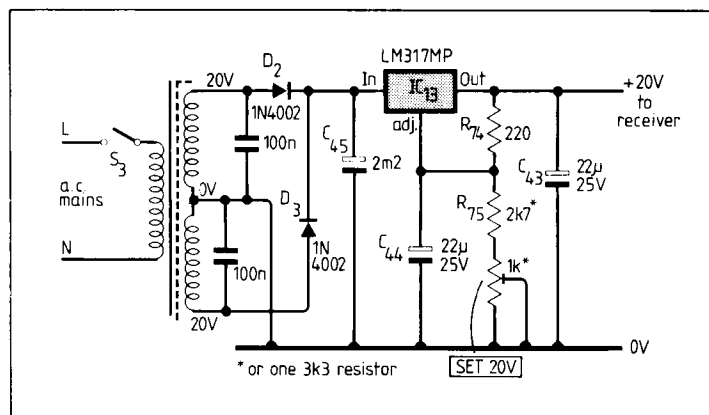
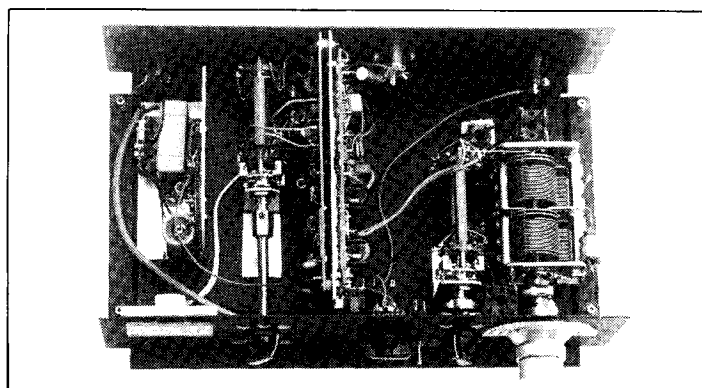


Fig. 14. Power supply for the receiver.

received in my own locality. However, since it is inconvenient to have to modify the aerial wire layout if the signal picked up from a powerful local station is found to overload the receiver, I have included a 10k pot, connected across the aerial input, to give a measure of input signal adjustment. For those remote from powerful local transmitters this may be unnecessary.

The sound quality, in the absence of distortion due to selective fading under night-time listening conditions, has proved to be very good, and better than that given by a good quality, valve operated superhet of mid-1950s vintage, in terms of the silence of the background, freedom from unwanted and unavoidable whistles, and in respect of the cleanness and openness of the sound. In a direct comparison with a BBC f.m. broadcast, usually, but not invariably, the f.m. signal had a better h.f. response — presumably a function of the transmitted signal.

In normal day-time use, some eight or ten BBC transmitters are receivable on a five or six foot aerial wire. At night, some fifty or sixty stations, of continental origins, also exceed the signal level needed to overcome the muting threshold.



A kit of parts for this project is in preparation. Details from Hart Electronics, Penylan Mill, Oswestry, Shropshire SY10 9AF.

A QUESTION ABOUT Q

Although not answering Lady Jeffreys' question (Feedback, December 1985) on who first used the letter "Q" to denote the ratio of the reactance to the resistance of a tuned circuit, it may be of interest that Nikola Tesla called this quantity "magnifying factor" as early as 1899 in his calculations on the coils that now bear his name (Colarado Springs Notes 1899-1900, published by the Tesla Museum, Belgrade), though he did not denote it by a symbol.

As I reported in a letter in the *Quarterly Journal of the Royal Astronomical Society* (1985) 26, 529, an early reference to Q occurs in "Principles of Radio" by Henney (published by Wiley in 1929). Henney says in the Preface that "considerable material has been taken from *Radio Broadcast*" and it could be that an earlier mention of Q might be found in that journal (which was published over the years 1922 to 1930 in Garden City, New York). Unfortunately, it does not appear to be held in any of the main libraries of the UK, but perhaps a reader in the USA might be able to refer to it.

However, it may be that Tesla himself used the letter Q for his magnifying factor, but unless more of his private papers become available it is impossible to say since his publications (mainly patents) are non-mathematical.

D. McMullan
Cavendish Laboratory
Cambridge

HDTV

On the subject of standards with respect to h.d.tv as discussed in your February 1986 issue it is nice to think that the television industry is choosing a standard from the film industry, the aspect ratio of the new system, IBA's 5:3 (1.66:1). Does this mean another showing of all the old films, this time around the viewer seeing what was cut off before?

Roger Sharland
Sharland Electronics
New Southgate
London N11

NEW LOGIC SYMBOLS

In answer to Mr Eyckmans' letter in the January issue, there is nothing mystical about Grindrod's circuit on page 59 of the October 1983, but it is rather clever. Just looking at the circuit and its text, that is without reference to any other information, you should be able to see that it relies on the fact that roms are

normally never written to by the processor. The interesting aspect of the circuit is that it uses this redundant write function to select roms.

An address for the required rom is placed on the lower three bits of the data bus and written to the circuit. All that the rest of the logic does is to latch and decode the address. Had we expanded the description and added explanations of the 'telephone numbers' and boxes — which are already published in data books — there wouldn't have been room for the cheap voltager doubler on the same page.

Continental students are surely as clever as ours, but I think that it would be more fruitful for you to explain this circuit to them and offer a prize for an equally useful one. We would all be interested in that. Incidentally the circuit was drawn as it was, with consecutive pin numbers on the 'boxes', to simplify one-off p.c.b. design and later testing.

Martin Eccles
Technical Editor

COMPUTER CONTROLLED RADIO RX

I was interested to read the above article by D.W. Harris, as it could almost have flowed from my own pen — viz. I am a BBC micro owner, have had an ICF2001 for some years and also studied electronic engineering at Southampton University, leaving 2 years before Mr Harris.

I have been considering possible applications for the Sony for some time, and Mr Harris's article was food for thought.

On the subject of interference from the BBC micro, I have been using the Sony as an input of FAX and RTTY to the BBC for some considerable time. I suffered from fairly bad e.m.c. problems until hitting on the idea of low-capacitance audio isolation. This is achieved by the use of a telephone pickup coil taped to the centre of the loudspeaker grill. This produces

FUNDAMENTALS OF ENERGY TRANSFER

I write concerning the discussion between Chris Parton, Ivor Catt and Phillip Drake (*WW* Dec., 1984, p.65, *E&WW* Feb., 1985, p.77 and *E&WW* Dec., 1985, p.19 respectively) under the above heading, particularly their remarks relating to the definition of the ampère. Some of the confusion has arisen because they have incorrectly generated the phrase 'NPL definition of the ampère'.

The ampere is the *Système Internationale* (SI) unit of electric current. The present definition of the ampère was adopted by the 9th *Conférences Générales des Poids et Mesures* (CGPM) 1948. This implemented the recommendation made two years earlier by the *Comité Consultatif des Unités* (CIPM: Resolution 2, Proc. Verb. 20, 131, 1946) which comes under the authority of the CGPM. The CGPM consists of delegates from all the Member States of the *Metre*

Convention and at present meets every four years. Their definition should not be referred to as the 'NPL definition of the ampère'.

It may interest readers that the NPL issues a 'Units of Measurement' Poster which is available (free) on request to: Information Services, National Physical Laboratory, Teddington, Middlesex TW11 0LW. The poster includes the agreed English translations of the definitions of the SI units which have been promulgated by the CGPM, references to further publications concerning the SI units, and the organisations which are responsible for them.

B.W. Petley
Division of Quantum
Metrology
NPL, Teddington

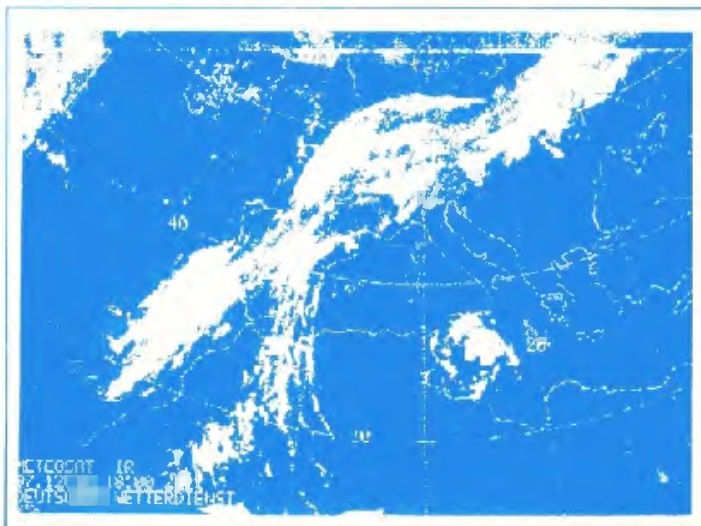
RAKES' PROGRESS

I feel that Mr Catt (January 1986) has missed the purpose of mathematics in science. Mathematics provides a formal description of a theoretical model for empirically discovered results. Such a description is necessary for predicting other results from those already discovered.

Since the mathematical description is of a model, it cannot be expected to fit the world, warts and all. The model will deal with an idealisation; in particular, since the model is not a description of all and everything, it will entail concentrating on some effects and ignoring others. Hence the problems with defining (e.g.) ampères experimentally. Further, formulisations based on "real" numbers entail using limits which are impossible experimentally. Overcoming these problems means inventing a better model, one which includes more forces, or can be described by quantised mathematics.

The universe is quite complex, and it is often useful to deal in idealisations which ignore "irrelevant" forces. Presumably, the next round of "complete" or unified theories will bring together astrophysics, electromagnetism and subatomic physics; however, I suspect that predicting simple effects from such a theory will be very complicated.

It is for precisely the above reasons that it is wrong to attack the use of mathematics in computing science. Here, one is dealing with a situation which is wholly understood, since it has been created synthetically. One can produce complete mathematical descriptions of (e.g.) the languages in use. It is the very artificiality of the computing science world that allows this accurate formalisation, in contrast to the situation generally in physics.



Whilst I agree that there is a temptation to set examples on the mathematical description of a theory (simply because such questions are easily set) this does not detract from the importance or usefulness of mathematics in describing theoretical models.

Professor Leslie Smith
University of Stirling

BLACK BOXES

I was interested to read, though not without some disappointment, of the decline in the number of youngsters becoming interested in the hobby of amateur radio, (*WW* January 1986, p.64). Could this have anything to do with the black box syndrome that has increasingly typified the hobby in the last 20 years, I wonder? The first and most obvious reason is the cash requirements of getting set up for instant QSO on whatever bands are being considered: the other being the inscrutability of the guts of the equipment. Phase-lock-loop detectors, r.i.t. circuitry, microprocessor-controlled scanning, to mention but three functions commonly found on a modern rig involve a level of complexity which must baffle and isolate the newcomer. The pleasure I have had from running 30 watts c.w. through a frame output tv valve driven into the blue, all homebrew, far exceeds that to be had from black box technology and it is this element of the magic of radio that I think is missing. The boots and braces radio ham is a dying breed and therefore, some would argue, amateur radio is following along the same track.

Dr M. Buck
British Telecom
Cardiff

RENTING THE SPECTRUM

In criticising my IEE lecture, your correspondent ('Communications Commentary', Dec. 1985) missed or misunderstood two important issues.

First, the sole purpose of the Window Tax in the 17th century was to raise revenue. Its bad effect was to induce people to brick up their windows to reduce their tax, thus *reducing* the total number of windows in the country. Nobody was better off, except the Treasury. But if some spectrum users reduced their bandwidths, shared with others or moved to less crowded bands so as to save rent, that would *not* reduce the total size of the spectrum. The bands they no longer occupied could then be taken up by all sorts of would-be users who are at present unable to get licences. Your correspondent reported the ways in

which, as I explained, present users could release substantial bands of useful spectrum if they had any financial inducement to do so — but he omitted to mention the benefits which their actions would bring to those frustrated would-be users.

The second point is more general. It is not enough to reject a proposed solution to a real problem, without saying what you would do instead. By rejecting, out of hand, any use of the price mechanism to apportion the spectrum, your correspondent is tacitly supporting a continuation of the present method, which the Merriman Report described as 'a somewhat arcane business'. 'Arcane' means 'secret' and your correspondent has allied himself with the large established users — the spectrum 'haves' who staked their claims under that system before there was a shortage. But some of your readers may be among the small latecomers — the spectrum 'have-nots' who are still waiting patiently for the benefits of current radio-technology. The Merriman Report forecast that their number will increase over the next 5 to 10 years, even after the substantial re-allocations in Bands I and III. Some of them might prefer to pay something instead of waiting for an indefinitely long period. If so they can now read my lecture in the January issue of the IEE Journal, Part A.

David Rudd
Department of Transport
London SW1

ENERGY TRANSFER

Recently, since Ivor Catt first elaborated his iconoclastic views, several Wireless World readers have surfaced with their own problems relating to electric current theory. To these I would like to add my own.

At school, I was taught that the resistance of a conducting wire was inversely proportional to the cross-sectional area of the wire.

$R \propto 1/A \propto 1/r^2$ (where r = radius of the wire) This seemed reasonable since, just as with water running down a pipe, the thicker the wire/pipe, the more space there would be for the charge/water to pass through.

Later, I learned that electric charge only flowed along the surface of a conducting wire, (down to a certain small "skin depth"). This seemed to square with the idea that the residual charge on a conductor is to be found on the surface. However, this would lead one to imply that the resistance would be inversely proportional to the cross-sectional perimeter of the wire.

$R \propto 1/r$

Furthermore, does a hollow conducting wire (with wall thickness greater than skin depth) have the same resistance as a solid conducting wire of the same radius?

Ivan L. E. Fant
Stoke Newington
London N6

TELEPHONE RECORDING

This circuit (circuit ideas, November 1985), contributed by Mr H. T. Wynne, has several serious failings, which make it unsuitable for connection to the British Telecom network.

The mains voltage of the cassette recorder power supply is not adequately isolated from the telephone line. A 600 Ω isolating transformer of 1:1 ratio should be connected to the terminations A and B via a suitable fuse — 250 mA quickblow is suitable.

It should be remembered that the ringing voltage on the line is far higher than the 37 V mentioned, and can give a serious shock. Even through a step-down transformer, it is risky connecting this to a tape-recorder microphone input, especially without a fuse.

Telephones incorporate a Varistor to ensure that, irrespective of local loop length, the volume at the telephone handset remains at a suitable level. Without this regulator, this circuit may deliver too much, or too little, power to the input of the recorder for satisfactory recording.

Connecting this circuit to the telephone line may make it impossible to dial out on any telephone connected to that line. The dial contacts (or transistor switch if a pushbutton telephone is used) will be shorted out by this circuit, and the central office may be unable to distinguish between 'connected' and 'disconnected' states of a loop-disconnect line.

This circuit has *not* received BABT approval, and it is therefore *illegal* to connect it to the telephone line. BABT will not grant approval to DIY constructed apparatus as standards cannot be guaranteed. This circuit should be marked in accordance with the marking Order — it would be a service to your readers to indicate that if they build and connect this circuit they will be breaking the law. Of course, Mr Wynne has almost admitted openly to doing so, and runs the risk of prosecution.

The building of telephone attachments cannot be advised unless the constructor knows exactly what he is doing, unlike domestic wiring of telephone sockets, which is not technically difficult, and, if a complete kit is

used, unlikely to have any adverse effect on the safety and integrity of the network.

O. F. Carter
Aberystwyth
Dyfed

STEREO HISS

Mr Peter Hirschmann in his letter (*EW*, January 1986, p.40) advocated abandoning the system presently used for radio broadcasting on v.h.f.-f.m. in favour of a new system which would give a better signal to noise performance in stereo. He suggested that such an improvement would not have to be made compatible with the present system.

When broadcasters contemplate changing an existing system, whether it is to add additional service or to improve some aspect of the present system, one of the primary considerations has to be that of compatibility. No change can be made until it has been conclusively shown that the services presently enjoyed by listeners or viewers will not be noticeably degraded. Changes that are not compatible with existing systems inevitably have to be added as additional or duplicate services and the changeover can then take literally years. For example, the complete conversion from 405-line to 625-line television in the UK took more than 15 years.

The present system used for stereo broadcasting on v.h.f.-f.m. was adopted largely because it was compatible with the existing monophonic receivers. Today over half of all listening to BBC v.h.f.-f.m. broadcasts is still done on portable mono receivers. Therefore, compatibility with these mono receivers would still be a prime requirement of any new system.

I am sure that today, starting from scratch, a new stereo broadcasting system (possibly using digital techniques) could be devised that would give a better performance than the present system. For example, a possible digital stereophonic system for use with television was described in the July 1984 edition of *Electronics & Wireless World*. However, in view of the large investment that has been made by members of the public in the purchase of both stereo and mono receivers for the present v.h.f.-f.m. system, I feel that overall compatibility would have to remain one of the main requirements of any new system.

Henry Price
Assistant Head
Engineering Information
Department
BBC

by William E. Barr

Digital input circuitry using voltage comparators

Versatile alternative to the Schmitt trigger, with input protection

The usual method of converting analogue signals into digital form is to feed the analogue signals into a Schmitt-trigger circuit. Although t.t.l. types of trigger are readily available, their voltage thresholds are normally set at fixed levels (about +0.8 volt and 1.6 volts) and these are restricted in use to operate from a single 5 volt supply. C-mos trigger circuits have more tolerance of supply voltage but

also suffer from fairly defined threshold potentials.

Voltage comparators are easily designed to operate as Schmitt triggers. However, the type of comparator chosen should have an output terminal which can switch to the extremes of the supply. In spite of their limited switching speed (compared with t.t.l. devices) comparators offer several advantages. It is easy to design both inverting and non-inverting trigger circuits around them using a minimum of external components. They may operate off single or dual power supplies and the voltage switching thresholds may be set as desired over the full range of supply voltage. Finally, because their inputs have high impedance (typically megohm) it is easy to incorporate input over-voltage protection circuitry using clamping diodes.

This article describes the design of inverting and non-inverting Schmitt trigger circuits. In addition, some ways of providing adequate input over-voltage protection are discussed. Methods of reducing hysteresis variation due to sourced impedances of connected devices are looked at.

Finally a short computer program is given which allows the user to input the values of external components in the design of an inverting trigger circuit. The program displays the design parameters and also provides the ratios of two pairs of alternative resistances needed to produce a non-inverting trigger circuit having the same switching characteristics.

Basic inverting trigger

In the circuit of Fig.1 input analogue signals are applied to the inverting input of the comparator. Both the upper and lower threshold switching potentials are set by the resistors R_a , R_b and R_c . For input analogue signals with frequency less than 1 MHz, comparators such as the inexpensive LM339 (quad) or LM393 (dual) are ideal. The resistor R_c must be made very much larger in value than the output pull-up resistor R_5 so that the output terminal of the comparator can go to both of its bistable states of ground and V_{cc} . The potential of the non-inverting input, A, switches between two thresholds set by R_a , R_b and R_c . To understand how these are set, suppose a large voltage is applied at input B. This causes the output to go low, ideally to ground potential. Figure 2(a) shows how A's potential is fixed. Here V_a is given by

$$V_a = \frac{(R_b/R_c) \cdot V_{cc}}{R_a + (R_b/R_c)} = \frac{R_p}{R_c} V_{cc}$$

where $R_p = R_a/R_b/R_c$.

For the output to switch to V_{cc} the potential of B must fall below this value of V_a , so that the low threshold at B is

$$V_1 = \frac{R_p}{R_a} V_{cc} \quad (1)$$

When V_b falls below this value the potential of A rises to a new value which can be found from Fig.2(b). This new value of V_a is

$$\frac{R_b V_{cc}}{R_a/R_c + R_b} = (1 - \frac{R_p}{R_b}) V_{cc}$$

Fig. 1. Basic circuit of inverting trigger.

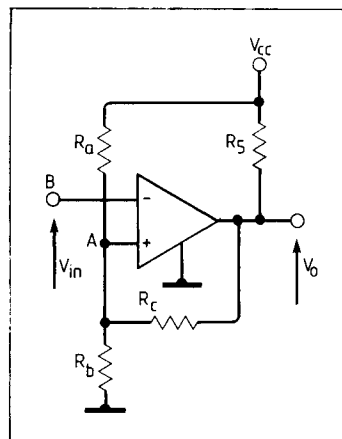
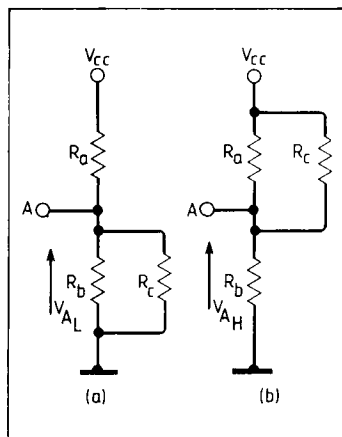


Fig. 2. Equivalent input circuit for low (a) and high (b) output states.



This means that the output will not go low again until V_b rises above this new level at A.

$$\text{i.e. } V_h = (1 - \frac{R_p}{R_b}) V_{cc} \quad (2)$$

The hysteresis of the circuit is the difference between the two thresholds, say ΔV i.e.

$$\Delta V = V_h - V_1$$

or

$$\Delta V = (1 - \frac{R_p}{R_b} - \frac{R_p}{R_a}) V_{cc}$$

from which

$$\Delta V = \frac{R_p V_{cc}}{R_c} \quad (3)$$

However, in practice suitable values of R_a , R_b and R_c must be based on the known value of V_{cc} to give the desired values of V_h and V_1 . The first step then is to choose V_h and V_1 arbitrarily. When this is done the three feedback resistor values may be calculated as follows. Combining equations (1) and (3)

$$\frac{\Delta V}{V_1} = \frac{R_p R_a}{R_c R_p} = \frac{R_a}{R_c} = n \quad (4)$$

while from equation (2) we have

$$V_{cc} - V_h = \frac{R_p}{R_b} V_{cc}$$

and combining this with equation (1) we find that

$$\frac{V_1}{V_{cc} - V_h} = \frac{R_b}{R_a} \quad (5)$$

Also, from equations (1) and (2) we obtain

$$\frac{V_h}{V_1} = \frac{R_b \cdot (R_a + R_c)}{R_b \cdot R_c} = 1 + n$$

If a value of R_a is chosen, then the values of R_b and R_c can be obtained, since they are now defined in terms of R_a i.e.

$$R_c = \frac{R_a}{n}$$

and

$$R_b = \frac{V_1}{V_{cc} - V_h} R_a$$

However, it is also convenient to express R_a and R_b in terms of R_c and this can be done as follows.

$$\frac{R_b}{R_c} = \frac{R_b}{R_a} \times \frac{R_a}{R_c} = \frac{V_1}{V_{cc} - V_h} \times \frac{\Delta V}{V_1}$$

i.e.

$$\frac{R_b}{R_c} = \frac{\Delta V}{V_{cc} - V_h}$$

This means that a suitable value of R_c may be first selected, from which the value of R_a and R_b are obtained using the relationships

$$R_a = n R_c$$

and

$$R_b = \frac{\Delta V}{V_{cc} - V_h} R_c$$

Basic non-inverting trigger

Figure 3 illustrates a non-inverting trigger circuit. Here the feedback resistors R_e and R_f (along with the supply voltage V_{cc}) set the value of hysteresis of the circuit. However, V_h and V_1 lie above and below some reference voltage, V_{ref} , applied to the inverting input of the comparator. Resistors R_6 and R_7 are used to fix V_{ref} . As in the previous trigger circuit, R_5 should be made very small in comparison with R_f .

In this circuit the input signals are applied to the non-inverting input via R_a . To understand how R_e and R_f set the switching threshold voltages, suppose the input potential is below V_1 . Consequently the output is grounded. Figure 4(a) indicates the relevant potentials.

For the circuit to switch, V_{in} must rise to a value that makes V_a go above V_{ref} . This occurs when

$$V_{in} = V_{ref} (1 + \frac{R_e}{R_f}) \quad (7)$$

i.e.

$$V_h = V_{ref} (1 + m)$$

where

$$m = \frac{R_e}{R_f}$$

The potential of A immediately rises to a value greater than V_{ref} after switching because the terminal of R_c , connected to the output, rises to V_{cc} . This is shown in Fig.4 (b), where

$$V_a = V_h + \frac{R_e}{R_e + R_f} (V_{cc} - V_h)$$

i.e.

$$V_a = \frac{R_p}{R_e} V_h + \frac{R_p}{R_f} V_{cc}$$

where $R_p = R_e // R_f$.

For the comparator's output to switch back to ground, the value of V_{in} must fall to some value, V_1 , such that V_a becomes

equal to V_{ref} . This condition is shown in Fig. 4(c). Here

$$V_a = V_{ref} = \frac{R_f}{R_e + R_f} V_1 + \frac{R_e}{R_e + R_f} V_{cc}$$

i.e.

$$V_1 = V_{ref} (1 + m) - m V_{cc} \quad (8)$$

The hysteresis of the circuit is

$$\Delta V = V_h - V_1 = V_{ref} (1 + m) - [V_{ref} (1 + m) - m V_{cc}]$$

i.e.

$$\Delta V = m V_{cc} \quad (9)$$

Summing up this circuit, the design steps are straightforward once the values of V_{cc} , V_h and V_1 have been decided i.e.

$$\frac{\Delta V}{V_{cc}} = \frac{R_e}{R_f} = m$$

so that

$$R_e = m R_f$$

and

$$V_{ref} = \frac{V_h}{1 + m}$$

The value of V_{ref} is related to V_{cc} , R_6 and R_7 by

$$V_{ref} = \frac{R_7}{R_6 + R_7} V_{cc}$$

or

$$R_7 = \frac{V_{ref}}{V_{cc} - V_{ref}} R_6 \quad (10)$$

Input over-voltage protection

Figure 5 shows one simple method of incorporating over-voltage protection. The input signal is applied via R_1 (the excess voltage dropping resistor) which is in a series with the trigger's input. Diodes D_1 and D_2 provide voltage

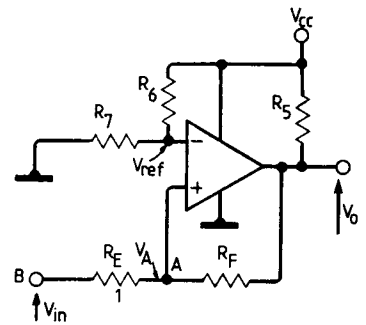


Fig. 3. Non-inverting trigger.

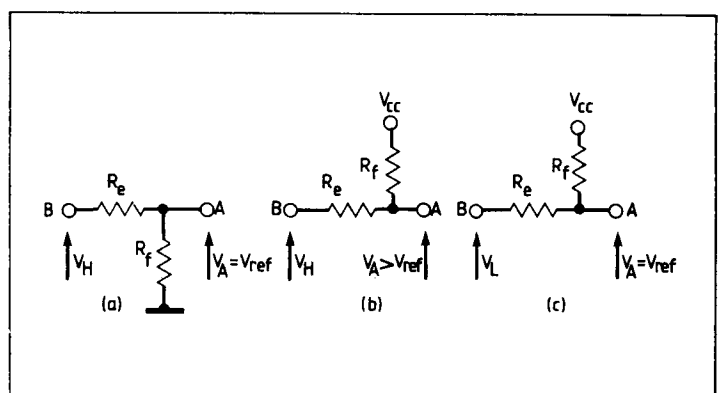


Fig. 4. Equivalent input circuit of Fig. 3 for low (a) input. At (b) is the condition after a rise of input voltage and at (c) the condition for switching V_o to GND.

Fig. 5. Simple over-voltage protection, with clamping diodes; giving inadequate protection.

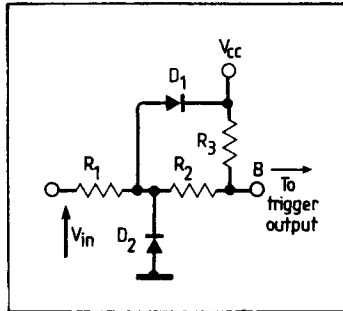
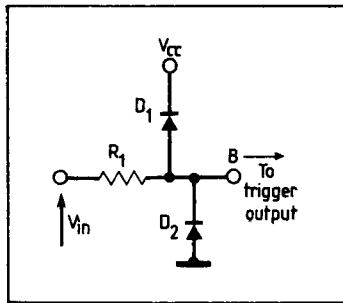


Fig. 6. Resistors R1 and R3 provide additional protection.



negative input voltages are applied, diode D₂ will conduct, clamping C at one diode volt drop below ground potential. Unfortunately, this will not adequately protect a comparator operating off a single supply voltage. Many comparators have their input terminals which must not go more negative than 0.3 volt below the negative supply rail or damage will result. One way round this problem is to include resistors R₂ and R₃ as shown in Fig. 6. Under large negative input voltage, D₂ conducts clamping C to -V_d while the potential of B becomes

$$V_b = -V_d + \frac{R_2}{R_2 + R_3} (V_{cc} + V_d)$$

Clearly then, if V_b can be prevented from going below ground potential a large margin of safety results. This situation is established provided

$$\frac{R_2}{R_3} \geq \frac{V_d}{V_{cc}}$$

The transfer function of this protection circuit for input voltages between V_{cc} and ground is given by

$$V_b = p V_{in} + (1 - p) V_{cc}$$

where

$$p = \frac{R_3}{R_1 + R_2 + R_3}$$

However, this is true only for signal sources having negligible output impedance. In practice the signal source, V_s, has finite impedance. Let us assume it is purely resistive and of value R_s. Where R_s is not negligible compared with the series combination of R₁ and R₂, the

value of V_b will alter appreciably (for a given value of V_s applied) when the variation of R_s is significant. This variation of V_b may be reduced by including the resistor R₄ as shown in Fig. 7(a).

The Thévenin equivalent is given in Fig. 7(b), where

$$R_x = R_4 // (R_1 + R_2)$$

and

$$V_x = \frac{R_4}{R_1 + R_4 + R_5} V_s$$

The transfer function of the circuit in terms of V_x is

$$V_b = V_x + \frac{R_2 + R_x}{R_2 + R_x + R_3} (V_{cc} - V_x)$$

Expressing this in terms of V_s we have

$$V_b = \frac{R_3 \cdot R_x}{R_t \cdot (R_1 + R_s)} V_s + (1 - \frac{R_s}{R_t}) V_{cc} \quad (11)$$

where

$$R_t = R_x + R_2 + R_3$$

One obvious effect of this protection circuitry is the attenuated hysteresis of output compared with input. In other words, the difference in voltage thresholds of the source is greater than those of the trigger circuit. The attenuation factor is

$$\frac{\Delta V_b}{\Delta V_s} = \frac{R_3 \cdot R_x}{R_t \cdot (R_1 + R_s)}$$

One important point may be easily overlooked. When the ground potential input terminals are open-circuited, the potential at B, V_{bo} is fixed by the potential divider formed by R₂, R₃ and R₄ where

$$V_{bo} = \frac{R_2 + R_4}{R_2 + R_3 + R_4} V_{cc} \quad (12)$$

It is important that this does not lie within the deadband of the trigger circuit. It should therefore be arranged that either

$$V_{bo} > V_h \text{ or } V_{bo} < V_l$$

to ensure that the comparator's output digital state is clearly defined in the open circuit input condition.

The circuits of Fig. 8(a) and Fig. 8(b) illustrate the inverting and non-inverting trigger circuits respectively with their protection circuitry. Capacitor C₁ is added to both circuits to enhance the switching speed.

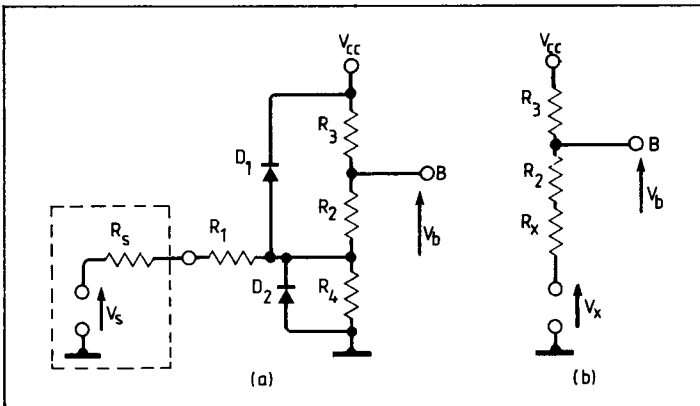


Fig. 7. Resistor R4 reduces dependence of V_b on R_s at (a). Thévenin equivalent is shown at (b).

Fig. 8. Inverting (a) and non-inverting (b) trigger circuits in final form, with speed-up capacitors C₁.

clamping. If V_{in} rises above V_{cc} + 0.5 volt, then D₁ conducts, clamping the terminal, C, to one forward diode volt drop above V_{cc}. The excess voltage dropped across R₁ must be no greater than V_r. Here

$$V_r = \sqrt{P R_1}$$

where P is the rating of R₁ in watts and R₁ is in ohms. If

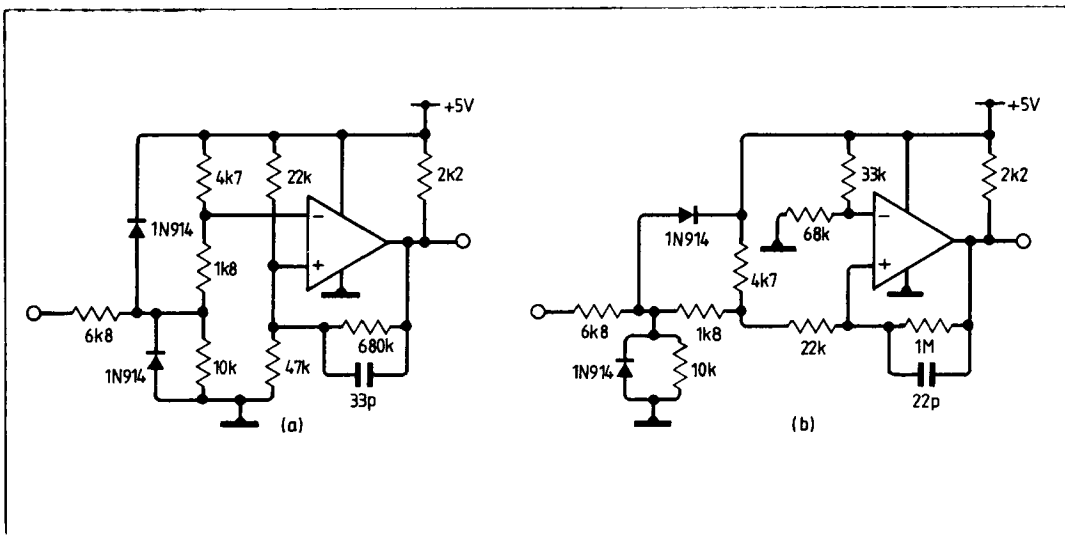
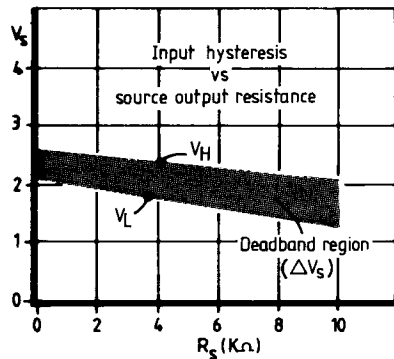


Fig. 10. Variation of input hysteresis with source resistance.



To obtain the ratio of R_7/R_6 we use equation (10), from which

$$R_7 = \frac{3.366}{1.634} R_6$$

or

$$R_7 = 2.06 R_6.$$

Suitable values are

$$R_6 = 33k \text{ and } R_7 = 68k.$$

The circuit of Fig. 9(b) has identical input switching levels to that of Fig. 9(a).

Computer-aided design

There are a few basic rules of thumb which aid the initial selection of some of the components used in these circuits. However, in the final selection the repetitive calculations are time consuming to say the least. It is very convenient to use a simple Basic program which

prints out the parameters from the component values which the designer supplies. Trial and error, with the computer doing the real donkey work, can yield the final component selection in a short period of time.

The program was written for an Apple microcomputer, but is easily adapted to run on any other machine. It allows the user to input values of V_{cc} , R_a , R_b and R_c , which are processed to determine V_h and V_l . When the additional values of R_1 , R_2 , R_3 and R_4 are input, the program calculates and displays the upper and lower input terminal threshold potentials for input source resistances, varying in 1k steps, from zero to 10k. It also displays V_h , V_l and V_{bo} , indicating where the latter lies relative to the deadband region.

Finally the ratios of R_e / R_f and

R_7 / R_6 are also given. In this way both inverting and non-inverting trigger circuit component values are provided. Other variations of program may be written using the design equations quoted. For example, the priority may be to set more stringent input hysteresis levels. In this case the optimum relative values of R_1 , R_2 , R_3 and R_4 may require to be evaluated first. V_h and V_l will then be established, from which the ratios of $R_a : R_b : R_c$ will be determined. Some compromise will be inevitable, however, if the choice of resistor values is restricted to the common preferred value ranges.

Reference

Linear Applications Handbook, National Semiconductor Corporation, Application Note 74.
R.T. Smathers, T.M. Frederiksen and W.M. Howard

Human responses to 'intelligent' machines

continued from page 34

proposed that the mental experience and the space-time description of the physical world were two different groupings of the same reality, a 'neutral stuff', which could not be known in any other way. Rather similar is the theory of 'identity' — that the reality experienced subjectively and the reality described objectively are identical. The psychical and physical are two different aspects of it.

Functionalism

It was perhaps the programmable computer, and certainly artificial intelligence, which contributed to the theory of functionalism as a philosophy of mind.⁶ Here, as the name implies, function is everything. The question of what actually functions, whether living cells in humans or electronic devices in machines, is not important. So the physical processes which represent mental states are ignored in this theory, but the functional role of these states, their abstract causal relationships, is the thing that really matters. All meaning is conveyed by this functional role. Thus, in the words of J.A. Fodor writing in *Scientific American*, "Functionalism . . . recognizes the possibility that systems as diverse as human beings, calculating machines and disembodied spirits could have all mental states."

Obviously this theory is highly abstract, but it is attractive because it raises none of the problems of dualism or of materialism. It draws on modern ideas from computer science, artificial intelligence, linguistics, cybernetics and psychology. Furthermore it seems to provide something of a solution to the 'problem of other minds.' Causal relationships in

the functioning of anything are objective and open to public inspection and debate. If mental states have this nature, as suggested by functionalism, then they must be accessible to scientific investigation like other things and events.

However, there are objections to the theory (see reference 6). One argues that it is just wrong. Another that it is true but in a very trivial way because any property in the world can be specified in terms of its functional role and causal relationships. But whether valid or not, functionalism is relevant to the present discussion because it is compatible with biological and technological realities and it provides a common factor in humans and 'intelligent' machines.

Summing up

If, as some philosophers argue, the common-sense, dualistic concept of mind is a mistake, we should not really be outraged by the idea that the processing activity we do perform could also take place in machines. Secondly, as the existence of 'other minds' can only be inferred in humans on the evidence of external behaviour, we would be at least consistent if we inferred that the activity we thus described as 'mind' could also go on in machines

when the evidence of *their* external behaviour warranted it.

Thirdly, if functionalism is a valid theory, it gets rid of the weakness of having to rely on inference to solve the problem of 'other minds', because it proposes that the causal relationships in the functioning of mental processes are objectively real and therefore open to public inspection. Finally, if these philosophical considerations are reasonable, they could influence the way we perceive and react to 'intelligent' machines and hence the way we design and use them.

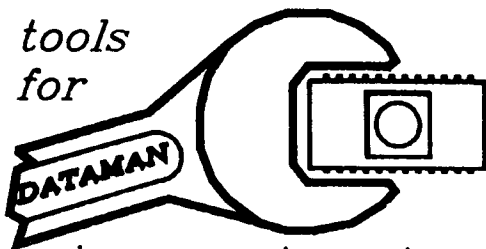
References

1. C.R. Evans, "Chatting with computers", *Electronics & Power*, 17 April 1975.
 2. I.H. Witten and P.H.C. Madams, "The Chatterbox — 2", *Wireless World*, January 1979, p.80.
 3. J. Weizenbaum, "Eliza — a computer program for the study of natural language communication between man and machine", *Communications of the Association for Computing Machinery*, vol. 9, no. 1, January 1965, pp. 36-45.
 4. A. M. Turing, "Computing machinery and intelligence", *Mind*, vol. 59, 1950, p. 433.
 5. G. Ryle, *The Concept of Mind*, Hutchinson: London, 1967.
 6. C. McGinn *The Character of Mind*, Oxford University Press: Oxford, 1982, chap. 2, pp. 33-36.
- A non-technical and easily understood explanation of the mind-body problem in the light of modern science and technology was given by Prof. J. Searle in the BBC's 1984 Reith Lectures, "Minds, brains and science." These were printed in *The Listener*, 8, 15, 22, 29 Nov., 6, 13, 20 Dec. 1984.

Let your mind alone — James Thurber

The software programmable digital computer provides a modern metaphor for this sort of monism. Such a computer in operation can be described either on the level of its physical construction and successive electrical states or on the level of the abstract functions and logical relationships of its program. Both explanations are true but neither is complete in itself and we have no other way of knowing the reality of the machine.

tools
for

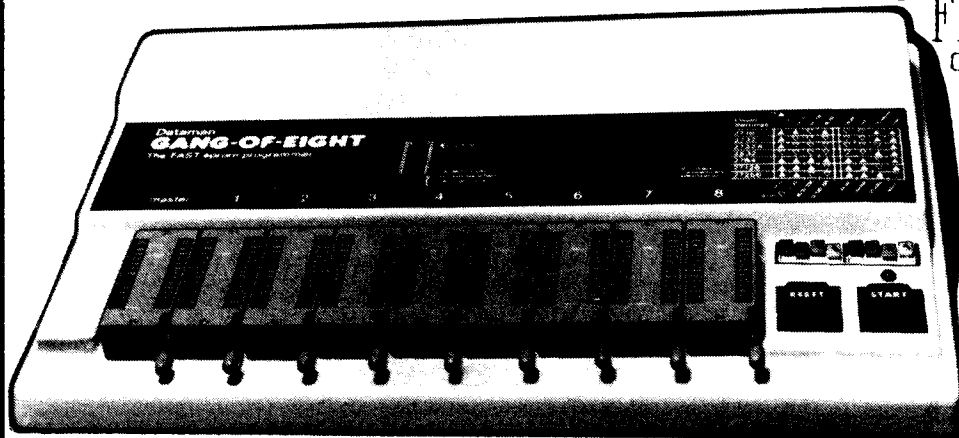


micro engineering CIRCLE 36 FOR FURTHER DETAILS.

DATAMAN

Lombard House, Cornwall Road,
DORCHESTER, Dorset DT1 1RX

phone 0305 68066 telex 418442



FAST EPROM PROGRAMMER

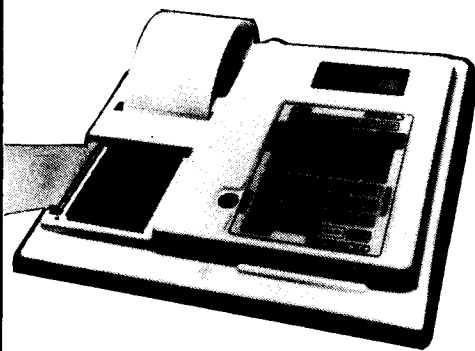
Copies eight EPROMS at a pass
all 25 and 27 series up to 27256
EPROM type is set by switches
erasure is checked automatically
control is simple - two keys
Alpha liquid crystal display
checksum facility 6 hex digits
FAST or NORMAL programming
PLUS VERSION also has:
serial RS232 program & check
CTS or DSR handshake
ASCII, SIMPLE HEX, INTELHEX
MOTOROLA S or TEKHEX

GANG-OF-EIGHT £395
GANG-OF-EIGHT plus £445

AFFORDABLE ATE

Diagnoses bus troubles
Helps mend micro boards
Z80, 6502, 6800, 8085
All covered by one product
Disassemblers included
Plugs into micro socket
Hand-held probe identifies
ADDRESS, DATA and CONTROL
lines at a touch.

Prints a memory map
of an unknown system
showing ROM, RAM, I/O
and EMPTY ADDRESSING SPACE



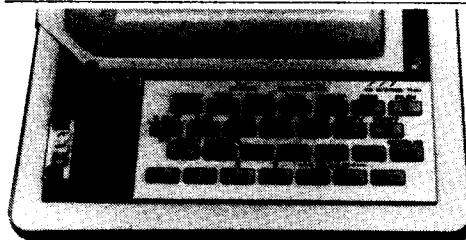
LOGS all tests and responses
on PRINTER and ALPHA LCD
Non-volatile memory
retains test sequences
CHECKSUMS, RAMTESTS,
READS/Writes MEMORY & I/O
Reports location of SHORTS
on ADDRESS and DATA busses
Prints out memory contents
in ASCII, HEX or SOURCE CODE

You cannot expect to mend
microprocessor products with
a meter and a scope.
How many repairs would
pay for your SuperDOC?

SuperDOC.. £395

EPROM EDITOR

Displays HEX on standard TV
with text-editing facilities
inserts and deletes
shifts and copies
bytes and blocks of code
EMULATES EPROM in circuit
using romulator lead supplied



Uploads and downloads
using serial and parallel
routines - RS232, Centronics
PROGRAMS & EMULATES
2716 2732 2532

Useful for development
particularly for piggy-back
single-chip micros

Adaptor is available
to program 2764 & 27128

"Our expensive equipment
stays on the shelf
for weeks - but SOFTY
is used every day"
- says big-budget customer

SOFTY.. £195
ADAPTOR... £25

less postal expenses, if goods returned intact within 14 days
PRODUCT IS USUALLY IN STOCK
TODAY DESPATCH IS POSSIBLE
PHONE FOR A LITERATURE PACK
VAT must be added to prices 69

Z80 TUTOR

Designed for Schools Council
to teach Z80 machine code
MENTA uses TV for display
shows STACK & PROGRAM in HEX

Editing facility includes
direct keyboard ASSEMBLER
RS232-output DISASSEMBLER

Used to write & debug
short machine-code routines
MENTA is a complete
controller with 24 bits of I/O
used for ROBOTICS

TEACHER'S GUIDE, PUPIL READER
MODULES (e.g. A to D) available

MENTA .. £99

COMPUTER BARGAINS

-ring for our BEST OFFER

OLIVETTI M21, M24
with 10MB hard disk if req.
AUTO-CAD & M24 created this AD
also **EPSON PX8**

EPROM ERASERS from £39

BUY IT AND TRY IT
REFUND GUARANTEED



TEST EQUIPMENT

BRUEL & KJOER Level recorder 2305 £85
 KNIGHT SWEEP GENERATOR 3-220MHz £150 + VAT
 BAUSCH & LOMB METALLURGICAO MICROSCOPE..... £500 + VAT
 AIRMEC 20KV IONISATION TESTER 209 £150 + VAT
 BRUEL & KJOER Deviation Bridge 1504 £95 + VAT
 BRUEL & KJOER Voltmeter 2409 £60
 SULLIVAN Inductance bridge R400. Measures L to 11.1H discrimination .002uH £375 + VAT
 GENERAL RADIO Capacitance bridge 1617A £125 + VAT
 BPL RC&L Component comparator with in/out limits indicator unit..... £250 + VAT
 HEWLETT-PACKARD 3465A DMM £125
 BIRD 4370 Thru-line Wattmeter..... £135 + VAT
 POLYSCOPE SWOB I & II..... £250/£450 + VAT
 BOONTON 77B Capacitance limit bridge £175 +
 GEN RAD Oscillator 450-1050MHz £95 +
 GEN RAD 1606A RF Bridge..... £125 +
 AMBER 4400 Audio test set..... £1150
 DATRON 1051 DMM..... £350 +

HEWLETT-PACKARD EQUIPMENT

HEWLETT-PACKARD 3490A DMM..... £350
 HEWLETT-PACKARD 3465A DMM..... £125
 HEWLETT-PACKARD 8405A Vector Voltmeter..... £1000
 HEWLETT-PACKARD 60B-series sig'gens'..... £75-195
 HEWLETT-PACKARD 606A signal generator..... £75
 HP 141T Spectrum analyser. Phone for low quote!
 *** wanted for HP 8551 Analysers - 8W0s ***
 ALSO REQUIRED FOR STOCK GOOD 851/8551s.
 HEWLETT-PACKARD 1707A 75MHz oscilloscope £600

ESCAP DC MOTORS

Swiss-made precision 6V DC motors with 70:1 reduction gearboxes giving final drive speed of 16RPM @ 6V. Diameter 2 1/2cms x 4cms long. PRICE INC. VAT & CARRIAGE £5.25 (Ex-equip. tested & guaranteed).

STEPPER MOTORS

Brand new stock of 'ASTROSYN' Type 20PM-A055 stepper motors. 28V DC. 24 steps per rev. 15 oz-in torque (α 100PPS. Body length 2 1/2", diameter 2", shaft 1/4" diam x 4/4" spirally threaded. Weight 16oz. Price each £11.50 (p&p 50p). Connections supplied. INC. VAT

RALFE · ELECTRONICS

10 CHAPEL STREET, LONDON, NW1 TEL: 01-723 8753



OSCILLOSCOPES

TEKTRONIX 7603 4 trace 75MHz..... £1250
 TELEQUIPMENT D54 dual-trace 10MHz..... £180
 TELEQUIPMENT D83 dual-trace 50MHz..... £425
 SE Labs SM111 dual-trace 18MHz..... £150
 Stock continually changing, please 'phone.
 TELEQUIPMENT D67A dual-trace 25MHz..... £250
 DYNAMCO D7100 dual-trace 30MHz..... £225
 PHILIPS PM3232 dual-trace 10MHz..... £150
 TEKTRONIX 7A19 plug-in 600MHz..... £950

WANTED

Invitation to tender for your surplus to requirement electronic test equipment, computer gear etc. Please send list or 'phone our buyer.

WAYNE KERR EQUIPMENT

WAYNE KERR Universal bridge B224..... £275
 WAYNE KERR B701 Admittance bridge..... £75
 WAYNE KERR Automatic bridge B900. £600
 WAYNE KERR VHF Admittance bridge B801 £45 + VAT
 WAYNE KERR B201 RF Capacitance/Conduct bridge..... £125 + VAT
 WAYNE KERR Torque-Vane X-Band WATTMETER U182..... £275 + VAT
 TRANSVERTERS 240V 50Hz input to 115/230V 60Hz Output @ 250Watt. £300

DISPLAY SCOPES

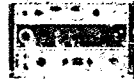
Airmec/Racal 4-channel display oscilloscopes for colleges, educational etc. 17" CRT. DC - 10KHz. Fully operational..... £125 + VAT

MAINS CONDITIONERS

Constant-voltage transformers
 SOLA 230V 1KW cut..... £95 + VAT
 ADVANCE 230V 500W..... £75 +
 CLAUDE LYONS 3KW..... £175 +
 SERVOMEX 5KW..... £175 +
 SERVOMEX 3KW..... £125 +
 - carriage on any type £10 each.

PLEASE NOTE: All our used equipment is sold in full working condition and carries a 90 day warranty. For our mail-order customers, we offer a money back if not satisfied guarantee. OFFICIAL ORDERS ACCEPTED FROM GOVERNMENT BODIES ETC.

MARCONI TEST EQUIPMENT



TF2370 SPECTRUM ANALYSER £5K
 TF2300 AM/FM Modulation meters £400
 TF2331 Distortion meter..... £400
 TF144H Series generators from £75 - £150
 TF868 Universal bridge..... £75
 TF2301 Programmable Mod' meter £250
 TF2607 AC/DC Voltmeter..... £200
 TF1245 Q-Meter & oscillators. £575
 TF1066B/1 AM/FM Sign gen 10-470MHz..... £450
 TF995B/5 AM/FM sig gen 1.5-220MHz..... £425
 TF1064 AM/FM sig. gens..... £95
 TF2604 Electronic Voltmeter..... £125
 TF893A Audio power meters..... £85
 TF2700 Universal bridge..... £200
 TF2000 Audio sig gen/attenuator..... £175
 TF2330 Wave analyser audio..... £350
 TF2002 MF/HF AM sig generator £400
 TF791D Deviation meter..... £175
 TF2606 Differential DC voltmeter £125
 TF1152A RF power meters 25W £75

COMPUTER PERIPHERALS

1.6MB 8" FLOPPY DISC DRIVES — New Stock

BRAND NEW At a surplus price, Fully Shugart compatible 'MFE CORPORATION' Model M-700 DOUBLE-SIDED industry standard 8" Floppy disc drives. Double-density, up to 1.5MBytes. Power requirements ±5V and ±24V @ 1A. 240V AC 50Hz. LOWEST PRICE EVER, £160 — INC. VAT, CARRIAGE & HANDBOOK.

DRE 4000A DRIVES

Data Recording Equipment Model 4000A 5 + 5 MB Top-loading disc drives in stock. Brand new including full technical manual. Few remaining £250 each + VAT.

MULTI-RAIL LINEAR PSU's

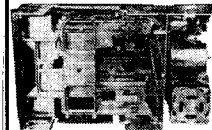
Recent stock of brand new COUTANT ESM-Series Power Supplies at surplus prices. Model ESM15.2 giving regulated, stabilised DC outputs 5V @ 15A and ±12V to ±15V @ 1.5A each and an un-stabilised 24V @ 2A. 240V AC input. Measures 5x8x11". Fully enclosed. In original cartons with handbooks. £45 each + VAT (+ carriage £5)

ST506 WINCHESTERS

We have in stock genuine SEAGATE ST506 5 1/4" Winchester disc drives sold in little used, fully functional condition complete with OEM manual. Formatted capacity 5MB. PRICE £225 inc. VAT, carriage and manual.

LAST FEW 5MB TO CLEAR @ £145. inc vat

8" SHUGART DISC DRIVES



GENUINE SHUGART MODEL S800. Soft-sectored single-sided industry standard 8" floppy disc drives. 800kb storage. Supplied in excellent condition, little-used. Removed from fully functional equipment. Price including VAT, carriage and Zerox of handbook — £95

TEKTRONIX 4907 FILE MANAGER..... £150 + VAT
 S801 Shugart drive exerciser..... £100

INSTRUMENT COOLING FANS



NEW CONDITION 5-BLADED TORIN 4 1/2" FANS 115V £6
 230V £6 + VAT
 NEW Slimline fans 3 1/2" 115V £6.

CIRCLE 61 FOR FURTHER DETAILS.

TDS 9000

FORTH COMPUTER

You've heard that —

- * Industries from brewing to aerospace use FORTH
- * It is easy to learn and apply
- * It is interactive, yet is compiled for speed
- * Assembler code can be included
- * Development is done on the target system
- * Your VDU, IBM compatible or BBC programs the TDS900
- * TDS900 series computers have a full-screen editor
- * TDS900 series has both N-channel and C-MOS versions
- * TDS902 consumes 25mA and has 62K bytes memory
- * Execution times in microseconds can be measured
- * TDS900 cards have hardware multiply and 16 bit timer
- * They have interrupts, both internal and external
- * Some have non-volatile memory, some 9.8MHz clocks
- * TDS971 offers RS232 and IEEE-488 expansion
- * TDS972 adds RS232, A to D and parallel ports
- * TDS973A gives opto-isolation on 32 input/outputs

FORTH computers start at £99



Triangle Digital Services Ltd
 100a Wood Street, London E17 3HX
 Telephone 01-520-0442 Telex 262284 (Ref M0775)

CIRCLE 15 FOR FURTHER DETAILS.

Happy Memories

Part type	1 off	25-99	100 up
4116 200ns.....	1.25	1.15	1.10
4164 150ns Not Texas.....	1.35	1.15	1.05
41256 150ns.....	2.95	2.70	2.55
2114 200ns Low Power.....	1.75	1.60	1.55
6116 150ns.....	1.99	1.80	1.65
6264 150ns Low power.....	3.75	3.45	3.30
2716 450ns 5 volt.....	3.85	3.45	3.30
2732 450ns Intel type.....	4.75	4.25	4.10
2764 300ns Suit BBC.....	2.15	1.99	1.80
27128 300ns Suit BBC.....	2.95	2.65	2.40
27256 250ns.....	5.95	5.45	5.10

Low profile IC sockets: Pins 8 14 16 18 20 24 28 40
 Pence 12 13 14 16 18 24 27 38

Available now — The ROAM BOARD for the BBC Micro. Reads Roms via a Low Insertion Force Socket and saves their contents as files, then reloads a file into its sideways Ram as required. Full details on request.

74LS series TTL. wide stocks at low prices with DIY discounts starting at a mix of just 25 pieces. Write or 'phone for list.

Please add 50p post & packing to orders under £15 and VAT to total.

Access orders by 'phone or mail welcome.

Non-Military Government & Educational orders welcome., £15 minimum.

HAPPY MEMORIES (WW),
 Newchurch, Kington,
 Herefordshire HR5 3QR.
 Tel: (054 422) 618

CIRCLE 65 FOR FURTHER DETAILS.

ELECTRONICS & WIRELESS WORLD MARCH 1986

High-speed interface/buffer

Using output from an a-to-d converter as an address, this buffer interface can store 500 million data words in 16Kbyte of memory.

When attempting to use high data-rate peripherals with a computer, one can find that the computer is too slow to collect the data and reset any flags involved. To overcome this problem I have designed a buffer interface to connect the peripheral device — in this case an analogue-to-digital converter, or a-to-d converter — to the computer.

Two static 8K-by-8bit memories are used to store around 537 million data words ($2^{13} \cdot 2^{16} = 2^{29}$). To store this data block, the computer sends 8192 13bit addresses sequentially and receives 8192 16bit data words.

This action greatly reduces the amount of computing time required. Resetting of the end-of-conversion flag and a-to-d converter data storage are carried out independently of the computer within the interface.

Another advantage is that the converter runs at its maximum speed because the buffer interface resets the converter flag 300 to 500ns after the end of conversion; the computer has access to the data at all times.

The trick of the design is to use a-to-d converter output as an address (maximum 13bit) for the two 8k by 8bit memories. There are 13 address lines, A_0 to A_{12} , ranging from zero to $1FFF_{16}$.

Each time that the converter presents the same data word (0000_{16} to $1FFF_{16}$), the logic section of the buffer interface counts these data words and stores them in the data section of the memories. Counting must start with the memory contents set to zero. Considering the

8192 addresses as 8192 channels, by connecting the address lines of the two memories in parallel, with A_0 of the first memory to A_0 of the second and so on, a data-word width of 2^{16} is created.

This means that each channel can store 2^{16} counts. For example, if the converter generates data word $03F9_{16}$ 2663 times in a long run of conversions, then the data section of the two memories combined reads 2663 in address $03F9_{16}$.

Features

By using the HM6264P-12 static memory with an access time of 120ns data throughput is about 500kHz. This can be significantly increased by using faster memories and shift registers and raising clock frequency from 18MHz to 25MHz (40ns steps).

Large amounts of data can be stored — 2^{29} data-words — without any computer interruption, other than for magnetic tape storing and graphics. To store this block of data only 8192 direct memory access interruptions are needed.

The buffer takes only 900ns for storing one data word from the converter and 600ns for a computer read-request operation. To reset the buffer internally before starting a new data-acquisition run of 2^{29} data words takes only 110ms.

Bus system — data in

From the bus system diagram you can see that the data word of the converter, or any other

external device, is loaded into latch/bus-driver $IC_{15,16}$ on the rising edge of pin 5 of IC_{30} . Simultaneously the converter receives a reset signal from pin 5 of IC_{30} through a monostable i.c.

The converter is now free to generate another data word. Note that the computer is not interrupted in any way. From $IC_{15,16}$ the data word is now transferred to register/counter $IC_{13,14}$, freeing $IC_{15,16}$ to accept another converter data word.

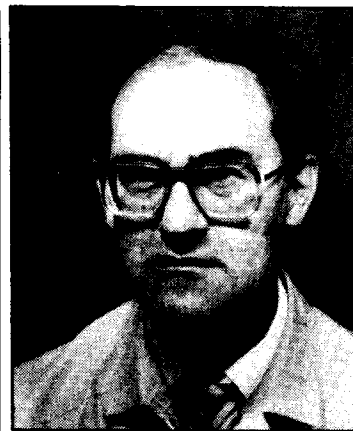
By enabling the three-state output of $IC_{13,14}$, the data word is presented to the address inputs of the two memories $IC_{10,6}$. Address decoding in $IC_{10,6}$ selects one of the 8192 locations (2^{13}), each consisting of a 16bit data word. Data acquisition runs start with all locations zeroed as detailed later.

With output enable \overline{OE} low, data word zero appears on the input/output pins of $IC_{6,10}$ and is loaded into register/counter $IC_{7,11}$. Signal \overline{OE} goes high again and the counter of $IC_{7,11}$ receives a clock signal which increments zero by one.

Output of $IC_{7,11}$ is enabled and the data word 0001 is written back into the memories using \overline{WE} . Note that the three-state output of $IC_{13,14}$ is enabled during reading from and writing to the memories, so this operation takes place in the same address location.

Because the a-to-d converter generates data words between values zero and $1FFF_{16}$, all address locations are used. If after a long data acquisition run the converter has generated a unique data word 2^{16} (65536) times, the buffer interface stops taking data, Fig. 1.

by J.F. van der Walle, M.I.E.E.



J.F. van der Walle is senior experimental officer at Manchester University Physics Department and has been principally engaged in interfacing fast analogue-to-digital converters to computers. In addition he designs charge-coupled-device support circuits for use in nuclear experiments.

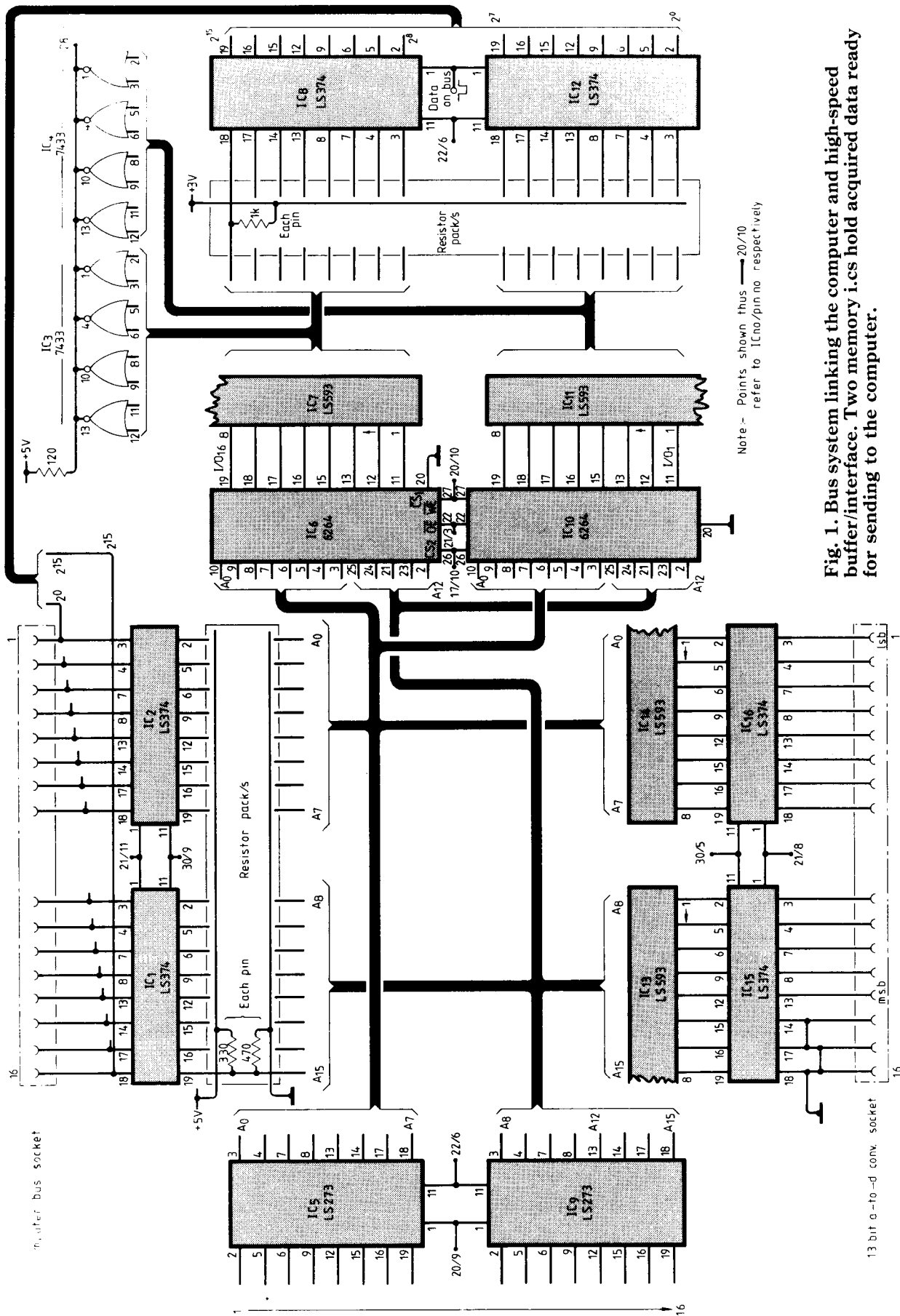


Fig. 1. Bus system linking the computer and high-speed buffer/interface. Two memory i.cs hold acquired data ready for sending to the computer.

Bus system — data out

The buffer interface now sets a flag — Data ready — to the computer. There are several ways of getting the data into the computer.

One alternative is to take only a few data words into the computer, i.e. if one wants to check only a few data channels. Another alternative is for the computer to take in all 8192 data words by sending all of the addresses in sequence and receiving the data words in return.

From the diagram follows that the computer puts a 13bit address word into latch/bus-driver IC_{1,2}. This word is presented to the memory address inputs by enabling the three-state output of IC_{1,2}. When low, signal OE transfers a 16bit memory data word into IC_{8,12} and the Read data flag is set.

The computer now enables the three-state output of IC_{8,12} and the 16bit data word goes through a 16-way data bus into computer memory. Direct memory access is here the best solution.

This procedure carries on until the computer has reached address-word 1FFF. Note that the data word goes through IC_{8,12} and that each address from the computer is clocked sequentially into latch IC_{5,9}.

When address word 1FFF appears on the latch output, it resets the buffer interface through a NAND gate so that data acquisition resumes.

The computer has access to the data at all times, under light-pen or real time-clock control, while acquisition takes place.

From the bus system diagram you can see that the address bus links IC_{1,2,5,9,13-16} and address inputs of the memories and is terminated by line resistors from resistor packs. Each line resistor is 330Ω in series with a 470Ω resistor to ground, so address bus voltage has a high level of about 3V and a low of approximately 400mV.

The internal data bus is formed by input/output of IC_{6,10}, IC_{7,8,11,12} inputs and 16 terminator resistors of 1kΩ each connected to a 3V supply, Fig. 2.

Logic section

Dual bistable device IC₂₅, driven by an 18MHz oscillator, and decoder IC₁₉ form the

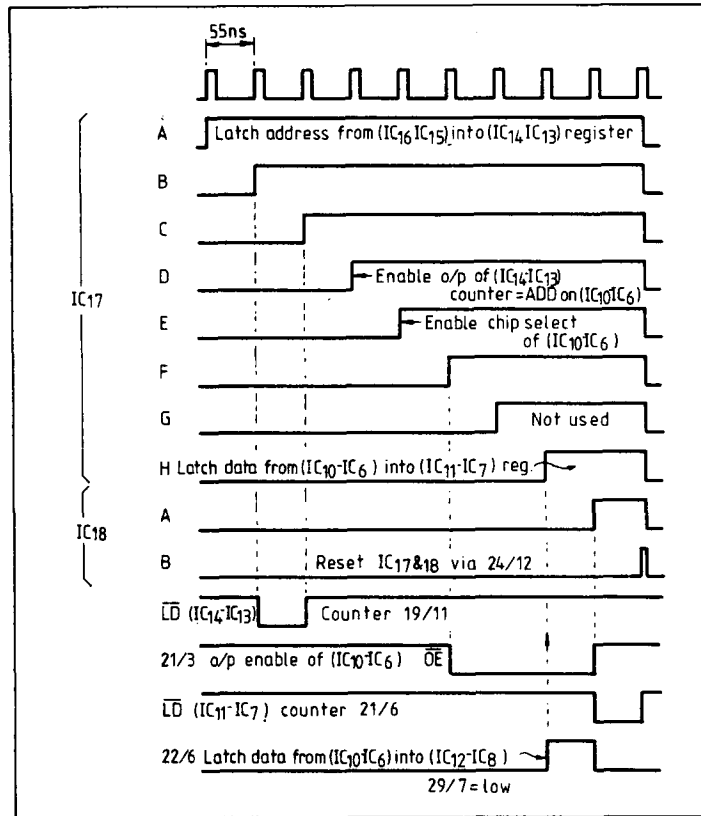


Fig. 2. Timing for data output. The 13bit address is latched then presented B to the memory address lines.

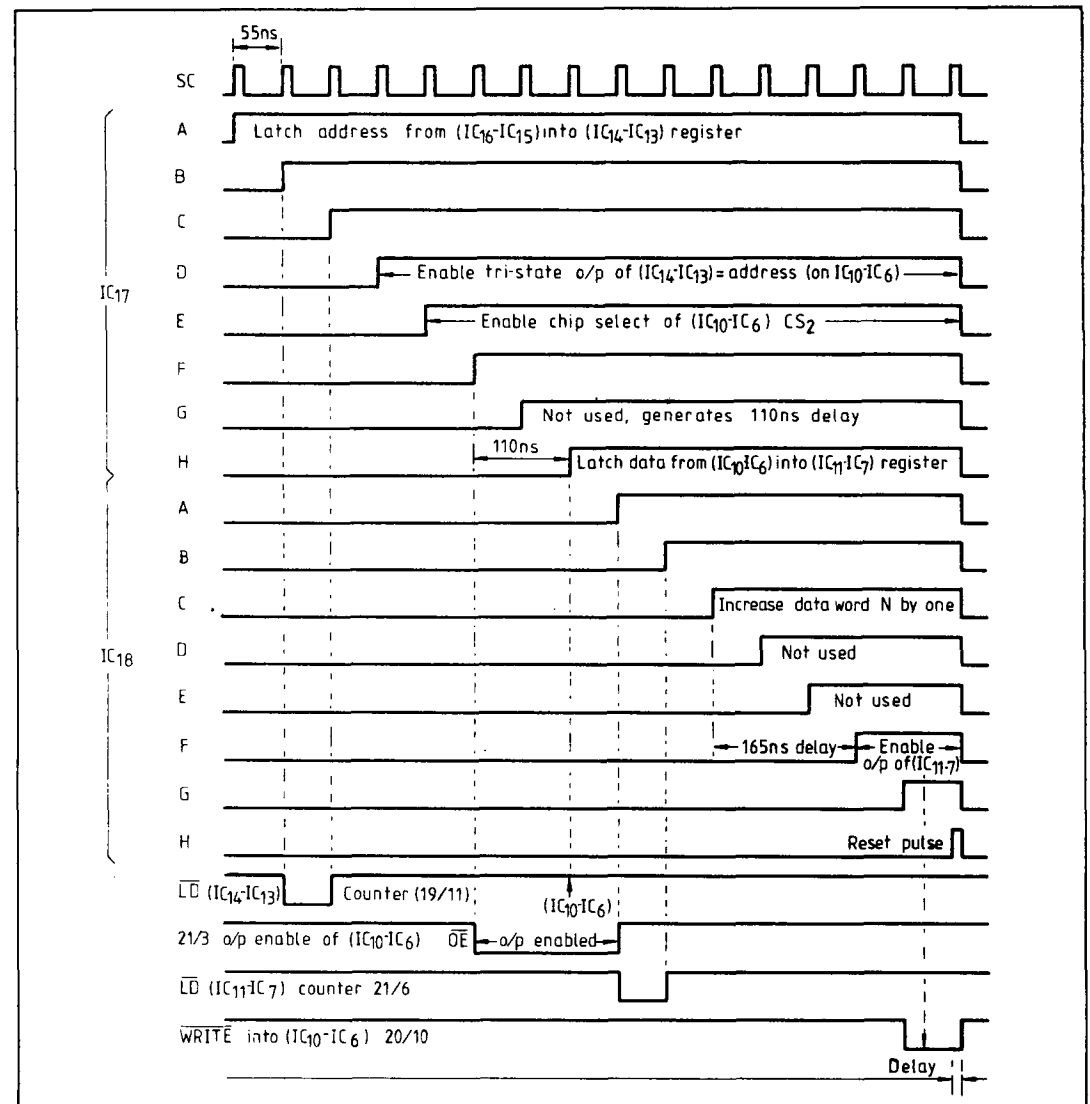
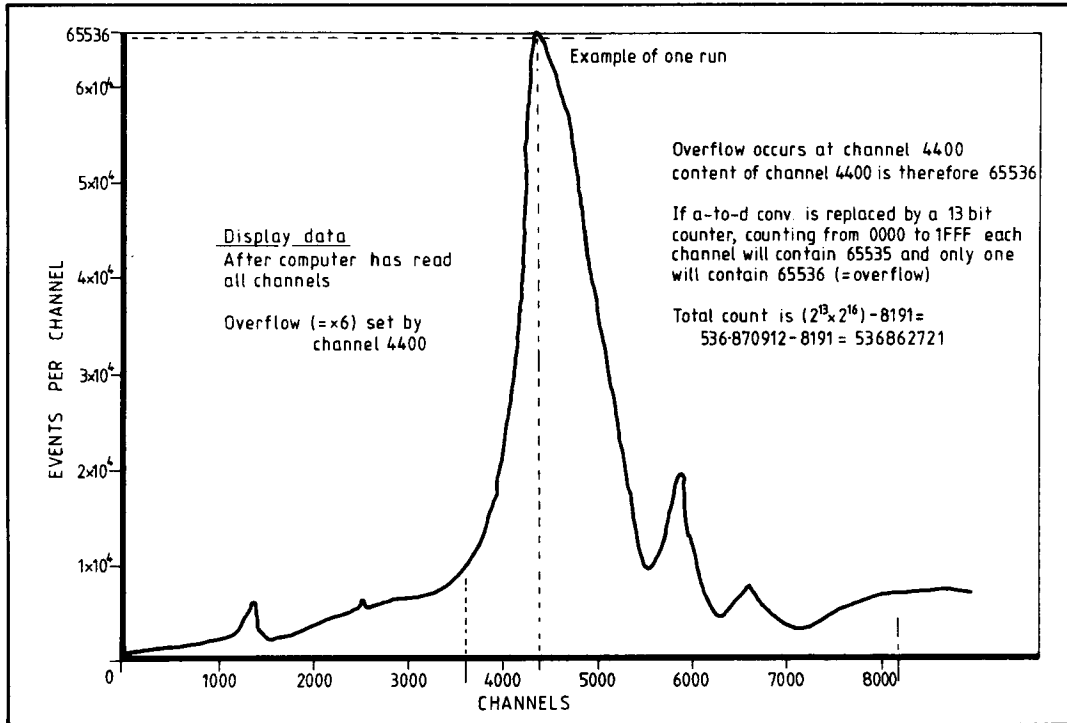


Fig. 3. Timing for data input. Shift register outputs determine the sequence. SC is the 18MHz system clock.

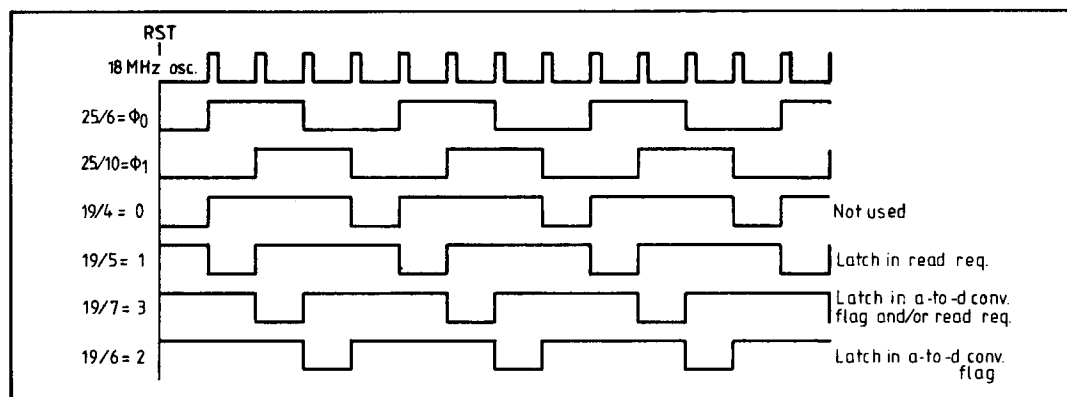


Results from one run after overflow in location 4400₁₀. This means that the a-to-d converter produced the word 1130₁₆ a total of 65536 times. Data for this display came from a scintillation counter measuring a radioactive material. The buffer/interface is particularly suited to testing high-speed a-to-d converters for linear performance at maximum conversion speed.

Table 1. Shift registers determine the converter data processing sequence.

IC	Pin	Function
17	3	Clocks data word from IC _{15,16} to register IC _{13,14} . Bus driver IC _{15,16} is enabled by IC ₂₁ , pin 8.
17	4	Disables IC _{15,16} output and loads counter IC _{13,14} with data.
17	5	End of load pulse.
17	6	Enables bus-driver output of IC _{13,14} . Data word now appears at address inputs of IC _{6,10} .
17	10	Enables chip-select on IC _{6,10} .
17	11	Removes preset through pin 9 of IC ₂₆ from IC ₂₄ pin 11, enables output of IC _{6,10} . The data word belonging to the specified address now appears on IC _{6,10} I/O pins.
17	12	Unused, gives a delay of 110ns between previous and following steps.
17	13	Enables inputs A ₁ and B ₁ of IC ₁₈ and clocks data word from IC _{6,10} to register of IC _{11,7} .
18	3	Loads data word from register of IC _{11,7} into counter of same i.cs. Output enable OE goes high.
18	4	End of load pulse.
18	5	Increments counter contents of IC _{11,7} by one.
18	6,10	Unused, giving 165ns delay between previous step and the next, allowing the counter to ripple through.
18	11	Enables bus driver of IC _{11,7} .
18	12	Writes incremented data word back to IC _{6,10} . Because IC ₁₇ pin 6 is still high, reading and writing into IC _{6,10} occurs in the same address location.
18	13	Clears bistable device IC ₂₄ , sending reset to pins 6 of IC _{29,30} , and sets pin 9 of IC ₂₄ , Fig 3.

Fig. 4. Decoder output sequence is 0-1-3-2-0 to avoid switching spikes.



search and execute section of the buffer-interface. To prevent switching transients, the decoder-output sequence is 0-1-3-2-0.

When output three of decoder output IC₁₉, pin 7 goes low and there is a converter Flag signal at pin 11 of IC₂₂ (low) or a read request signal, RDRQ, from the computer at pin 11 of IC₃₀ (high), or both, bistable device IC₃₀ will clock in those signals. The converter flag causes pin 5 of IC₃₀ to go high and the converter data word is latched into IC_{15,16}; the read-request address-word from the computer is placed into IC_{1,2} by pin 9 of IC₃₀.

Next, decoder output pin 6 of IC₁₉ goes low. Because pin 5 of IC₃₀ is high, pin 6 of IC₃₀ is low and pin 3 of IC₂₉ is high. Pin 6 of IC₂₉ goes low and causes a low on the preset of bistable device IC₂₄. As a result, pin 10 of IC₂₄ goes high and serial-in parallel-out shift registers IC₁₇ and IC₁₈ generate a sequence of levels because inputs A₁ and B₁ of IC₁₇ are continuously high. Converter data is now processed according to Table 1.

Storing of a converter data word takes approximately 900ns. Bistable device IC₂₅ starts driving the decoder IC₁₉ again which steps from zero to one. Read-request signal RDRQ causes pin 7 of IC₃₀ to go low and pin 9 to go high.

When pin 5 of IC₁₉ goes low, the low on IC₃₀, pin 7 will cause pin 7 of IC₂₉ to go low and now the same sequence of events occurs. However, because pin 7 of IC₂₉ is low, pin 6 of IC₂₂ goes high for 55ns to load the data word from the memories into IC_{8,12} and the address, as it appears on the address bus, into IC_{5,9}.

Another difference is that now pin 5 of IC₂₉ is low again so bistable device IC₂₄ changes state on the leading edge of pin 4 of IC₁₈ preventing any writing into the memories. Hence data in the memories will not be incremented or corrupted during RDRQ Fig. 4.

Control logic circuitry, memory operation and data transfer are subjects of the next and final article. Some i.cs mentioned here appear in the control logic circuit.

LANGREX SUPPLIES LTD

Climax House, Fallsbrook Rd., Streatham, London SW16 6ED

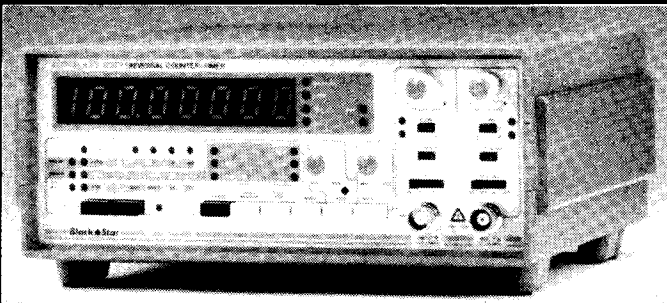
RST Tel: 01-677 2424 Telex: 946708 RST

2N3702 0.11
2N3703 0.11
2N3704 0.11
2N3705 0.11
2N3706 0.11
2N3707 0.11
2N3708 0.11
2N3709 0.11
2N3710 0.11
2N3711 1.20
2N3712 1.20
2N3713 1.20
2N3714 1.20
2N3715 1.20
2N3716 1.20
2N3717 1.20
2N3718 1.20
2N3719 1.20
2N3720 1.20
2N3721 1.20
2N3722 1.20
2N3723 1.20
2N3724 1.20
2N3725 1.20
2N3726 1.20
2N3727 1.20
2N3728 1.20
2N3729 1.20
2N3730 1.20
2N3731 1.20
2N3732 1.20
2N3733 1.20
2N3734 1.20
2N3735 1.20
2N3736 1.20
2N3737 1.20
2N3738 1.20
2N3739 1.20
2N3740 1.20
2N3741 1.20
2N3742 1.20
2N3743 1.20
2N3744 1.20
2N3745 1.20
2N3746 1.20
2N3747 1.20
2N3748 1.20
2N3749 1.20
2N3750 1.20
2N3751 1.20
2N3752 1.20
2N3753 1.20
2N3754 1.20
2N3755 1.20
2N3756 1.20
2N3757 1.20
2N3758 1.20
2N3759 1.20
2N3760 1.20
2N3761 1.20
2N3762 1.20
2N3763 1.20
2N3764 1.20
2N3765 1.20
2N3766 1.20
2N3767 1.20
2N3768 1.20
2N3769 1.20
2N3770 1.20
2N3771 1.20
2N3772 1.20
2N3773 1.20
2N3774 1.20
2N3775 1.20
2N3776 1.20
2N3777 1.20
2N3778 1.20
2N3779 1.20
2N3780 1.20
2N3781 1.20
2N3782 1.20
2N3783 1.20
2N3784 1.20
2N3785 1.20
2N3786 1.20
2N3787 1.20
2N3788 1.20
2N3789 1.20
2N3790 1.20
2N3791 1.20
2N3792 1.20
2N3793 1.20
2N3794 1.20
2N3795 1.20
2N3796 1.20
2N3797 1.20
2N3798 1.20
2N3799 1.20
2N3800 1.20

SEMICONDUCTORS

AA119 0.10	ASZ17 1.00	BC177 0.15	BD137 0.30	BF259 0.30	CRS1 40 0.60	OAZ11 1.00	OC202 5.50	ZTX107 0.12	2N708 0.22
AA130 0.17	ASZ16 2.00	BC178 0.28	BD138 0.30	BF336 0.30	CRS4 40 0.75	OAZ201 1.50	OC203 5.50	ZTX108 0.12	2N709 0.25
AA131 0.30	ASZ15 1.60	BC179 0.15	BD140 2.00	BF337 0.30	CRS5 60 0.90	OAZ206 1.50	OC204 7.00	ZTX109 0.12	2N710 0.12
AA132 0.30	ASZ14 1.60	BC180 0.11	BD141 0.30	BF338 0.30	CRS6 60 0.90	OAZ207 1.50	OC205 10.00	ZTX300 0.13	2N711 0.35
AA133 0.30	ASZ13 4.50	BC181 0.09	BD181 0.75	BF521 4.00	GEX66 3.00	OC16 5.00	OC206 8.50	ZTX301 0.14	2N1332 0.35
AA134 0.35	ASZ12 4.75	BC182 0.11	BD183 0.75	BF528 2.50	GEX541 6.50	OC12 6.00	OC207 18.00	ZTX302 0.14	2N1333 1.80
AA135 0.35	ASZ11 4.75	BC183 0.09	BD237 0.35	BF531 0.30	GJM3 3.00	OC20 6.00	OC208 18.00	ZTX303 0.14	2N1304 0.90
AA136 0.35	ASZ10 4.75	BC184 0.11	BD238 0.35	BF532 0.30	GM0378A 1.75	OC22 4.50	ORP12 2.40	ZTX304 0.14	2N1305 1.00
AA137 0.35	ASZ9 4.75	BC212 0.11	BD239 0.35	BF533 0.30	KS100A 0.45	OC23 10.00	R2008B 1.95	ZTX311 0.13	2N1306 3.00
AA138 0.35	ASZ8 4.75	BC213 0.11	BDX10 0.91	BFW11 1.01	MJE340 0.75	OC24 3.00	R2009 2.25	ZTX314 0.25	2N1320 1.00
AA139 0.35	ASZ7 4.75	BC214 0.11	BDX32 2.00	BFX84 0.28	MJE370 0.73	OC25 1.75	R2010B 2.00	ZTX501 0.14	2N1308 4.00
AA140 0.35	ASZ6 4.75	BC215 0.09	BDY10 2.40	BFX85 0.28	MJE371 1.05	OC26 1.50	TIC44 0.48	ZTX501 0.14	2N1309 1.50
AA141 0.35	ASZ5 4.75	BC216 0.09	BDY20 1.50	BFX87 0.28	MJE520 0.75	OC28 5.50	TIC26BD 1.20	ZTX502 0.14	2N1613 0.30
AA142 0.35	ASZ4 4.75	BC217 0.09	BDY60 1.50	BFX88 0.28	MJE521 0.73	OC29 4.40	THL209 0.29	ZTX503 0.14	2N1671 5.00
AA143 0.35	ASZ3 4.75	BC218 0.09	BDY160 1.50	BFX89 0.28	MJE522 0.73	OC35 4.00	TIP29A 0.35	ZTX504 0.20	2N1693 0.30
AA144 0.35	ASZ2 4.75	BC219 0.09	BF115 0.20	BFY50 0.28	MJE2955 2.25	OC35 4.00	R2009 2.25	ZTX503 0.20	2N1939 0.30
AA145 0.35	ASZ1 4.75	BC220 0.09	BF152 0.16	BFY51 0.28	MJE3055 2.00	OC36 4.00	R2009 2.25	ZTX503 0.20	2N2148 2.75
AA146 0.35	ASZ0 4.75	BC221 0.09	BF153 0.19	BFY52 0.28	MJE3055 2.00	OC36 4.00	R2009 2.25	ZTX503 0.20	2N2148 2.75
AA147 0.35	ASZ0 4.75	BC222 0.09	BF154 0.17	BFY54 0.36	MJE3055 2.00	OC36 4.00	R2009 2.25	ZTX503 0.20	2N2148 2.75
AA148 0.35	ASZ0 4.75	BC223 0.09	BF155 0.20	BFY56 0.65	MJE3055 2.00	OC36 4.00	R2009 2.25	ZTX503 0.20	2N2148 2.75
AA149 0.35	ASZ0 4.75	BC224 0.09	BF160 0.20	BSX19 0.27	MJE3055 2.00	OC36 4.00	R2009 2.25	ZTX503 0.20	2N2148 2.75
AA150 0.35	ASZ0 4.75	BC225 0.09	BF166 0.35	BSX20 0.27	MJE3055 2.00	OC36 4.00	R2009 2.25	ZTX503 0.20	2N2148 2.75
AA151 0.35	ASZ0 4.75	BC226 0.09	BF173 0.45	BT106 1.65	MJE3055 2.00	OC36 4.00	R2009 2.25	ZTX503 0.20	2N2148 2.75
AA152 0.35	ASZ0 4.75	BC227 0.09	BF177 0.30	BT179 400K	MJE3055 2.00	OC36 4.00	R2009 2.25	ZTX503 0.20	2N2148 2.75
AA153 0.35	ASZ0 4.75	BC228 0.09	BF178 0.30	BU205 1.20	MJE3055 2.00	OC36 4.00	R2009 2.25	ZTX503 0.20	2N2148 2.75
AA154 0.35	ASZ0 4.75	BC229 0.09	BF179 0.30	BU206 1.20	MJE3055 2.00	OC36 4.00	R2009 2.25	ZTX503 0.20	2N2148 2.75
AA155 0.35	ASZ0 4.75	BC230 0.09	BF180 0.30	BU207 1.20	MJE3055 2.00	OC36 4.00	R2009 2.25	ZTX503 0.20	2N2148 2.75
AA156 0.35	ASZ0 4.75	BC231 0.09	BF181 0.25	BU208 2.00	MJE3055 2.00	OC36 4.00	R2009 2.25	ZTX503 0.20	2N2148 2.75
AA157 0.35	ASZ0 4.75	BC232 0.09	BF182 0.30	BU209 2.00	MJE3055 2.00	OC36 4.00	R2009 2.25	ZTX503 0.20	2N2148 2.75
AA158 0.35	ASZ0 4.75	BC233 0.09	BF183 0.30	BU210 0.42	MJE3055 2.00	OC36 4.00	R2009 2.25	ZTX503 0.20	2N2148 2.75
AA159 0.35	ASZ0 4.75	BC234 0.09	BF184 0.30	BY126 0.15	MJE3055 2.00	OC36 4.00	R2009 2.25	ZTX503 0.20	2N2148 2.75
AA160 0.35	ASZ0 4.75	BC235 0.09	BF185 0.30	BY127 0.15	MJE3055 2.00	OC36 4.00	R2009 2.25	ZTX503 0.20	2N2148 2.75
AA161 0.35	ASZ0 4.75	BC236 0.09	BF186 0.30	BZ261 0.17	MJE3055 2.00	OC36 4.00	R2009 2.25	ZTX503 0.20	2N2148 2.75
AA162 0.35	ASZ0 4.75	BC237 0.09	BF187 0.30	BZ262 0.17	MJE3055 2.00	OC36 4.00	R2009 2.25	ZTX503 0.20	2N2148 2.75
AA163 0.35	ASZ0 4.75	BC238 0.09	BF188 0.30	BZ263 0.17	MJE3055 2.00	OC36 4.00	R2009 2.25	ZTX503 0.20	2N2148 2.75
AA164 0.35	ASZ0 4.75	BC239 0.09	BF189 0.30	BZ264 0.17	MJE3055 2.00	OC36 4.00	R2009 2.25	ZTX503 0.20	2N2148 2.75
AA165 0.35	ASZ0 4.75	BC240 0.09	BF190 0.30	BZ265 0.17	MJE3055 2.00	OC36 4.00	R2009 2.25	ZTX503 0.20	2N2148 2.75
AA166 0.35	ASZ0 4.75	BC241 0.09	BF191 0.15	BZ266 0.17	MJE3055 2.00	OC36 4.00	R2009 2.25	ZTX503 0.20	2N2148 2.75
AA167 0.35	ASZ0 4.75	BC242 0.09	BF192 0.15	BZ267 0.17	MJE3055 2.00	OC36 4.00	R2009 2.25	ZTX503 0.20	2N2148 2.75
AA168 0.35	ASZ0 4.75	BC243 0.09	BF193 0.15	BZ268 0.17	MJE3055 2.00	OC36 4.00	R2009 2.25	ZTX503 0.20	2N2148 2.75
AA169 0.35	ASZ0 4.75	BC244 0.09	BF194 0.15	BZ269 0.17	MJE3055 2.00	OC36 4.00	R2009 2.25	ZTX503 0.20	2N2148 2.75
AA170 0.35	ASZ0 4.75	BC245 0.09	BF195 0.15	BZ270 0.17	MJE3055 2.00	OC36 4.00	R2009 2.25	ZTX503 0.20	2N2148 2.75
AA171 0.35	ASZ0 4.75	BC246 0.09	BF196 0.15	BZ271 0.17	MJE3055 2.00	OC36 4.00	R2009 2.25	ZTX503 0.20	2N2148 2.75
AA172 0.35	ASZ0 4.75	BC247 0.09	BF197 0.15	BZ272 0.17	MJE3055 2.00	OC36 4.00	R2009 2.25	ZTX503 0.20	2N2148 2.75
AA173 0.35	ASZ0 4.75	BC248 0.09	BF198 0.15	BZ273 0.17	MJE3055 2.00	OC36 4.00	R2009 2.25	ZTX503 0.20	2N2148 2.75
AA174 0.35	ASZ0 4.75	BC249 0.09	BF199 0.15	BZ274 0.17	MJE3055 2.00	OC36 4.00	R2009 2.25	ZTX503 0.20	2N2148 2.75
AA175 0.35	ASZ0 4.75	BC250 0.09	BF200 0.33	BZ275 0.17	MJE3055 2.00	OC36 4.00	R2009 2.25	ZTX503 0.20	2N2148 2.75
AA176 0.35	ASZ0 4.75	BC251 0.09	BF201 0.33	BZ276 0.17	MJE3055 2.00	OC36 4.00	R2009 2.25	ZTX503 0.20	2N2148 2.75
AA177 0.35	ASZ0 4.75	BC252 0.09	BF202 0.33	BZ277 0.17	MJE3055 2.00	OC36 4.00	R2009 2.25	ZTX503 0.20	2N2148 2.75
AA178 0.35	ASZ0 4.75	BC253 0.09	BF203 0.33	BZ278 0.17	MJE3055 2.00	OC36 4.00	R2009 2.25	ZTX503 0.20	2N2148 2.75
AA179 0.35	ASZ0 4.75	BC254 0.09	BF204 0.33	BZ279 0.17	MJE3055 2.00	OC36 4.00	R2009 2.25	ZTX503 0.20	2N2148 2.75
AA180 0.35	ASZ0 4.75	BC255 0.09	BF205 0.33	BZ280 0.17	MJE3055 2.00	OC36 4.00	R2009 2.25	ZTX503 0.20	2N2148 2.75
AA181 0.35	ASZ0 4.75	BC256 0.09	BF206 0.33	BZ281 0.17	MJE3055 2.00	OC36 4.00	R2009 2.25	ZTX503 0.20	2N2148 2.75
AA182 0.35	ASZ0 4.75	BC257 0.09	BF207 0.33	BZ282 0.17	MJE3055 2.00	OC36 4.00	R2009 2.25	ZTX503 0.20	2N2148 2.75
AA183 0.35	ASZ0 4.75	BC258 0.09	BF208 0.33	BZ283 0.17	MJE3055 2.00	OC36 4.00	R2009 2.25	ZTX503 0.20	2N2148 2.75
AA184 0.35	ASZ0 4.75	BC259 0.09	BF209 0.33	BZ284 0.17	MJE3055 2.00	OC36 4.00	R2009 2.25	ZTX503 0.20	2N2148 2.75
AA185 0.35	ASZ0 4.75	BC260 0.09	BF210 0.33	BZ285 0.17	MJE3055 2.00	OC36 4.00	R2009 2.25	ZTX503 0.20	2N2148 2.75
AA186 0.35	ASZ0 4.75	BC261 0.09	BF211 0.33	BZ286 0.17	MJE3055 2.00	OC36 4.00	R2009 2.25	ZTX503 0.20	2N2148 2.75
AA187 0.35	ASZ0 4.75	BC262 0.09	BF212 0.33	BZ287 0.17	MJE3055 2.00	OC36 4.00	R2009 2.25	ZTX503 0.20	2N2148 2.75
AA188 0.35	ASZ0 4.75	BC263 0.09	BF213 0.33	BZ288 0.17	MJE3055 2.00	OC36 4.00	R2009 2.25	ZTX503 0.20	2N2148 2.75
AA189 0.35	ASZ0 4.75	BC264 0.09	BF214 0.33	BZ289 0.17	MJE3055 2.00	OC36 4.00	R2009 2.25	ZTX503 0.20	2N2148 2.75
AA190 0.35	ASZ0 4.75	BC265 0.09	BF215 0.33	BZ290 0.17	MJE3055 2.00	OC36 4.00	R2009 2.25	ZTX503 0.20	2N2148 2.75
AA191 0.35	ASZ0 4.75	BC266 0.09	BF216 0.33	BZ291 0.17	MJE3055 2.00	OC36 4.00	R2009 2.25	ZTX503 0.20	2N2148 2.75
AA192 0.35	ASZ0 4.75	BC267 0.09	BF217 0.33	BZ292 0.17	MJE3055 2.00	OC36 4.00	R2009 2.25	ZTX503 0.20	2N2148 2.75
AA193 0.35	ASZ0 4.75	BC268 0.09	BF218 0.33	BZ293 0.17	MJE3055 2.00	OC36 4.00	R2009 2.25	ZTX503 0.20	2N2148 2.75
AA194 0.35	ASZ0 4.75	BC269 0.09	BF219 0.33	BZ294 0.17	MJE3055 2.00	OC36 4.00	R2009 2.25	ZTX503 0.20	2N2148 2.75
AA195 0.35	ASZ0 4.75	BC270 0.09	BF220 0.33	BZ295 0.17	MJE3055 2.00	OC36 4.00	R2009 2.25	ZTX503 0.20	2N2148 2.75
AA196 0.35	ASZ0 4.75	BC271 0.09	BF221 0.33	BZ296 0.17	MJE3055 2.00	OC36 4.00	R2009 2.25	ZTX503 0.20	2N2148 2.75
AA197 0.35	ASZ0 4.75	BC272 0.09	BF222 0.33	BZ297 0					

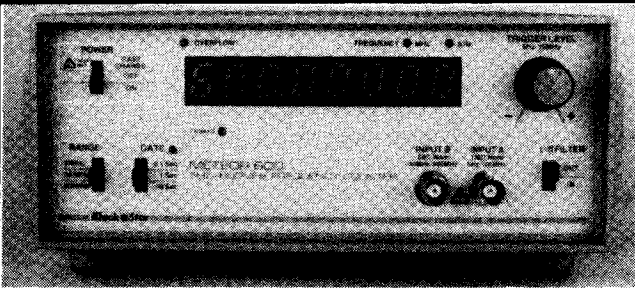
COUNTER-TIMERS



THE NEW APOLLO SERIES OF
MULTI-FUNCTION COUNTER-TIMERS.
ALSO AVAILABLE WITH T.C.X.O.

- 4 models
- Frequency DC - 100MHz
- Period, totalise, ratio, time interval, stop watch, RPM
- Full signal conditioning
- Low pass filter
- Resolution to 0.001Hz
- Frequency multiplier
- 8 digit L.E.D. display
- From £219 (+ VAT)

FREQUENCY COUNTERS METEOR SERIES 5Hz - 1.8GH



- 8 models
- 2Hz - 1800MHz
- Resolution to 0.1Hz
- Battery/mains
- Low pass filter
- From £99 (+ VAT)

FUNCTION GENERATOR JUPITER 500 0.1Hz - 500kHz



- Sine, square, triangle, TTL
- Variable DC offset
- ±30V pk/pk
- External AM and sweep
- Short circuit protection
- £110 (+ VAT)

Write or call for colour technical leaflet and prices:

Black Star

BLACK STAR LTD
4 Stephenson Road, St.Ives, Huntingdon,
Cams. PE17 4WJ, ENGLAND.
Tel: (0480) 62440 Telex: 32762

Designed and
manufactured in
Britain



CIRCLE 20 FOR FURTHER DETAILS.



VICCOM MODEM (UNIVERSAL)
For all computers such as:
IBM, Apple, BBC, Commodore,
spectrum etc.....£110.00

OPTIONS

- ☆ RS 232 interface cable (F) for IBM PC.....£8.00
- ☆ RS 232 interface cable (M) for Apple II.....£8.00
- ☆ Interface cable for BBC.....£5.60
- ☆ Interface cable for spectrum (with interface I).....£6.70

VICCOM MODEM.....£79.00
For CBM-64 or other Commodore computers with user-port, and for the SPECTRUM.

- ☆ Work with most Viewdata Softwares and VIP Terminal Program (CBM-64)
- ☆ Expandable with a power unit for other computers.
- ☆ CBM-64/VICCOM INTERFACE CABLE.....£8.00
- ☆ SPECTRUM/VICCOM INTERFACE CARD & CABLE, AND TERMINAL/VIEWDATA SOFTWARE.....£20.00
- ☆ POWER UNIT.....£26.00

OPTION
Auto answer/auto dial card (This card works with VIP Terminal Program for CBM-64 and the videotex host softwares).....£35.00

- ☆ 6 months guarantee
- ☆ Approved by PTT (Dutch Telephone Company)
- ☆ Modems for use in the U.K. should be approved by British Telecom

☆ DEALERS REQUESTED

EUROPEAN CCITT STANDARD

- CCITT V.21 ORI. 300 BD F. Duplex
- CCITT V.21 ANS. 300 BD F. Duplex
- CCITT V.23 600 BD H. Duplex
- CCITT V.23 1200 BD H. Duplex
- CCITT V.23 75/1200 BD F. Duplex (Videotex-Viditel, Prestel)
- CCITT V.23 1200/75 BD F. Duplex (Videotex/viewdata Host)

USA BELL STANDARD

- Bell 103 ORI. 300 BD F. Duplex
- Bell 103 ANS. 300 BD F. Duplex
- Bell 202 1200 BD H. Duplex

VIDEOTEX/VIEWDATA
Telecommunication softwares:

- ☆ Top Spectrum£16.00
- ☆ For CBM 64.....£25.00
- ☆ For BBC.....£39.00
- ☆ For IBM PC.....£75.00
- ☆ For bullet, Morrow MD11, Northstar advantage.....£70.00

VIDEOTEX/VIEWDATA
Host Softwares:

- ☆ Datatel for CBM 64.....£75.00
- ☆ Poseidon for BBC.....£170.00

Note: these softwares work with AUTO ANSWER/DIAL CARD

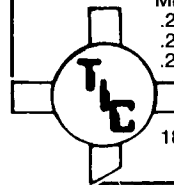
COMPUTER SOURCE
BRAHMSLAAN 129
2625 BV DELFT
HOLLAND,
TEL 015-613195

CIRCLE 72 FOR FURTHER DETAILS.

RF POWER

U.S. supplier of RF POWER DEVICES.
Prices LOWER than current domestic prices.
Query us for immediate needs.

A quality source for a complete range of RF POWER devices - From 2-30MHz, SSB 12.5V 7 28V transistors - 14-30 MHz CB/AMATEUR 27-50 MHz, low band FM - 66 - 88MHz, mid band FM - 66 - 88MHz, mid band FM - 156 - 162MHz VHF MARINE RADIO FM - 130 - 175MHz HI-BAND VHF FM - 108-152MHz VHF AIRCRAFT AM - 225 40MHz UHF 28V - 407 - 512 UHF CATV/MATV CLASS A linear transistors - A SMALL indication of types are listed below. SEND FOR OUR FREE BROCHURE AND/OR CONTACT FOR IMMEDIATE QUOTES.



MRF450 MRF453 MRF646 BLY88A BLY90 BLY93A
.2N3553 .2N4933 .2N5109 .2N3375 .2N5016 .2N5589
.2N4128 .2N5070 .2N5591 .2N6080 .2N4427 .2N5090
.2N5634 .2N6083 .2N4431 .2N5102 .2N5918 .2N6084

TIC Semiconductor Inc.

18 WEST 21st STREET NEW YORK, N.Y. 10010 U.S.A.
TEL: (212) - 675 6722 TELEX: 284564 TICS UR

CIRCLE 8 FOR FURTHER DETAILS.

SATELLITE TELEVISION

Buy direct from the manufacturers, low cost full band satellite TV systems.
Write or telephone for details, or call in at our factory showroom.

Agents and Distributors required.

NETWORK SATELLITE SYSTEMS LTD

Units 7-8

Newburn Bridge Industrial Estate
Hartlepool, Cleveland TS25 1UB

Tel: 0429 869366

CIRCLE 47 FOR FURTHER DETAILS.



Semi-automatic pick-and-place for surface mounting

Printed circuits using surface-mounted devices can be assembled using the component placing workstation from Blakell-Parfitt. It uses a light projector to indicate the spot on the board where the next component is to be placed and has an automatic component dispenser to present that component.

The p.c.b. is mounted on an x-y table so that the component mounting position always falls in the same place. Substrates up to 250mm square can be handled by the machine in its standard form. Optional modifications accommodate larger boards.

The delivery system consists of a vertical magazine with a conveyor system to present the selected component close to the operators hand. This magazine can handle up to 270 different loose components, allowing it to be used with very complex p.c.bs. Passive components on tape reels can also be coped with. Components can be picked up and mounted using a vacuum pen or tweezers. The system can be configured to suit both right and left-handed operators. A s.m.c. station can be combined with an assembly

station for conventional through-mounted components as there are p.c.bs manufactured which use both types.

The control for the optical guidance beam is programmable to give component size, shape, position and polarity. A separate information screen displays the component type and value. Programming is performed off-line on a separate programming station, though a future option will be to program the system through the station's own computer. Programming consists of building a file of x-y

coordinates complete with the component's position and polarity and matching this with the component's number. The c.r.t. display can be programmed to display comments and special instructions as well as the component details. Programs are stored and loaded through a disc drive, while the component dispensers are loaded with the appropriate components. The program is stepped through by operating a foot switch or push button.

Blakell-Parfitt Systems Ltd, Blandford Heights, Blandford Forum, Dorset DT11 7TE.
EWW 220

What is a silicon compiler?

Perhaps the answer to the question is best provided by a specific example. The Spirit integrated circuit designer which is produced in Holland by ICD, but is the result of multi-national European consortium, the British contribution being provided by BT Research Laboratories, Martlesham.

Spirit is a design environment which enables the production of

a hierarchical design database. Every level in the hierarchy can be available to the user at the touch of a finger on the keyboard.

The system covers the four aspects of i.c. design: function, structure, geometry and testability.

The floorplanner which defines the area and main sections of an i.c. is the gateway

to all the other design levels. This controls all the versions of a chip and is part of the core database management. Each member of the consortium has a degree of freedom so that there is some overlap in design tools. This is beneficial for the user as it can cater for different approaches to the design process. The system can be selected from a wide range of program modules.

It is possible to design a circuit from the inside-out (from the specific detail to the whole device) or from the outside-in (from the device to the detail). It allows the user to build a library of sub-assemblies (macro-cells). Specific portions of the circuit may be positioned manually or automatically with automatic routing of the connections between them. A module generator can define quite a complex structure by just defining some parameters. Combined, the floor planner, placers, routers, component and macro library and the module generator form a powerful system that can provide a fast design time.

The flexibility of the system is based on the completely hierarchical program and systems architecture. It is fully portable between process technologies and layout styles and also between design environments. The system also generates project information and documentation.

The system is still being developed further and will include micron and sub-micron architecture, and the development of special-purpose tools, e.g. for the design of parallel processors. Existing c.a.d. standards are adhered to, where they exist, in c.a.d. tools and in data exchange.

Spirit has been developed under Unix and will run on any computer that has Unix compatible with the AT&T system V, has a minimum of 2MB of main memory and 55 to 80MB of external store with an 8-bit plane colour graphics device. The software currently runs on HP-9000/500 and 320, VAX, Sel, Gould, Geminix, Masscomp and PCS computers. It is to be distributed by hardware suppliers but details can be obtained directly from ICD, PO Box 3132, 7500 DC Enschede, The Netherlands.
EWW 215

Forth on a chip

Amidst all this talk of computer-aided design it may be interesting to meet an actual product; a chip using such state-of-the-art technology. An example is the Novix NC4000, a processor that uses high-level language Forth as its operating code.

In most processors, machine-code instructions are decoded which subsequently invoke internal microcode instructions. These actually control the silicon components. In the NC4000 however, bit patterns within each opcode control directly the processor's components. As a result, each instruction is executed in a single clock cycle. The elimination of machine-code instructions and internal microcodes leads to a very high speed. Forth works as a series of nested subroutines and the NC4000 can call a subroutine in each clock cycle, and through parallel processing, requires no clock time to return.

The chip is a 4000-gate c-mos array which can execute between four and 40 million Forth operations per second (mifops!). In a typical application, 12 mifops is the norm. To give this some perspective, it has a seventeenth of the gate-count of a 68000 processor but eleven times the processing power. It can run Forth code 20 times as fast. Because of its concurrent operation, the device has simultaneous access to the return stack, data stack, main memory, and i/o bus.

The NC4000 is a 16-bit processor. It executes most Forth instructions in a single cycle, 125ns. For nested Forth words it only takes one cycle to go to the subroutine and zero time to return. By comparison 'Call' and 'Return' take 27 cycles on a 80186. Mathematical functions (multiply, divide, square root) take one cycle/step.

The combined input/output ports are 21 bits wide. It supports a 16k-word memory, or 4Mbytes using the address extension port.

The development system for the NC4000 is called the Beta board. It is almost all c-mos, drawing only 600mA. On the board are: the Novix c.p.u.; 56KB of static ram; 8K of stack

memory; an 8K rom containing PolyForth, the programming language which runs the system; two serial ports; two expansion sockets giving access to all address, data and i/o lines. The Beta board can be linked through one of the serial ports to an IBM PC or an Apricot, which acts as a v.d.u. and a disc peripheral. All the software for the interactive development of the system is on the Beta board. The PC is used purely as a convenient disc sub-system.

At a recent demonstration of the system a small p.c.b. was prepared with analogue and digital interfaces. It was used to make a real-time digital audio pre-amplifier. The microphone input was processed and passed to an output amplifier. Simple Forth control words were used to alter the volume. The signals are also fed into a buffer and by adding data from earlier in the buffer it was possible to provide an echo. More complex control operations provided reverberation and pitch



transformation. All in real time. In the most complex of the operations the 6MHz Novix took 38 μ s to perform 194 steps in the transformation and maintained a sampling rate of better than 20KHz.

The Beta board, complete with software on MS-DOS compatible discs, costs £3,800

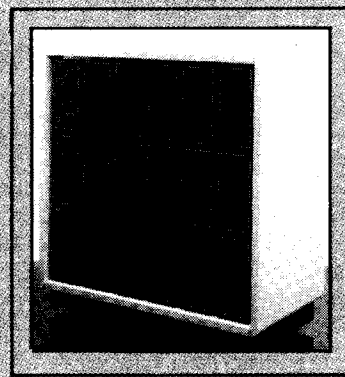
which includes a licence to produce closed rom-driven systems. Novix NC4000 has been developed under the aegis of Forth Inc, the company formed by the inventors of Forth. It is available in the UK through Computer Solutions Ltd, 1 Cogmore Lane, Chertsey, Surrey KT16 9AP. EWW 221

High-level fault simulation

Zycad has developed a concurrent fault-simulation engine known as the Fault Evaluator which provides fault grading on v.l.s.i. circuits and system designs. It enables design engineers to develop chips and systems that are fully tested, as well as helping them to design more effective test programs. The system also permits full exercising of logic designs, revealing untestable or redundant portions of a circuit or system, at the design stage.

The Fault evaluator achieves its high performance by the use of a concurrent fault-simulation algorithm implemented in hardware. This allows fault simulation to be performed hundreds of times faster than is possible with conventional software-based fault simulators — typically in seconds rather than hours. Another benefit is that it allows the implementation of "design-for-test" facilities which can improve the reliability of the manufacturing process, increasing yields, and reducing returns and service calls.

The Evaluator has a capacity of up to 256 000 modelling elements, which cover the



whole spectrum of circuit design requirements including rams, roms, programmable logic arrays; uni-directional, bidirectional or wired modelling elements; zero, connect and gate rise and fall delays; flip-flops and latches; and defined combinational gates. The Fault Evaluator is compatible with other Zycad products and supports the Zylos input language and output displays. It is available as a stand-alone fault-simulation engine or a field upgrade to the Zycad Logic Evaluator, providing logic simulation and fault simulation within the same unit. Zycad UK Ltd, PO Box 108, Woking, Surrey GU24 9SQ. EWW 219

Gate-array packaging

Gate-array single or multi-chip assemblies, ruggedized to military specification can be obtained from Teledyne through MeTL of Oxford. This forms part of Teledyne's logic and analogue array design and packaging service. The new facility can be applied to new projects and also to re-design of existing products.

Customers interested in the service can choose the level at which they wish to involve themselves in the project. Teledyne could complete an entire design project from a customer's circuit diagram and test pattern, or the client can direct the design process at any stage. The customer retains complete access to all software generated and to all steps in the development process. Final packaging can be provided in any form that may be desired. Teledyne specializes in the more complex multi-chip configurations where there is the most saving of space. Information from MeTL Ltd, Unit 2, Great Haseley Trading Estate, Great Haseley, Oxon OX9 7PF. EWW 216

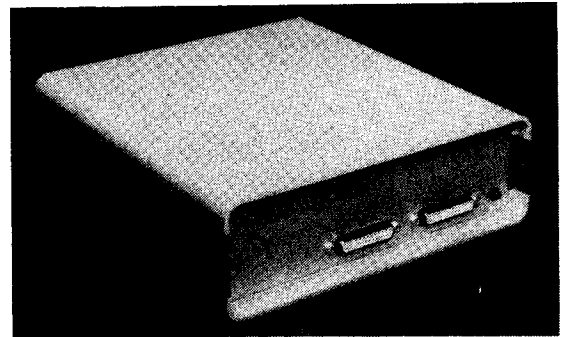
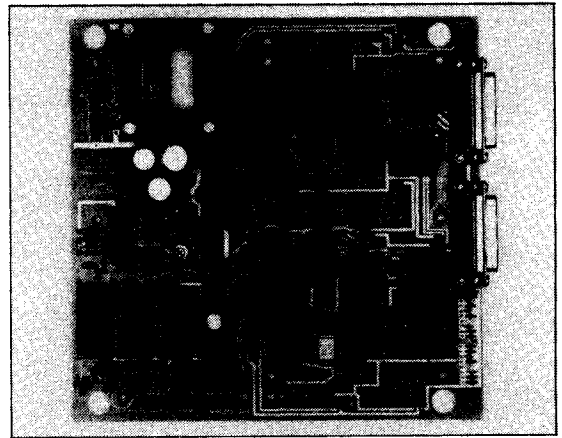
The Archer Z80 SBC

The **SDS ARCHER** — The Z80 based single board computer chosen by professionals and OEM users.

- ★ High quality double sided plated through PCB
- ★ 4 Byte-wide memory sockets — upto 64k
- ★ Power-fail and watchdog timer circuits
- ★ 2 Serial ports with full flow control
- ★ 4 Parallel ports with handshaking
- ★ Bus expansion connector
- ★ CMOS battery back-up
- ★ Counter-timer chip
- ★ 4 MHz. Z80A

OPTIONS:

- ★ SDS BASIC with ROMable autostarting user code
- ★ The powerful 8k byte SDS DEBUG MONITOR
- ★ On board 120 / 240 volt MAINS POWER SUPPLY
- ★ Attractive INSTRUMENT CASE — see photo.
- ★ 64k / 128k byte DYNAMIC RAM card
- ★ 4 socket RAM — ROM EXPANSION card
- ★ DISC INTERFACE card



Sherwood Data Systems Ltd

Sherwood House, The Avenue, Farnham Common, Slough SL2 3JX. Tel. 02814-5067

CIRCLE 44 FOR FURTHER DETAILS.

You can depend on

ELECTROVALUE

for your supplies of
world famous
QUALITY
COMPONENTS
by

SIEMENS

and other
leading
names


**52 PAGE
FREE CATALOGUE**
Write, phone or call

- Priced & illustrated
- Over 8000 items
- Real discounts
- Prompt despatch

- I.Cs
- semi conductors
- capacitors
- inductors
- ferrites
- connectors

ELECTROVALUE LTD 28 St. Jude's Road, Englefield Green, Egham,
Surrey TW20 0HB Phone Egham (0784) 33603. Telex 264475
North Branch, 680 Burnage Lane, Manchester M19 1NA
Telephone 061 432 4945
Please mention this publication when replying

BRITAINS FOREMOST QUALITY COMPONENT SUPPLIERS
CIRCLE 9 FOR FURTHER DETAILS.



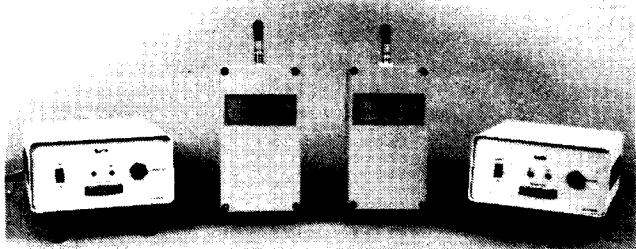
MICROPROCESSOR BASED DESIGN
ELECTRONIC EQUIPMENT MANUFACTURE

SIMPLEX

SurTel

HALF DUPLEX

UHF RADIO TELEMTRY



HOME OFFICE APPROVAL TO MPT 1309

SurTel is a cost effective radio transmission system operating in the 458 MHz band. Thirteen channels are available for transmitting and receiving serial data at 1200 Baud in either simplex or half-duplex mode. Input/output is RS 232/423 compatible and the units operate from 12 volts D.C.

Uses include data transmission between computers or peripherals; linking instrumentation; remote monitoring or control; security; warehouse management. Do away with expensive and troublesome land lines.

Contact us today for more information regarding data transmission by radio.

— LINK COMPUTER/COMPUTER/PERIPHERAL/INSTRUMENTATION —
— COST EFFECTIVE UHF RADIO MODEM —

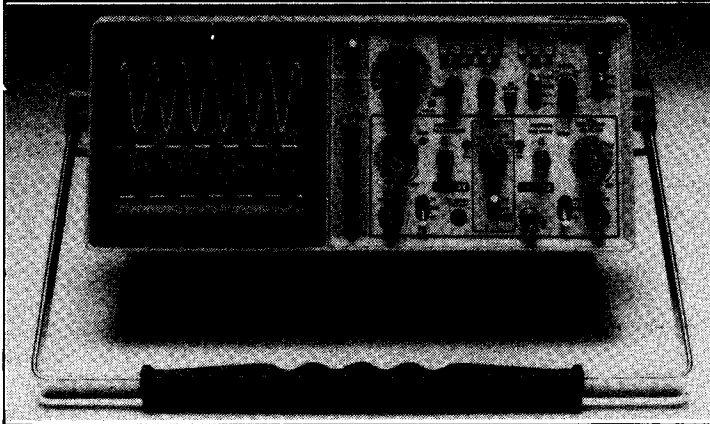
MICROMAKE ELECTRONICS
1 THE HOLT, HARE HATCH, UPPER WARGRAVE, BERKS RG10 9TG
TEL: 073522 3255 TLX: 849462 TELFAC G FAX: 0628 74928

CIRCLE 54 FOR FURTHER DETAILS.



Hitachi Oscilloscopes

the highest quality from **£299**
the most competitive prices +VAT



Hitachi Oscilloscopes provide the quality and performance that you'd expect from such a famous name, with a newly-extended 14 model range that represents the best value for money available anywhere.

V-212/222	20MHz Dual Trace	V-650	60MHz Dual Timebase
V-223	20MHz Sweep Delay (illustrated)	V-1050	100MHz Quad Trace
V-209	20MHz Mini-Portable	V-1070	100MHz Four Channel
V-422	40MHz Dual Trace	V-1100	100MHz DMM/Counter
V-423	40MHz Sweep Delay	V-134	10MHz Tube Storage
V-509	50MHz Mini-Portable	VC-6015	10MHz Digital Storage
		VC-6041	40MHz Digital Storage

Prices start at £299 plus vat (20MHz dual trace) including a 2yr. warranty. **We hold the range in stock for immediate delivery.**

For colour brochure giving specifications and prices ring (0480) 63570
Thurlby-Reltech, 46 High Street, Solihull, W. Midlands, B91 3TB.

CIRCLE 68 FOR FURTHER DETAILS.

Add 8 channels to your 'scope New Thurlby OM358 multiplexer £179+vat

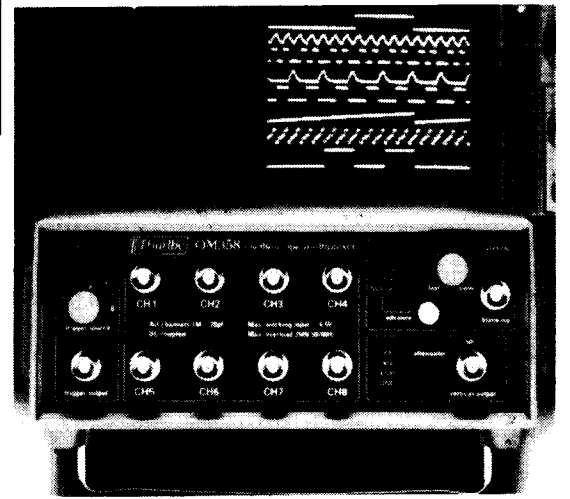
The Thurlby OM358 gives any oscilloscope an 8 channel display. Observing many waveforms simultaneously can be essential when analysing sophisticated equipment. Application areas include microprocessor based products, data transmission systems, A to D converters, frequency synthesizers etc.

The OM358 is ideal for digital equipment (it can often solve problems that would otherwise need a fast logic analyser) but, unlike dedicated logic test instruments, it is equally suited to analogue waveforms.

The OM358 has a bandwidth of 35MHz and 3% calibration accuracy. Each input has an impedance of 1MΩ - 20pF and accepts signals up to ±6V. An 8 channel, 4 channel, or single channel display can be selected with triggering from any channel. *Colour data sheet with full specifications available.*

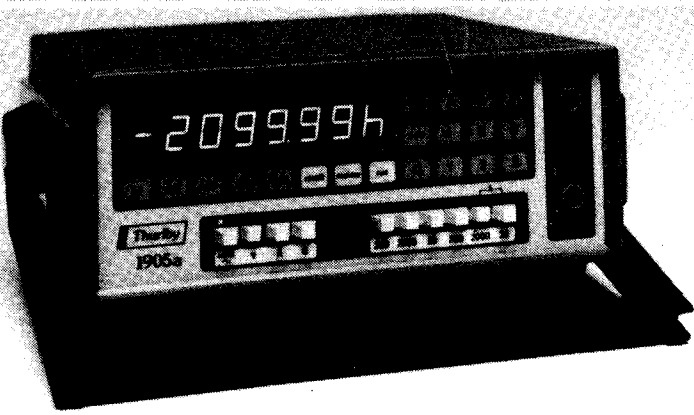


Thurlby Electronics Ltd
New Road, St. Ives, Cambs.
PE17 4BG Tel: (0480) 63570



CIRCLE 69 FOR FURTHER DETAILS.

The world's most advanced low-cost bench multimeter!



Thurlby 1905a £349 + VAT

A complete high performance bench DMM

● 5½ digits; 0.015% acc; 1 μV, 1mΩ, 1nA.

● Full ac and current functions as standard

A sophisticated computing and logging DMM

● Linear scaling with offset; null/relative

● Percentage deviation; running average

● dBV, dBm general logarithmic calculations

● Limits comparison; min and max storage

● 100 reading timed data logging

● RS232 and IEEE-488 interface options

Thurlby Electronics Ltd
New Road, St. Ives, Cambs. PE17 4BG
Tel: (0480) 63570



CIRCLE 70 FOR FURTHER DETAILS.

Now Thurlby makes logic analysis affordable! from

the new Thurlby LA-160 £395 +vat



Now with microprocessor
disassembly!

- 16 channels, expands to 32
- 2K word acquisition memory
- Clock rates up to 20MHz
- Non-volatile reference memory
- State and timing displays
- Search and compare facilities
- Selectable display formats
- Hard-copy data print-out

An oscilloscope and logic probe are not enough to unravel the complexities of today's electronic equipment. A logic analyser is as essential for observing digital signals as an oscilloscope is for observing analogue signals, and now Thurlby puts one within every engineer's reach. Contact us now and get the full technical data.



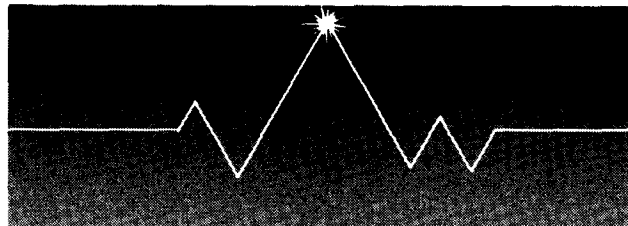
Thurlby Electronics Ltd
New Road, St. Ives, Huntingdon,
Cambs. PE17 4BG, England. Tel: (0480) 63570

CIRCLE 71 FOR FURTHER DETAILS.

TRANSFORMERS EX-STOCK

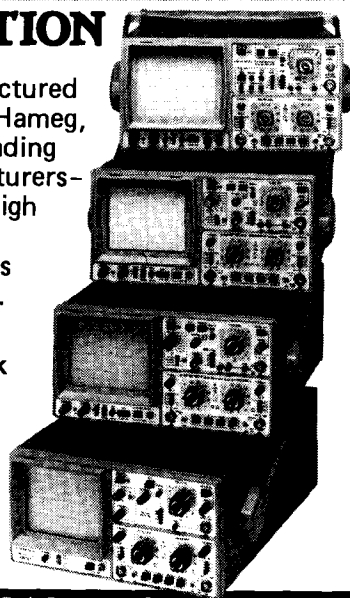
MAINS ISOLATORS				50/25V or 25.0/25V				30/15V or 15.0/15V				12/24V DC to 240V AC							
VA	Price	P&P		2x25V Tap Secs	Volts available	5, 7, 8, 10, 13, 15, 17, 20, 25, 30, 33, 40.	2x15V Tap Secs	Volts available	3, 4, 5, 6, 8, 9, 10, 12, 15, 18, 20, 24, 25, 27, 30 or 15.0-15V	100W	£65.95	250W	£208.00						
*20	8.11	1.70		20-0-20 or 25-0-25V			30V	15V	Price P&P	500W	£301.00	1000W	£424.00						
40	9.96	1.89		50V	25V	P&P	0.5	1	3.95	2000W	£636.00	4000W	£1215.20						
100	11.83	2.10	0.5	1	4.34	1.47	1	1	3.95	CONSTANT VOLTAGE TRANSFORMERS 1% Spike-free stable mains									
200	16.47	2.36	1	2	5.28	1.50	1	2	4.54	250VA	£158.00/4A	500VA	£201.93						
250	19.92	2.77	2	A	4	9.12	1.94	2	4	7.34	1KVA	£380.50	2KVA	£590.95					
350	24.64	2.84	3	M	6	10.97	1.96	3	6	8.50	3KVA	£951.05	4KVA	£1173.00					
500	30.69	3.10	4	P	8	14.80	2.22	4	A	8	10.15	5KVA	£1470.00						
1000	55.85	4.70	6	S	12	18.91	2.30	5	M	10	12.55	6KVA	£1697.75						
1500	71.79	5.95	8	16	26.75	2.86	6	P	12	14.20	2.30	10KVA	£3480.00						
2000	86.38	6.35	10	20	31.74	2.20	8	S	16	19.00	2.36	AUTOS							
3000	121.12	0A	12	24	37.99	3.36	10	20	21.92	2.46	AVOs & MEGGERS								
6000	258.77	0A					12	24	24.36	2.63	8 MK6 (latest)	£152.50							
*115 or 240V sec only.				60/30V or 30-0-30V				105, 115, 220, 230, 240V				For step-up or down							
400/440 to 200/240 CT (60-1000VA Tap Secs)				Pri 2x120V, 2x30V Tap Secs. Volts available				24, 30, 36, 40, 48, 60, 24-0-24 or 30-0-30V				VA Price P&P							
60	9.98	1.90		6, 8, 10, 12, 15, 18, 20, 24, 30, 36, 40, 48, 60.			80	5.08	1.49	150	7.36	1.69	250	8.96	1.76				
100	11.88	2.10		60V	30V	Price P&P	1	1	7.51	1.60	250	8.96	1.76	500	13.96	2.34			
200	16.47	2.36	0.5	1	4.93	1.58	150	7.36	1.69	500	13.96	2.34	1000	24.93	2.90				
250	19.92	2.52	1	2	7.51	1.60	150	7.36	1.69	1500	29.58	3.35	2000	44.34	4.20				
350	24.64	2.84	2	A	6	9.66	2.00	500	13.96	2.30	3000	75.22	5.10	3000	75.22	5.10			
500	30.69	3.10	3	M	8	13.96	2.10	1000	24.93	2.90	5000	113.11	0A	5000	113.11	0A			
1000	55.85	4.70	4	P	10	15.91	2.31	1500	29.58	3.35	10KVA	207.89	0A	10KVA	207.89	0A			
2000	86.38	5.50	6	S	12	20.11	2.36	2000	44.34	4.20	CAGED AUTOS								
3000	121.14	0A	8	16	32.26	3.20	3000	75.22	5.10	240V Cable Input									
6000	258.77	0A	10	20	37.55	3.47	5000	113.11	0A	115V USA socket outlets	VA	Price P&P							
24/12V or 12-0-12V				2x12V Secs. pri. 240V				12				24	43.28	3.68	10KVA	207.89	0A		
12V	24V	Price P&P		MINIATURES				115V USA socket outlets				240V Cable Input							
0.3A	15	2.53	9.0	1	0.5	3.45	1.30	1	0.5	3.45	1.30	1	0.5	3.45	1.30	1	0.5	3.45	1.30
2	1	4.46	1.36	Sec V	Amp	Price P&P		1	0.5	3.45	1.30	1	0.5	3.45	1.30	1	0.5	3.45	1.30
4	2	5.15	1.70	6-2	1A-2	3.12	1.30	20	7.57	1.59	20	7.57	1.59	20	7.57	1.59	20	7.57	1.59
6	A	8.07	1.76	0-9	0.1	2.72	0.96	80	9.81	1.69	80	9.81	1.69	80	9.81	1.69	80	9.81	1.69
8	M	9.43	1.82	9-2	0.33-2	2.53	0.96	150	12.70	1.99	150	12.70	1.99	150	12.70	1.99	150	12.70	1.99
10	P	10.31	2.05	8-2	5-2	3.53	1.30	250	15.47	2.28	250	15.47	2.28	250	15.47	2.28	250	15.47	2.28
12	S	11.43	2.15	8-2	1A-2	4.48	2.31	500	25.38	2.90	500	25.38	2.90	500	25.38	2.90	500	25.38	2.90
16	8	13.62	2.33	12-0-12	0.5	3.11	0.96	1000	39.43	3.97	1000	39.43	3.97	1000	39.43	3.97	1000	39.43	3.97
20	10	18.33	2.66	20-2	15-2	3.55	1.30	2000	63.49	4.76	2000	63.49	4.76	2000	63.49	4.76	2000	63.49	4.76
30	15	22.79	2.85	15-2x2	5	5.88	1.70	3000	91.14	0A	3000	91.14	0A	3000	91.14	0A	3000	91.14	0A
60	30	46.67	4.50	15-2x2	1A	7.66	2.66	SPECIAL				ALSO VARIABLE AUTOS							
83	41	53.76	5.50	0CT-15V 4A	2.28	1.08	0, 210, 240V PRIMARY				PLEASE ADD 15% VAT TO ALL ITEMS AFTER P&P								
96/48V. Pri 2x120V				Secs 2x36/48V				60, 72, 84, 96, 360-0-36 or 48-0-48V				14, 8, 0, 8, 14V SEC							
72/36 36/48V Price P&P				Stock items by return				WINDING SERVICES				20VA £3.45 .75pp.							
1	2	9.38	1.52	3VA to 15KVA 1 or 3 phrase Plus Toroidals				3VA to 15KVA 1 or 3 phrase Plus Toroidals											
2	A	15.42	2.31	EDUCATIONAL METERS				Finger screw terminals											
3	M	18.68	2.52	0-10A or 0-30V DC				78x89mm £3.98 each + 50p P&P											
4	P	23.84	2.60																
5	S	33.84	3.36																
6	12	42.38	3.68																
8	16	48.23	3.98																

THE PEAK...



OF PERFECTION

Designed and manufactured in West Germany by Hameg, one of the World's leading oscilloscope manufacturers - a complete range of high instrument-standard oscilloscopes, at prices that defy comparison.



Make the comparison and discover the 'Peak of Perfection'.

HM208 £1300 (£1550 with IEEE)

20 MHz Digital Storage
 Outstanding 20 MHz max. sampling rate . 4 x 1k Memory . 8bit vert. resolution . Digital Timebase from 50 s/div. to 10µs/div. . Stores XY-Operation . Single/Refresh/Roll Mode . Analogue Output . IEEE-Bus optional . Sensitivity 1mV/div. - 20V/div.

HM605 £ 515

60 MHz Dual Trace
 Sensitivity 5 mV/div. at 60 MHz, 1mV at 5 MHz . Automatic peak-value or normal triggering to 80 MHz . Delay Line Variable Sweep Delay . Timebase from 2.5s/div. to max. 5ns/div. . Unique fast-risetime 1 kHz/1 MHz calibrator . Y-Output . High-resolution 15 kV CRT

HM204 £ 365

20 MHz Dual Trace
 Sensitivity 5mV - 20V/div., 1 mV at 5 MHz . Timebase from 1.25s/div. to max. 10ns/div. DELAY LINE . Variable sweep delay . Single sweep . Automatic peak-value trigger to 50 MHz . Y-Output . Z-Modulation . Overscan indicator

HM203 £270

20 MHz Dual Trace
 Western Europe's best selling 20 MHz - Scope! Sensitivity 2mV/div. . Trigger bandwidth 40 MHz . Timebase from 0.2s/div. to max. 20ns/div. . X-Y . Component Tester

2 Years Warranty Prices U.K. list ex.VAT

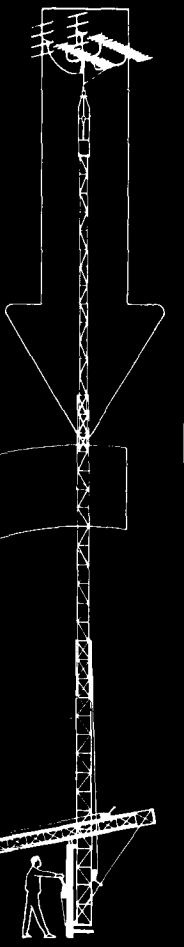
HAMEG
 FOR THOSE WHO COMPARE
 74 - 78 Collingdon St. Luton, Beds, LU1 1RX
 Tel: (0582) 413174 Telex: 825484

CIRCLE 85 FOR FURTHER DETAILS.

Versatower:

A range of telescopic towers in static and mobile models from 7.5 to 36 metres with tilt-over facility enabling all maintenance to be at ground level.

Designed in accordance with CP3 Chapter V, part 2; 1972 for a minimum wind speed of 140 kph in conditions of maximum exposure and specified by professionals world-wide where hostile environments demand the ultimate in design, quality and reliability.
 Suitable for mounting equipment in the fields of:
 Communications
 Security surveillance - CCTV
 Meteorology
 Environmental monitoring
 Geographical survey
 Defence range-finding
 Marine and aero navigation
 Floodlighting
 Airport approach lighting
 Further details available on request.

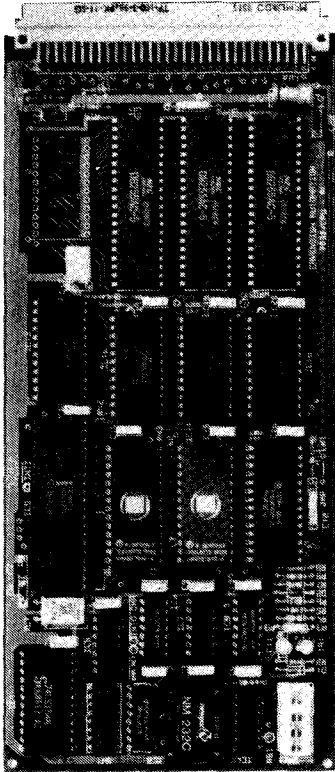


STRUMECH ENGINEERING LIMITED
 Portland House, Coppice Side, Brownhills
 Walsall, West Midlands WS8 7EX, England
 Telephone: Brownhills (0543) 374321
 Telex: 335243 SEL.G.

CIRCLE 13 FOR FURTHER DETAILS.
 ELECTRONICS & WIRELES WORLD MARCH 1986

FIRST WITH FORTH ON THE 8051 !

Complete single board computer plus support.



Based around the Intel 8051 family of advanced 8 bit microcontrollers the Cavendish Automation CPU comes complete with an effective implementation of Bryte-Forth. The low cost of the CA7032 CPU enables it to be used for both development and/or target systems. Bryte-Forth is a subset of forth 79-standard and the implementation allows user ROM based applications to be created with ease. 5 interrupts, a 24 hour Real Time clock calendar and full serial communications are all supported on card.

The Cavendish Automation 7032 CPU is just one of a complete range of Euro cards providing complete systems capability to OEMs including a wide range of drive and acquisition cards together with PSUs and backplans.

Comprehensive documentation is supplied with the CPU which requires only +5 volts and dumb terminal for operation.

© 1984 Bryte Computers Inc

CPU Card Advantages:

- 9 x 8 bit I/O ports
- Single ended +5v supply
- 24 hour Real Time clock calendar
- Table based redirect for all interrupts
- Full serial communications on card including flow control if required
- Auto start options for user definitions in ROM based applications
- 11 MHz operation as standard
- Low cost
- Customised option on low quantities

To find out more about the CA7000 series controllers contact:

Cavendish Automation Limited, 45 High Street, St Neots, Huntingdon, Cambs PE19 1BN Tel: (0480) 219457

CIRCLE 56 FOR FURTHER DETAILS.

<p>SAMSONS 9-10 Chapel Street, Marylebone London NW1 5DN 01-262 5125 & 01-723 7851 WE WILL MANUFACTURE PROTOTYPE OR PRODUCTION RUN TRANSFORMERS AT COMPETITIVE PRICES</p>		<p>15AMP ISOLATION TRANSFORMERS BY FAMOUS MAKERS These high transformers are as new and were manufactured for a top U.K. electronics company to extremely high standards. Each transformer has a large range of tappings for adjusting inputs and outputs. Size approx 37kgs. Our price £95 inc. VAT Ring For Carriage Details</p>
<p>HIGH GRADE TRANSFORMERS No 1 30.0.30v @ 4a 8v 2a £11.75 inc vat & carr. No 2 26.0.26v @ 3a 8v £10.00 inc vat & carr. No 3 22.0.22v @ 2a 8v 2a £9.00 inc vat & carr.</p>	<p>APPLE II COMPUTER BRAND NEW Purchased for a scrapped research project this computer is still in its packaging with disk drives & monitor. SPECIAL CLEARING PRICE £500.00 ring for despatch details.</p>	<p>RECHARGEABLE BATTERIES We have on offer these fantastic long life batteries which have a large variety of uses. Completely unspillable using a special jelly electrolyte. Type 1. Dryfit 12v 5.7AH. Size 3 3/4 x 6 x 2 1/2" Price £9.50 inc VAT & carr.</p>
<p>HIGH GRADE CAPACITORS No 1 22000mfd @ 63vdc 33.5a ripple current complete with mounting clip size 105mm x 65mm £4.95 inc vat & carr. No 2 22000mfd @ vdc screw terminals with single base bolt fixing £3.00 inc vat & carr.</p>	<p>TWIN 8 DISK DRIVES Brand New Magnetic Peripherals With PSU ring for details ONLY £100 inc vat & carr.</p>	<p>FANS MUFFIN 4 1/2" 110V...£4.00 WOODS 6" and 8" 240V£9.50</p>
<p>Constant Voltage Transformers By Famous Maker. 3KVA. A very sturdy unit size 270 x 240 x 500mm these units will control the mains fluctuations from -20% to +10% output 220 or 240v or -1% ONLY A FEW LEFT SPECIAL PRICE £295.00 inc vat @ carr.</p>	<p>MAGNETIC PERIPHERALS 5 1/2 DRIVES Half Height single sided forty track BRAND NEW 3 Month Guarantee. Special Price £40.00.</p>	<p>ASCO SOLENOID VALVES Fantastic value!! These valves are designed for air gas water L.T. Oil normally closed. Approx 1-2" bore ideal for central heating 240 ac our price £9.50 inc VAT & carr.</p>
<p>E.H.T. TRANSFORMERS High-grade E.H.T. Tranny. PRI 240V, sec. 10,000V, 18 M/A. Probably used for boiler ignition but with 101 other uses!!! £5 inc. carr. & VAT.</p>	<p>GOULD ADVANCE POWER SUPPLIES 0-30V 5amp Fully Regulated supply with protection. Special Offer Price. Cannot Be Repeated. £42.50 INC VAT & Carr.</p>	<p>L.T. TRANSFORMERS Parmeko Atlantic Series potted type. Pri 220-240v. Sec tapped 2-6v 1.6A and 14-42Av 1.6A. The following voltages can be obtained 2-4-6-8-12-14-28-36-40-42-44-48v @ 1.6A conservatively rated £7.50 inc VAT & carr.</p>

CIRCLE 94 FOR FURTHER DETAILS.

THE VDU ALTERNATIVE

with QWERTY or custom Keyboard

The low-cost compact Microscribe terminal range. Choose from:-

- Keyboard
Application dependent
3 Key sizes available
- Memory
Zero to 34 K RAM
- Display
1, 2 or 8 lines

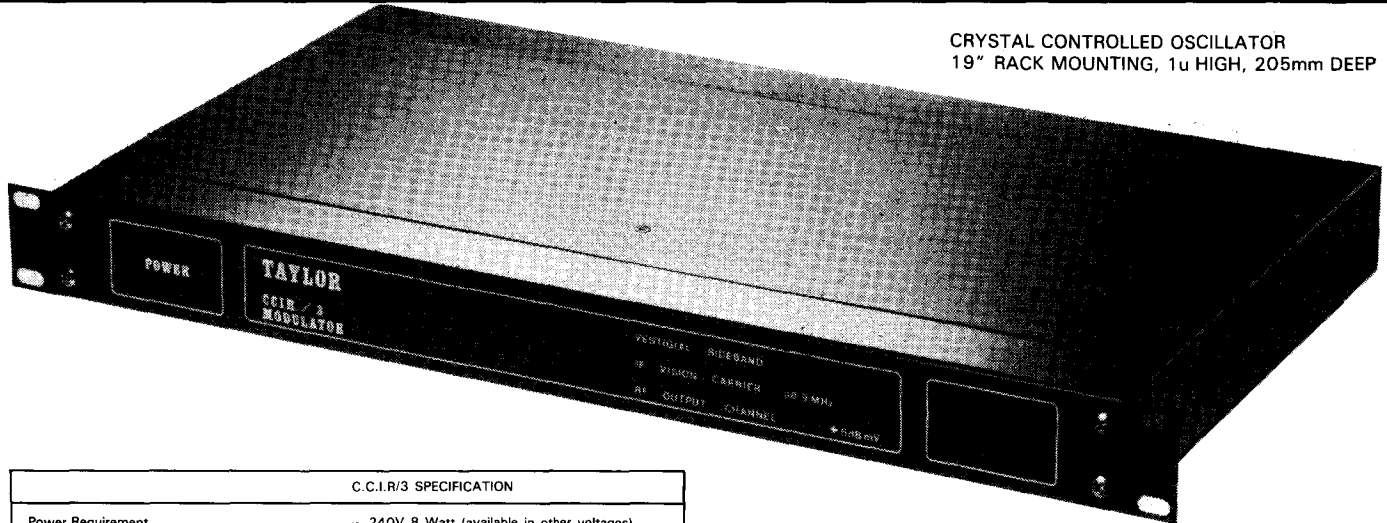
MICRO SCRIBE

Llantarnam Industrial Park
Cwmbran, Gwent,
NP44 3AX
Wales, UK
Tel: (06333) 73246
Telex: 498075 Scribe.

CIRCLE 92 FOR FURTHER DETAILS.

TAYLOR

VESTIGIAL SIDEBAND
TELEVISION MODULATOR C.C.I.R/3



CRYSTAL CONTROLLED OSCILLATOR
19" RACK MOUNTING, 1u HIGH, 205mm DEEP

C.C.I.R/3 SPECIFICATION

Power Requirement	- 240V 8 Watt (available in other voltages)
Video Input	- 1V Pk-Pk 75 Ohm
Audio Input	- .8V 600 Ohm
F.M. Sound Sub-Carrier	- 6MHz (available 5.5MHz)
Modulation	- Negative
I.F. Vision	- 38.9MHz
I.F. Sound	- 32.9MHz (available 33.4MHz)
Sound Pre-Emphasis	- 50us
Ripple on I.F. Saw Filter	- .6dB
Output (any channel 47-860MHz)	- +6dBmV (2mV) 75 Ohm
Vision to Sound Power Ratio	- 5 to 1
Intermodulation	- Equal or less than 60dB
Spurious Harmonic Output	- -40dB (80dB if fitted with TCFL1 Filter or combined via TCFL4 Combiner/Leveller

C.C.I.R./3.1 - Specification as above but output level 60dBmV 1000uv

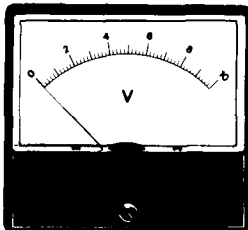
CHANNEL COMBINER/FILTER/LEVELLER
to combine outputs of modulators

TCFL2	2 Channel Filter/Combiner/Leveller. Insertion Loss 3.5dB
TCFL4	4 Channel Filter/Combiner/Leveller. Insertion Loss 3.5dB
TSKO	Enables up to 4 x TCFL2 or TCFL4 to be combined.

TAYLOR BROS (OLDHAM) LTD
BISLEY STREET WORKS, LEE STREET,
OLDHAM, ENGLAND.
TELEPHONE: 061 652 3221 TELEX: 669911

CIRCLE 91 FOR FURTHER DETAILS.

METER PROBLEMS?



137 Standard Ranges in a variety of sizes and stylings available for 10-14 days delivery. Other Ranges and special scales can be made to order.

Full Information from:
HARRIS ELECTRONICS (London)
138 GRAY'S INN ROAD, W.C.1 Phone: 01-837 7937
Telex: 892301

CIRCLE 90 FOR FURTHER DETAILS.

IN VIEW OF THE EXTREMELY RAPID CHANGE TAKING PLACE IN THE ELECTRONICS INDUSTRY, LARGE QUANTITIES OF COMPONENTS BECOME REDUNDANT. WE ARE CASH PURCHASERS OF SUCH MATERIALS AND WOULD APPRECIATE A TELEPHONE CALL OR A LIST IF AVAILABLE. WE PAY TOP PRICES AND COLLECT.

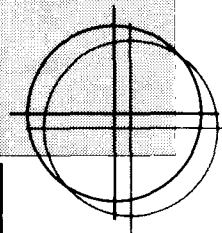
R. Henson Ltd.

21 Lodge Lane, N. Finchley, London, N.12. 5 mins. from Tally Ho corner

Telephone 01 445 2713/0749

CIRCLE 74 FOR FURTHER DETAILS.

CROSSWARE



SOFTWARE
DEVELOPMENT TOOLS FOR
THE BBC MICROCOMPUTER

CROSS · ASSEMBLERS

FULLY SUPPORTED
QUALITY SOFTWARE

As exhibited at MDS '86

Is it really possible to use the BBC micro and a single disc drive to assemble more than 4 megabytes of source code?

Yes... if you're using one of our XR-series cross-assemblers and making full use of local labels.

But there is more to our software than that. So much more in fact that we will send you a free comprehensive data sheet to tell you about it.

Since 1984, industry has been using our cross-assemblers to develop applications ranging from defence systems to software for the Amstrad; and education has found them an ideal aid for teaching microprocessor system development.

They are available immediately from stock and are supplied on 16k ROMs, each with one or more utilities discs. They're Econet compatible and run on any model B or B+ fitted with Basic II and a 1.20 or later operating system.

Order Code	Target Processors	Price
6801XR	6800,6801,6802,6301...6301X	£48.00
6805XR	6805,146805,6305	£48.00
6809XR	6809 family	£48.00
8085XR	8085,8080A	£48.00
Z80XR	Z80, HD64180	£48.00
68000XR	68000,68008	£56.00
65C02XR	65C02, 65SC02, 6502	£38.00

Further information from:
CROSSWARE PRODUCTS
2 The Lawns, Melbourn, Royston, Herts SG8 6BA
Telephone: 0763 61539



CIRCLE 81 FOR FURTHER DETAILS.

The
**BIGGEST
CADCAM**
event
in Europe
is at
the
**NEC
Birmingham**
April
**8-10th
1986**

CADCAM 86
NEC BIRMINGHAM
APRIL 8-10 1986

Ring **NOW** for your tickets
24-hour hotline 01-608-1711

CIRCLE 93 FOR FURTHER DETAILS.

It's easy
to complain
about
advertisements.
But which
ones?

Every week millions of advertisements appear in print on posters or in the cinema.

Most of them comply with the rules contained in the British Code of Advertising Practice.

But some of them break the rules and warrant your complaints.

If you're not sure about which ones they are, however, drop us a line and we'll send you an abridged copy of the Advertising Code.

Then, if an advertisement bothers you, you'll be justified in bothering us.

The Advertising Standards Authority. ✓
If an advertisement is wrong,
we're here to put it right.

ASA Ltd, Dept 2 Brook House, Torrington Place,
London WC1E 7HN

This space is donated in the interests of high standards of advertising.

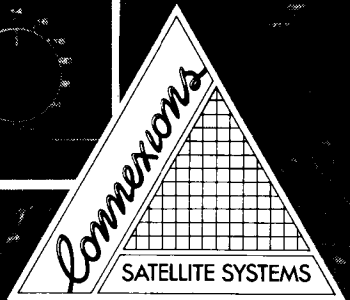
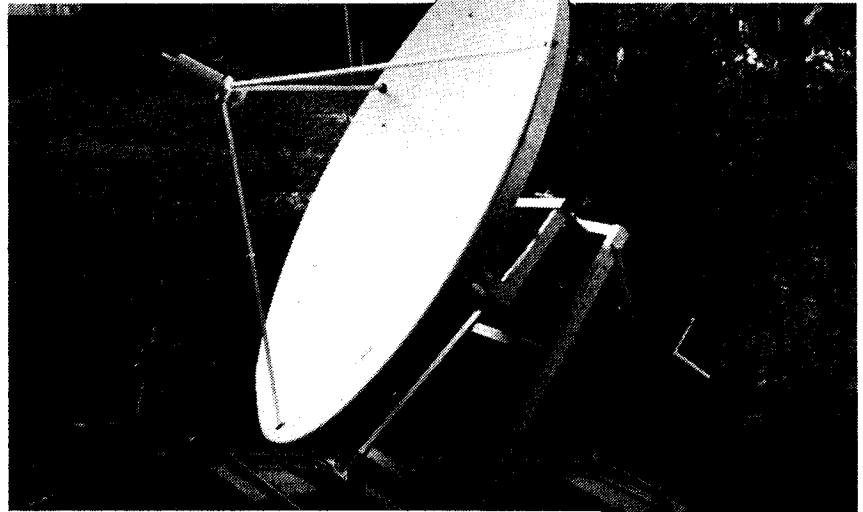
Affordable entertainment

Reliable, simple satellite systems from Connexions.

With a Connexions satellite system, up to fourteen channels of entertainment and information are available to you - whether private home, pub, club, disco, hotel, restaurant or educational establishment.

The channels currently available are broadcasting a wide range of top quality material including current cinema films, national/international and minority sports, pop videos, childrens programmes, news channels and general entertainment.

Trade and dealership enquiries welcome.



Full band systems from **£995* inc. vat.**

* Plus delivery and installation.

Connexions Satellite Systems Ltd

125 East Barnet Road, New Barnet, Herts. EN4 8RF Telephone: 01-441 1282 (5 lines) Telex: 295181 SMC G

CIRCLE 83 FOR FURTHER DETAILS.

OSCILLOSCOPES	MULTIMETERS
H.P. 1715A Dual Trace 200MHz Delay Sweep..... £1,500	PHILIPS DMM type PM2517X (LCD). 4 digit. Auto ranging. Complete with Batteries & Leads (P&P £5)..... ONLY £75
TEKTRONIX 465 Dual Trace 100MHz Delay Sweep..... £900	AVO 8a and AVO 9a from..... £50
TEKTRONIX 454 Dual Trace 150MHz Delay Sweep..... £350	AVO Model 73. Pocket Multimeter (Analogue) 30 ranges. Complete with batteries & leads..... £18
TELEQUIPMENT 075 Dual Trace 50MHz Delay Sweep..... £350	PROFESSIONAL 0° GREEN SCREEN MONITORS made by KGM for Reuters. Gives Quality 80 column* 24 line Display. Composite Video In. Cascd. Good Condition. NOW ONLY..... £32 each
GOULD 05300A Dual Trace 40MHz Delay Sweep..... £350	5 1/2" FLOPPY DISK DRIVES
TELEQUIPMENT 067 Dual Trace 25MHz Delay Sweep..... £250	TANDON 1 Head; Single Sided Double Density. Brand New..... £45 each
TELEQUIPMENT 067 Dual Trace 25MHz Delay Sweep..... £250	MPI Double Sided. Double Density 80 Track. Un-Used..... £100 each
CROSSOR C00150 Dual Trace 35MHz Delay Sweep..... £2200	DISK DR* PSU. 240V in 5V 1.6A & 12V 1.5A Out. Size W125mmE10ea P&P £2
S.E. LABS SM111 Dual Trace 18MHz AC or External DC Operation..... £150	OPERTY KEYBOARD (as in LYNX MICRO). Push to make. Cascd..... EDMNY £5ea (P&P £2)
TEKTRONIX 547 Dual Trace 50MHz Delay Trace 70, Delay Sweep..... £140	AVO TRANSISTOR TESTER TT169 Handheld. GOING!GO! in situ Testing. Complete with Batteries, leads & Instructions (P&P £3)..... NOW ONLY £12
TELEQUIPMENT 043 Dual Trace 15MHz..... £100	
TEKTRONIX 434 STORAGE. Dual Trace 25MHz..... £180	
GOULD 054000 with Output Unit 4302 Dual Trace 10MHz..... £400	
GENERATORS	NEW EQUIPMENT
H.P. SWEEP OSCILLATOR 6910 1-26Hz..... £400	HAMEG OSCILLOSCOPE 605, Dual Trace 60MHz Delay Sweep..... £515
Other frequencies available:	Component Tester..... £515
HEWLETT PACKARD 616B, 1.8-4.2GHz..... £350	HAMEG OSCILLOSCOPE 203.5 Dual Trace 20MHz Component Tester..... £270
MARCONI TF2009 AM/FM 10KHz-510MHz..... £1,200	All Other Models Available.
MARCONI TF1058B1 AM/FM 10MHz-470MHz..... £350	BLACK STAR COUNTER TIMERS (P&P £5)
MARCONI TF955A/5 1.5-220MHz. Narrow Deviation..... £250	APOLLO 100 - 100MHz. Ratio/Period/Time Interval etc..... £219
ADVANCE type S653E AM/FM 4-230MHz..... £100	APOLLO 100 - 100MHz (As above - with more functions)..... £285
ADVANCE type S653E AM 150kHz-220MHz..... £45	BLACK STAR FREQUENCY COUNTERS (P&P £4)
MARCONI TF144H/10KHz-72MHz..... £250	Meteor 100 - 100MHz..... £99
WAVETEK FUNCTION GEN 162 0.001Hz-30MHz..... £500	Meteor 600 - 600MHz..... £126
H.P. TEST OSCILLATOR 651A 10Hz-10MHz..... £100	Meteor 1000 - 1GHz..... £175
ADVANCE type S653E AM 150kHz-220MHz..... £45	BLACK STAR JUPITOR 500 FUNCTION GENERATOR Sine/Square/Triangle 0.1Hz - 500KHz. P&P £4..... £110
MARCONI TF144H/10KHz-72MHz..... £250	HUNG CHANG DMM 6010. 3 1/2 digit. Hand held 28 ranges including 10 Amp AC/DC. Complete with batteries & leads. P&P £4..... £33.50
LEADER FM STEREO GEN LSG231..... £125	OSCILLOSCOPES PROBES. Switched X1, X10 P&P £11
FARNELL Modular Pulse Generator system 1Hz-10MHz..... £50	H.P. WIDE RANGE OSCILLATOR 200CD 5Hz-600KHz..... £75
H.P. DISTORTION ANALYSER 331A..... £400	
H.P. 4342 '0' Meter..... £1,250	
MARCONI '0' Meter TF1245 with TF1246 or TF1247..... £500	
H.P. POWER METER 431C with Thermistor Mount 10MHz-10GHz or 12.4 10GHz..... £250	
MARCONI RF MILLIVOLTMETER TF2603 50KHz-1500MHz..... £150	
MARCONI VALVE VOLTMETER TF2600 10Hz-10MHz 1mV-300V FS/DC/AC..... £75	
MARCONI INSITU UNIVERSAL BRIDGE TF2701..... £75	
MARCONI UNIVERSAL BRIDGE TF2700. Battery Operated..... £250	
MARCONI UNIVERSAL BRIDGE TF808B £75	
AVO UNIVERSAL MEASURING BRIDGE type 1..... £50	
H.P. VECTOR VOLTMETER 8450A..... £950	
H.P. BROADBAND SAMPLING VOLTMETER 3406A 10KHz-1.2GHz..... £500	
MARCONI AF SIGNAL SOURCE TF2000 20Hz-20KHz..... £250	
H.P. RF MILLIVOLTMETER 411A 500KHz-£500MHz..... £50	
LEVEL TRANSISTOR AC MICROVOLTMETER TM38..... £85	
SCALARTRON TRUE RMS VOLTMETER VM1494..... £50	
H.P. TRUE RMS VOLTMETER 3400A 10Hz-10MHz..... £400	
FEEDBACK ELECTRONIC WATTMETER EW60A DC/20KHz..... £175	
R&S MICROWAVE POWER METER BN2413/30 0-4GHz..... £150	
H.P. DIMM 3470 SYSTEM..... £100	
FARNELL FUNCTION GENERATOR FG3..... £100	
FEEDBACK VARIABLE PHASE OSCILLATOR VP0230 1Hz-100KHz..... £75	
H.P. WIDE RANGE OSCILLATOR 200CD 5Hz-600KHz..... £100	
RACAL 32MHz UNIVERSAL COUNTER TIMER type 836..... £50 each	
COMPUTER INSTRUMENTATION	
BARREL PLOTTER - 36 inch WIDTH, TWIN PFI..... £500	

THIS IS A VERY SMALL SAMPLE OF STOCK, SEE or Telephone for LISTS. Please check availability before ordering. Carriage all units £12. VAT to be added to total on Goods and Carriage.

STEWART OF READING Telephone: 0734 68041

110 WYKEHAM ROAD, READING, BERKS RG6 1PL

Callers welcome 9a.m. to 5.30p.m. MON-FRI. (UNTIL 8p.m.) THURS

CIRCLE 77 FOR FURTHER DETAILS.

HART - The Firm for QUALITY

LINSLEY HOOD 300 SERIES AMPLIFIER KITS

Superb, HART designed, integrated amplifier kits derived from Linsley-Hoods articles in 'HiFi News'. Ultra easy assembly and set-up with sound quality to please the most discerning listener. Ideal basis for any domestic sound systems if quality matters to you. Buy the complete kit and save pounds off the individual component price.



K300-35. 35 Watt. Discount price for Complete Kit..... **£98.79**
 K300-45. 45 Watt. Discount price for Complete Kit..... **£102.36**
 RLH4&5. Reprints of Original Articles from 'HiFi News'..... **£1.05 no VAT**

LINSLEY-HOOD CASSETTE RECORDER CIRCUITS

Complete very high quality low noise signal handling stages for any stereo cassette recorder. Separate record and replay sections for optimum performance. Switched bias and equalisation to cater for chrome and ferric tapes. Very easy to assemble on plug-in PCBs. Complete with full instructions.

K800 Complete Stereo Record/Play Kit..... **£33.70**
 860X Stereo Mic Amp Kit to suit..... **£8.70**
 RLH1&2 Reprints of original Articles..... **75p no VAT**

STUART TAPE RECORDER CIRCUITS

Complete stereo record, replay and bias system for reel-to-reel recorders. These circuits will give studio quality with a good tape deck. Separate sections for record and replay give optimum performance and allow a third head monitoring system to be used where the deck has this fitted. Standard 250mV input and output levels.

K900W Stereo Kit with Wound Coils and Twin Meter Drive..... **£65.67**
 RJS1 Reprints of Original Articles..... **£1.30 no VAT**

HIGH QUALITY REPLACEMENT CASSETTE HEADS

Do your tapes lack treble! A worn head could be the problem. Tape heads are constantly improving and fitting one of our latest replacement heads could restore performance to better than new! Standard mountings fit most decks and our TC1 Test Cassette will make it easy to set the azimuth spot on. As we are the actual importers you get prime parts at lowest prices. All our heads are suitable for Dolby machines.



HC20 Permalloy Stereo Head. Good quality standard head fitted as original equipment on many decks..... **£5.11**
 HS16 Sendust Alloy Super Head. Quite simply the best. Longer life than permalloy, higher output than ferrite, fantastic frequency response..... **£9.91**
 HQ551 4-Track head for auto-reverse or quadrophonic use. Full specification record and play head..... **£9.73**
 Full data on these and other heads in our range are contained in our free list.

HART TRIPLE-PURPOSE TEST CASSETTE TC1

One inexpensive test cassette enables you to set up VU (Dolby) level, head azimuth and tape speed without test equipment. Vital when fitting new heads. Complete with instructions..... **£4.66**

Send for your **FREE copy** of our lists with full details of our complete range of Kits, Components, PCBs, Cassette Heads and Decks:- Overseas please send 5 IRCs for Airmail Post.

Please incld part cost of Post, careful packing and insurance as follows: Orders up to £10 - 50p, orders £10 to £49 - £1, orders over £50 - £1.50.

HART ELECTRONIC KITS LTD
 1, Penylan Mill, Oswestry, Shropshire SY10 9AF
 24 hr SALES LINE (0691) 652894 Please add VAT.

COMPUTER WAREHOUSE

1000's OF BARGAINS FOR CALLERS

THE "ALLADINS' CAVE OF COMPUTER AND ELECTRONIC EQUIPMENT

HOT LINE DATA BASE

DISTEL

The ORIGINAL FREE OF CHARGE dial up data base. Buy, browse or place YOUR OWN AD for goods or services to sell. 1000's of stock items, spares and one off bargains. Updated daily. ON LINE NOW. CCITT, 8 bit word, no parity. For 300 baud modems call 01-679 1888. For 1200-75 baud modems call 01-679 6183

PRINTER / TERMINAL SCOOP

A MASSIVE purchase of these attractive stand alone terminal units enables a SUPER BARGAIN offer. Made by the US GENERAL ELECTRIC CORPORATION the GE MODEL 30 features a standard QWERTY 80 key electronic keyboard coupled to a quality built matrix printer with variable 3" to 9.5" forms tractor. The printer is capable of continuous duty printing with up to 120 characters per line. Standard RS232 interface accepts ASCII data at 110, 150 or 300 baud. Ideal for Terminals, Data loggers, local label printing, or just as a printer!! Sold TESTED with data ONLY £95.00. Also available with TWIN MAGTAPE CASSETTE unit for data capture, data preparation etc £150.00 Carriage £10.00



sided 40/80 track disk drives (1 Mb per drive), PSU, 2K of memory mapped screen RAM, disk controller, RS232, CENTRONICS and system expansion ports, and if that's not enough a ready to plug into STANDARD 8" DRIVE port for up to FOUR 8" disk drives, either in double density or IBM format. The ultra slim 92 key, detachable keyboard features 32 user definable keys, numeric keypad and text editing keys, even its own integral microprocessor which allows the main Z80A to devote ALL its time to USER programs, eliminating "lost character" problems found on other machines. The attractive, detachable 12" monitor combines a green, anti-glare etched screen, with full swivel and tilt movement for maximum user comfort. Supplied BRAND NEW with CPM 2.2, user manuals and full 90 day guarantee. Full data sheet and info on request.

PC2000 System with CPM Etc. COST OVER £1400

DON'T MISS THE CPM Deal OF THE CENTURY

The FABULOUS CPM TATUNG PC2000 Professional Business System

A cancelled export order and months of negotiation enables us to offer this professional PC, CPM system, recently on sale at OVER £1400, at a SCOOP price just over the cost of the two internal disk drives!! Or less than the price of a dumb terminal!! Not a toy, the BIG BROTHER of the EINSTIEN computer, the DUAL PROCESSOR PC2000 comprises a modern stylish three piece system with ALL the necessities for the SMALL BUSINESS, INDUSTRIAL, EDUCATIONAL or HOBBYIST USER. Used with the THOUSANDS of proven, tested and available CPM software packages such as WORDSTAR, FAST, DBASE2 etc, the PC2000 specification, at our prices, CANNOT BE BEATEN!!

The central processor plinth contains the 64K, Z80A processor, DUAL TEAC 55F Double density 5 1/4" disk drives (1 Mb per drive), PSU, 2K of memory mapped screen RAM, disk controller, RS232, CENTRONICS and system expansion ports, and if that's not enough a ready to plug into STANDARD 8" DRIVE port for up to FOUR 8" disk drives, either in double density or IBM format. The ultra slim 92 key, detachable keyboard features 32 user definable keys, numeric keypad and text editing keys, even its own integral microprocessor which allows the main Z80A to devote ALL its time to USER programs, eliminating "lost character" problems found on other machines. The attractive, detachable 12" monitor combines a green, anti-glare etched screen, with full swivel and tilt movement for maximum user comfort. Supplied BRAND NEW with CPM 2.2, user manuals and full 90 day guarantee. Full data sheet and info on request.

PC2000 Business System with CPM and 'Ready to Run' FAST Sales and Purchase ledger, supports up to 9000 Accounts, VAT etc. COST OVER £1700

PC2000 Wordprocessor System with CPM and TEC FP25 daisywheel printer

NOW only £399

NOW only £499
Carriage & Insurance £12.00

NOW only £799

COLOUR & MONOCHROME MONITOR SPECIALS

'SYSTEM ALPHA' 14" COLOUR MULTI INPUT MONITOR
Made in the UK by the famous REDIFFUSION Co. for their own professional computer system this monitor has all the features to suit your immediate and future monitor requirements. Two video inputs: RGB and PAL Composite Video, allow direct connection to BBC/IBM and most other makes of micro computers and VCR's. An internal speaker and audio amplifier may be connected to computer or VCR recorder for superior sound quality. Many other features include PIL tube, Matching BBC case colour, Major controls on front panel, Separate Contrast and Brightness - even in RGB mode. Two types of audio input, Separate Colour and audio controls for Composite Video input, BNC plug for composite input, 15 way 'D' plug for RGB input, modular construction etc. This Must Be ONE OF THE YEAR'S BEST BUYS.

Supplied BRAND NEW and BOXED, complete with DATA and 90 day guarantee. SUPPLIED BELOW ACTUAL COST - ONLY £149.00 as above OR IBM PC Version £165.00

DECCA 80 16" COLOUR monitor. RGB input.
Little or hardly used manufacturer's surplus enables us to offer this special converted DECCA RGB Colour Video TV Monitor at a super low price of only £99.00, a price for a colour monitor as yet unheard of!! Our own interface, safety modification and special 16" high definition PIL tube, coupled with well known DECCA 80 series TV chassis give 80 column definition and quality found only on monitors costing 3 TIMES OUR PRICE. In fact, WE GUARANTEE you will be delighted with this product, the quality for the price, has to be seen to be believed!! Supplied complete and ready to plug direct to a BBC MICRO computer or any other system with a TTL RGB output. Other features are: internal speaker, modular construction, auto degaussing circuit, attractive TEAK CASE, compact dimensions only 52cm W x 34 H x 24 D, 90 day guarantee. Although used, units are supplied in EXCELLENT condition. ONLY £99.00 + Carriage.

DECCA 80, 16" COLOUR monitor. Composite video input. Same as above model but fitted with Composite Video input and audio amp for COMPUTER, VCR or AUDIO VISUAL use. ONLY £99.00 + Carr.

REDIFFUSION MARK 3, 20" COLOUR monitor. Fitted with standard 75 ohm composite video input and sound amp. This large screen colour display is ideal for shops, discos, school clubs and other AUDIO VISUAL applications. Supplied in AS NEW or little used condition ONLY £145.00 + Carr.

BUDGET RANGE EX EQUIPMENT MONOCHROME video monitors.
All units are fully cased and set for 240v standard working with composite video inputs. Units are pre tested and set up for up to 80 column use. Even when MINOR screen burns exist - normal data displays are unaffected.
12" KGM 320 1" B/W bandwidth input, will display up to 132 x 25 lines. £32.95
12" GREEN SCREEN version of KGM 320-1. Only £39.95
9" KGM 324 GREEN SCREEN fully cased very compact unit. Only £49.00
Carriage and insurance on all monitors £10.00

DC POWER SUPPLY SPECIALS

GOULD OF443 enclosed, compact switch mode supply with DC regulated outputs of +5v @ 5.5a, +12v @ 0.5a, -12v @ 0.1a and -23v @ 0.02a. Dim 18 x 11 x 6 cm. 110 or 240v input. BRAND NEW only £16.95

GOULD G6-40A 5v 40 amp switch mode supply NEW £130.00

GREENDALE 19A-BOE Switch mode 60 watt open PCB with a fully regulated DC output of 5v @ 6 amps, and three semi regulated outputs of +12v, -12v, +15v @ up to 1 amp. Dim only 11 x 20 x 5.5 cm. 110 or 240v AC input. TESTED ex equipment. Only £24.95

AC-DC Linear PSU for DISK drive and SYSTEM applications. Constructed on a rugged ALLOY chassis to continuously supply fully regulated DC outputs of +5v @ 3 amps, -5v @ 0.6 amps and +24v @ 5 amps. Short circuit and overvoltage protected. 100 or 240v AC input. Dim 28 x 12.5 x 7 cm NEW £49.94
Carriage on all PSUs £3.00

KEYBOARDS



Manufacturer's BRAND NEW surplus.
DEC LA34 Unencoded keyboard with 67 quality gold plated switches on X-Y matrix - ideal micro conversions etc. £24.95
AMKEY MPNK-114 Superb word processor chassis keyboard on single PCB with 116 keys. Many features such as On board Micro, Single 5v rail, full ASCII coded character set

with 31 function keys, numeric keypad, cursor pad and 9600 baud SERIAL TTL ASCII OUTPUT!! Less than half price ONLY £69.00 with data.
Carriage on Keyboards £3.50

SURPLUS SPECIALS ON PRESTEL - VIEWDATA - TELEX

PLESSEY VUTEL, ultra compact unit, slightly larger than a telephone features a STANDARD DTMF TELEPHONE (tone dial) with 5" CRT monitor and integral modem etc. for direct connection to PRESTEL, VIEWDATA etc. Designed to sell to the EXECUTIVE at over £600!! Our price BRAND NEW AND BOXED at only £99.00

DECCAFAX VP1 complete Professional PRESTEL system in slimline desk top unit containing Modem, Numeric keypad, CPU, PSU etc. Connects direct to standard RGB colour monitor. Many other features include: Printer output, Full keyboard input, Cassette port etc. BRAND NEW with DATA. A FRACTION OF COST only £55.00

ALPHATANTAL Very compact unit with integral FULL ALPHA NUMERIC keyboard. Just add a domestic TV receiver and you have a superb PRESTEL system and via PRESTEL the cheapest TELEX service to be found!! Many features: CENTRONICS Printer output, Memory dialling etc. Supplied complete with data and NEW mod for RGB or Composite video outputs. AS DIY only £125.00

Post and packing on all PRESTEL units £8.50

EX-STOCK INTEGRATED CIRCUITS

4164 200 ns D RAMS 9 for £11 4116 ns £1.50 2112 £10.00 2114 £2.50 2102 £2.00 6116 £2.50 EPROMS 2716 £5.50 2732 £3.00 2784 £4.95 27128 £5.50 8B00 £2.50 8B21 £1 68A09 £8 68B09 £10 8085A £5.50 8086 £15 8088 £8 NEC765 £8 WD2793 £28 B202A £22 8251 £7 8748 £15 Z80A DART £6.50 Z80A CPU £2.00.

Thousands of IC's EX STOCK send SAE for list.

DISK DRIVES

Japanese half height, 80 track double sided disk drives by TEAC, CANON, TOSHIBA etc.
Sold as NEW with 90 day guarantee ONLY £85.00
SUGART SA400 SS FH 35 TRK £55.00
SIEMENS FDD100 SS FH 40 TRK £65.00
carriage on 5 1/4" drives £5.50
Brand NEW metal 4 DISK CASES with internal PSU.
DSKC 1 for 2 HH or 1 FH drive £29.95 +pp £4.00
DSKC 2 for 1 HH drive £22.95 +pp £3.50
DSKC 3 As DSK1 LESS PSU £12.95 +pp £2.50
DSKC 4 As DSK2 LESS PSU £10.95 +pp £2.00
8" IBM format TESTED EX EQUIPMENT.
SHUGART 800/801 SS £175.00 +pp £8.50
SHUGART 851 DS £250.00 +pp £8.50
TWIN SHUGART 851's 2 Mb total capacity in smart case, complete with PSU etc. £595.00
MITSUBISHI M2894-83 8" DS 1 Mb capacity equiv. to SHUGART SA850R. BRAND NEW at £275.00 +pp £8.50 £125.00

DRE 7100 SS condition as seen
Various PSU's Ex Stock SEE PSU section.
HARD DISK DRIVES
DRE/DIABLO Series 30 2.5 Mb footpad £525.00
Exchangeable version £295.00. ME3029 PSU £95.00
DIABLO 44/DRE4000A, B 5+5 Mb from £750.00
CDC HAWK 5+5 Mb £795.00. CDC 9762 80 Mb RM03 etc. £2500.00
PERTEC D3422 5+5 Mb £495.00
RODIME 5 1/4" Winchester ex-stock from £150 CALL
BASF 8172 23Mb Winchesters, as seen £199.00

Unless stated all drives are refurbished with 90 day guarantee. Many other drives and spares in stock - call sales office for details.

MODEMS

Join the communications revolution with our super range of DATA MODEMS, prices and specifications to suit all applications and budgets.

BRAND NEW State of the art products.
DACOM DSL2123 Multi standard 300-300, 1200-75 Auto answer etc. £268.00
DACOM DSL2123AQ Auto dial, smart modem with multi standard AUTO SPEED detect, and data buffer with flow control etc. £365.00
DACOM DSL2123GT The CREAM of the intelligent modems, auto dial, auto call, index, buffer etc. £498.00
Stebeck SB1212 V22 1200 baud FULL DUPLEX, sync or async, optional auto dial. £465.00
TRANSDATA 301A Acoustic coupler 300 baud full duplex, originate only, RS232 £49.00

Ex BRITISH TELECOM full spec, CCITT, ruggedised, bargain offers. Sold TESTED with data. Will work on any MICRO or system with RS232 interface.
MODEM 13A 300 baud unit, only 2" high fits under phone. CALL mode only £45.00
MODEM 20-1 75-1200 baud. Compact unit for use as subscriber end to PRESTEL, TELECOM GOLD, MICRONET etc. £39.95 +pp £5.50
MODEM 20-2 1200-75 baud. Same as 20-1 but for computer end. £65.00 +pp £6.50
DATL 2412. Made by SE Labs for BT this two part unit is for synchronous data links at 1200 or 2400 baud using 2780/3780 protocol etc. Many features include 2 or 4 wire working, self test, auto answer etc. COST OVER £800. Our price ONLY £199 +pp £8.00
DATL 4800, RACAL MP54800 baud modem, EX BT good working order, ONLY £295.00 +pp £8.00

SPECIAL OFFER
MODEM TG2393. Ex BT, up to 1200 baud, full duplex 4 wire or half duplex over 2 wire line. ONLY £85.00 PER PAIR +pp £10.00

For more information contact our Sales Office.

MATRIX PRINTERS

SPECIAL BULK PURCHASE of these compact, high speed matrix printers. Built in Japan for the Hazeltine Corporation this unit features quality construction giving 100cps bidirectional, full pin addressable graphics, 6 type fonts, up to 9.5" single sheet or tractor paper handling, RS232 and CENTRONICS parallel interface. Many other features. BRAND NEW and BOXED. COST £420. Our price ONLY £199.00

RECHARGEABLE BATTERIES

Dry Fit MAINTENANCE FREE by Sonnenschein & Yuasa.
A300 07191315 12v 3Ah NEW £13.95
A300 07191312 6v 3Ah NEW £9.95
A300 07191202 6-0-6v 1.8Ah TESTED Ex Equip £5.99

VDU TERMINALS

Standard VDU data entry terminals at give away prices!!
QUME QVT108. Current product, state of the art terminal with detachable keyboard, 12" Green screen, 2 page RAM, TVI 925, Hazeltine, ADMSA emulations, software setup, 25 x 80, Clock, Swivel and tilt base, printer port, Function keys etc. BRAND NEW and BOXED AT ALMOST HALF PRICE ONLY £425.00
AJS D EX RENTAL, Z80 controlled, 15" green screen 24 x 80 display, graphics, cursor addressing, printer port etc. Very good condition TESTED complete with manual only £225.00
ADDS 520 - Dumb terminal, used, 12" b/w screen RS232 interface and printer port. TESTED. ONLY £125.00. Carriage on terminals £10.00
100's of other terminals in stock, CALL for more details.

DISPLAY ELECTRONICS
32 Biggin Way, Upper Norwood, London SE19 3XF
Telephone 01-679 4414 Telex 894502 Data 01-679 1888

ERS — PRINTERS — PRINTERS — PRINTERS

SUPER DEAL? NO — SUPER STEAL THE FABULOUS 25 CPS "TEC STARWRITER"

Made to the very highest spec the **TEC STARWRITER FP1500-25** features a very heavy duty die cast chassis and **DIABLO** type print mechanism giving superb registration and print quality. Micro-processor electronics offer full **DIABLO/QUME** command compatibility and full control via **CPM WORDSTAR ETC.** Many other features include bi-directional printing, switchable 10 or 12 pitch, full width 381mm paper handling with up to 163 characters per line, friction feed rollers for single sheet or continuous paper, internal buffer, standard **RS232** serial interface with handshake. Supplied absolutely **BRAND NEW** with 90 day guarantee and **FREE** daisy wheel and dust cover. Order **NOW** or contact sales office for more information. Optional extras **RS232** data cable **£10.00**. Tech manual **£7.50**. Tractor Feed **£140.00**. Spare daisy wheel **£3.50**. Carriage & Ins. (UK Mainland) **£10.00**.



NOW ONLY **£499 + VAT**

DIY PRINTER MECH

Brand New surplus of this professional printer chassis gives an outstanding opportunity for the **Student, Hobbyist or Robotics** constructor to build a **printer — plotter — digitiser** etc, entirely to their own specification. The printer mechanism is supplied ready built, aligned and pre tested but **WITHOUT** electronics. Many features include all metal chassis, phosphor bronze bearings, **132** character optical shaft position encoder, **NINE** needle head, 2 x two phase 12V stepper motors for carriage and paper control, 9.5" Paper platen etc, etc. Even a manufacturer's print sample to show the unit's capabilities!! Overall dimensions 40 cm x 12 cm x 21 cm.

Sold **BRAND NEW** at a **FRACTION** of cost **ONLY £49.50 + pp £4.50**.

TELETYPE ASR33 DATA I/O TERMINALS

Industry standard, combined ASCII 110 baud printer, keyboard and 8 hole paper tape punch and reader. Standard **RS232** serial interface. Ideal as cheap hard copy unit or tape prep. for CNC and NC machines. **TESTED** and in good condition. Only **£250.00** floor stand **£10.00**. Carr & Ins. **£15.00**.

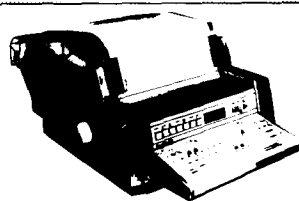
EX NEWS SERVICE PRINTERS

Compact ultra reliable quality built unit made by the **USA EXTEL Corporation**. Often seen in major Hotels printing up to the minute News and Financial information, the unit operates on **5 UNIT BAUDOT CODE** from a Current loop, **RS232** or **TTL** serial interface. May be connected to your micro as a low cost printer or via a simple interface and filter to any communications receiver to enable printing of worldwide **NEWS, TELEX and RTTY** services.

Supplied **TESTED** in second hand condition complete with **DATA, 50 and 75 baud xtals and large paper roll**.

TYPE AE11
50 Column **ONLY £49.95**
Spare paper roll for AE11 **£4.50**
TYPE AF11R 72 Col.
+ Ribbon **£65.00**
TYPE AH11R 80 Col.
ASCII/BAUDOT **£185.00**
Carriage and Insurance **£7.50**

GE TERMIPRINTER



A massive purchase of these desk top printer terminals enables us to offer you these quality **30 or 120 cps** printers at a **SUPER LOW PRICE** against their original cost of over **£1000**. Unit comprises of full **QWERTY**, electronic keyboard and printer mech with print face similar to correspondence quality typewriter. Variable forms tractor unit enables full width — up to 13.5" 120 column paper, upper — lower case, standard **RS232** serial interface, internal vertical and horizontal tab settings, standard ribbon, adjustable baud rates, quiet operation plus many other features. Supplied complete with manual. Guaranteed working **GE30 £130.00**. **GE1200 120 cps £175.00**. Untested **GE30 £65.00** Optional floor stand **£12.50**. Carr & Ins. **£10.00**.

SEMICONDUCTOR 'GRAB BAGS'

Mixed Semis amazing value contents include transistors digital, linear, IC's, triacs, diodes, bridge recs, etc etc. All devices guaranteed brand new full spec with manufacturer's markings, fully guaranteed.
50+ £2.95 100+ £5.15
TTL 74 Series. A gigantic purchase of an "across the board" range of **74 TTL** series IC's enables us to offer **100+** mixed "mostly TTL" grab bags at a price which two or three chips in the bag would normally cost to buy. Fully guaranteed all IC's full spec. **100+ £6.90**, **200+ £12.30**, **300+ £19.50**

MAINS FILTERS

CURE those unnering hang ups and data glitches caused by mains interference with professional quality filters. **SD5A** match-box size up to **1000 watt 240 V** Load **ONLY £5.95**. **L12127** compact completely cased unit with 3 pin fitted socket up to **750 watts ONLY £9.99**.

EPROM COPIERS

The amazing **SOFTY 2** The "Complete Toolkit" for copying, writing, modifying and listing **EPROMS** of the **2516, 2716, 2532, 2732** range. Many other functions include integral keyboard, cassette interface, serial and parallel i/o UHF modulator ZIF socket etc.
ONLY £195.00 + pp £2.50.

"**GANG OF EIGHT**" intelligent **Z80** controlled 8 gang programmer for ALL single 5v rail EPROMS up to 27128. Will copy 8 27128 in **ONLY 3 MINUTES**. Internal **LCD** display and checking routines for **IDiot PROOF** operation. **Only £395.00 + pp £3.00**.

"**GANG OF EIGHT PLUS**" Same spec. as above but with additional **RS232** serial interface for down line loading data from computer etc. **ONLY £445.00 + pp £3.00**

Data sheets on request

COOLING FANS

Keep your hot parts **COOL** and **RELIABLE** with our range of **COOLING FANS** **ETRI 126LF21 240v 5 blade** equipment fan Dim: 80 x 80 x 38mm **£9.95**. **ETRI 99XU01 240v** Slimline Dim: 92 x 92 x 25mm. equipment fan. **NEW £9.95**. **GOULD JB-3AR Dim. 3" x 3" x 2.5"** compact very quiet running 240v operation. **NEW £6.95**. **MUFFIN-CENTAUR-BOXER** standard 120 x 120 x 38mm fans Order 110v OR 240v. 3 or 5 blade. **NEW at £10.50** or tested **EX EQUIPMENT £5.50**. Low Voltage DC Fans. **BUHLER 69.11.22**. 8-16v DC micro miniature reversible. Uses brushless servo motor, almost silent running, guaranteed 10,000 hr life. Measures only 62 x 62 x 22mm. Current cost **£35.00** **OUR PRICE ONLY £13.95** complete with data. 120 x 120 x 38mm (4" DC fans). **PANASONIC FB-12C12H 12v DC 5 blade £18.00** **PAPST 4124X 24 — 28v DC 5 blade £18.00**. 100's of other fans Ex Stock.

Call for Details. Post & Packing on all fans £2.00

20,000 FEET OF ELECTRONIC AND COMPUTER GOODIES

ENGLAND'S LARGEST SURPLUS STORE — SEEING IS BELIEVING!!

DEC CORNER

PDP 1140 System comprising of CPU, 124k memory & MMU 15 line RS232 interface. **RP02 40 MB** hard disk drive. **TU10 9 track 800 BPI** Mag tape drive, dual track system. **VT52 VDU**, etc. etc. Tested and running. **£3,750.00**
BA11-MB 3.5" Box, PSU, LTC **£395.00**
DH11-AD 16" x **RS232 DMA** interface **£1,900.00**
DLV11-J4 x **EIA** interface **£350.00**
DLV11-E Serial. Modern support **£190.00**
DUP11 Synch. Serial data i/o **£650.00**
DQ200 Dialog — multi RK controller **£495.00**
DZ11-B 8 line RS232 mux board **£650.00**
KDF11-B M8189 PDP 1123 **PLUS** **£1,100.00**
LA30 Printer and Keyboard **£80.00**
LA36 Dcwriter EIA or 20 mA loop **£270.00**
MS11-JP Unibus 32kb Ram **£80.00**
MS11-LB Unibus 128kb Ram **£450.00**
MS11-LD Unibus 256kb Ram **£850.00**
PDP11/05 Cpu Ram, i/o etc **£450.00**
PDP11/40 Cpu, 124k MMU **£1,850.00**
RT11 ver 3B documentation kit **£70.00**
RK05-J 2.5 Mb disk drives **£650.00**
KL8 JA PDP 8 async i/o **£175.00**
M18E PDP 8 Bootstrap option **£75.00**
VT50 VDU and Keyboard — 20 mA **£175.00**
VT52 VDU and **RS232** interface **£250.00**

Give your **VT100** a Birthday!!!

Brand New **VT100** Keyboards only **£85.00**

1000's OF EX STOCK spares for **PDP8, PDP8A PDP11, PD P1134** etc. SAE. for list. or **CALL** sales office for details.
ALL TYPES OF COMPUTER EQUIPMENT AND SPARES WANTED FOR PROMPT CASH PAYMENT.

MAG TAPE DRIVES

Many **EX STOCK** computer tape drives and spares by **PERTEC, CIPHER, WANGO, DIGIDATA, KENNEDY** etc. Special offer this month on **DEI Cartridge** tape drives **ONLY £450.00** each.

CALL FOR DETAILS

COMPUTER/SYSTEM CABINET & PSU

All in one quality computer cabinet with integral switched mode PSU, mains filtering, and twin fan cooling. Originally made for the famous **DEC PDP8** computer system costing thousands of pounds. Made to run 24 hours per day your **PSU** is fully screened and will deliver a massive **+5v DC at 17 amps, +15v DC at 1 amp and -15v DC at 5 amps**. The complete unit is fully enclosed with removable top lid, filtering, trip switch, power and run leds mounted on all front panel, rear cable entries, etc. etc. Units are in good but used condition — supplied for 240v operation complete with full circuit and tech. man. Give your system that professional finish for only **£49.95 + carr. 19"** wide **16"** deep **10.5"** high. Useable area **16" w 10.5" h 11.5" d**.

Also available less psu, with fans etc. Internal dim. **19" w, 16" d, 10.5" h**. **£19.95. Carriage £8.75**

66% DISCOUNT ON ELECTRONIC COMPONENTS EQUIPMENT

Due to our massive bulk purchasing programme, which enables us to bring you the best possible bargains, we have thousands of IC's, Transistors, Relays, Caps, PCB's, Sub-assemblies, Switches etc. etc. surplus to OUR requirements. Because we don't have sufficient stocks of any one item to include in our ads we are packing all these items into the **BARGAIN OF A LIFETIME**. Thousands of components at giveaway prices. Guaranteed to be worth at least 3 times what you pay. Unbeatable value and perhaps one of the most consistently useful items you will every buy!!! Sold by weight.

2.5kls **£5.25 + pp £1.25**
10kls **£11.25 + pp £2.25**

5 kls **£6.90 + £1.80**
20kls **£19.50 + pp £4.75**

1000's of other EX STOCK items including **POWER SUPPLIES, RACKS, RELAYS, TRANSFORMERS, TEST EQUIPMENT, CABLE, CONNECTORS, HARDWARE, MODEMS, TELEPHONES, VARIACS, VDUs, PRINTERS, POWER SUPPLIES, OPTICS, KEYBOARDS** etc. etc. Give us a call for your spare part requirements. Stock changes almost daily.

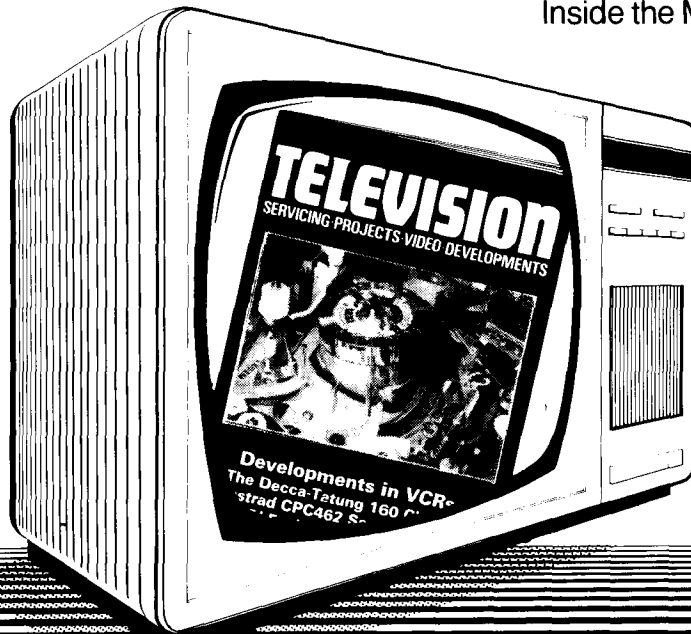
Don't forget, **ALL TYPES** and **QUANTITIES** of electronic surplus purchased for **CASH**



CIRCLE 88 FOR FURTHER DETAILS.

GET TUNED TO TELEVISION

The technology of television won't stand still: satellites, videotext systems, cable, video, equipment interfacing... Follow developments month by month in this unique magazine. Each issue includes in-depth servicing articles on TVs and VCRs. Other regular features include test reports, also vintage and DX TV. The magazine for all those interested in the technology of domestic TV and video.

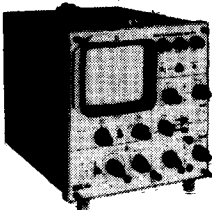


Inside the March issue OUT NOW

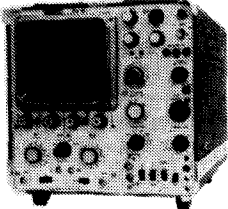
- **Servicing the Hitachi NP6C**
Fault finding notes on these popular sets with screen sizes from 13 to 20 inches.
- **VHS the Philips Way**
How the operation of Philips VHS machines differs from others using this format.
- **The Network Electronic Memory System**
The tuning/remote control system used on the NW1402R.
- **Long-Play VCR Operation**
Techniques that make possible a record playback time of up to eight hours.

CIRCLE 82 FOR FURTHER DETAILS.

SMALL SELECTION ONLY LISTED RING US FOR YOUR REQUIREMENTS WHICH MAY BE IN STOCK



Portable Battery or Mains Oscilloscope. SE Laboratories 111 Oscilloscope — Solid State — General purpose — Bandwidth DC to 18/20MC/S at 20MV/CM — Dual Channel — Rise time 19NS — Calibrated Sweep — Calibrator — Display 10CMS×8CMS — Power AC — 95 Volts to 100-190 Volts to 260 or 24 Volt DC battery — Size: W 25.5 CM — H 25.5 CMS — 56CMS Deep — WT 11.4KGS — Carrying handle — Tested in fair condition with operating instructions £120.00.



Latest Bulk Government Release — Cossor Oscilloscope CDU150 (CT531/3) £150 only. Solid state general purpose bandwidth DC to 35MHz at 5MV/CM — Dual Channel — High brightness display (8×10cm) Full delayed time base with gated mode — Risetime 10NS — Illuminated graticule — Beam finder — Calibrator 1KHz squarewave — Power 100 — 120V. 200V — 250 volts AC — Size W 26CM — 41CM deep — WT 12.5 K.G. carrying handle — colour blue — protection cover front containing polarized viewer and camera adaptor plate — probe (1) — Mains lead. Tested in Fair condition with operating instructions — £150.00.

Communication Receivers. Racal 500KC/S to 30MC/S in 30 bands 1MC/SWIDE — RA17 MK11 £125. RA17L £150. RA117E £200. New Metal Loured Cases for above £25. All receivers are air tested and calibrated in our workshop — supplied with dust cover — operation instructions — circuit — in fair used condition. Racal Synthesizers (Decade frequency generators) MA350B Solid State for use with — MA79 — RA217 — RA1218

Etc £100 to £150. MA250 — 1.6MC/S to 31.6 MC/S £100. MA1350 for use with RA17 receiver £100. MA259G Precision frequency standard 5MC/S — 1MC/S — 100KHz £100 to £150. Panoramic Adaptor RA66 £150. RA137 and RA37 £40 to £75 LF converters 10 to 980KC/S. RA218 Independent SSB unit £50 RA98 SSB-ISM Converter £50. RA121 SSB-ISM converter £75. EC964/7K Solid state — single channel — SSB — mains or battery — 1.8 to 27.5 MC/S and 400 to 535KHz £100 with manual Plessey PR155G Solid State 60KC/S — 30MC/S £400. Creed 75 Teletypewriters — Fitted tape punch and gearbox for 50 and 75 bauds — 110volts AC supply — In original transport tray sealed in polythene — lik new £15EA. Rediton TT11 Audio Teletypewriter converter receiver solid state — supply 110 or 240AC — Made for use with above teletypewriter enabling print-out of messages received from audio input of communication receiver £15 with circuit tested. Rediton TT10 Converter as above but includes transmit facilities £20.

Oscilloscopes — stocks always changing Tektronix 465 — 100MC/S £750. FM Recorder Sangmid Sabre 111 14 channels £350. Translet Matrix printers — AF11R — 5 level Baudot Code — up to 300 Bauds; — for print out on plain teletypewriter paper £50 to £100. Translet AH11R — As above but also 8 level ASC11 (CCITT No 2 and CCITT No. 5) Like new £100. Army field telephone sets. Type F — L and J — Large quantity in stock £6 to £15 depending on type and quantity P.O.R. Don 10 Telephone Cable — half mile canvas containers £20. Night viewing infra-red AFV periscopes — Twin Eyepiece — 24 volt dc supply £100ea. Original cost to government over £11,000ea. Static inverters — 12 or 24 volt input — 240 volt AC sine wave output — various wattages P.O.R. XY Plotters and pen recorders various — P.O.R. Ferrograph series 7 Tape recorders mono £100, stereo £150. Signal Generators various — TF995/A3 £60. TF801D/8a — 10MC/S to 485MC/S £90 TF144H/A4 £90. TF1060/2 £60. HP806A — £90 £140 HP808 £50 HP814A £100 HP818B £100 HP820A £100. Marconi TF1064B/5 £100 TF791 Deviation meter £100 TF893A Power meter £50 Aerial mast assembly 30ft high complete with 16ft whip aerial to mount on top guyropes — insulators — Base and Spikes etc. in heavy duty carrying bag — new £30. Racal frequency counter Type B36 £50 Tektronix plugs-ins — 1A1 £50. 1A2 £40. 1A4 £100 M&S0. All items are bought direct from H.M. Government being surplus equipment: Price is Ex works. S.A.E. for enquiries. Phone for appointment for demonstration of any items. Also availability or price change. V.A.T. and carriage extra.

EXPORT TRADE AND QUANTITY DISCOUNTS GIVEN
JOHNS RADIO (0274) 684007
WHITEHALL WORKS,
84 WHITEHALL ROAD,
EAST BIRKENSHAW, BRADFORD
BD11 2ER

WANTED: REDUNDANT TEST EQUIPMENT — RECEIVING AND TRANSMITTING EQUIPMENT — VALVES — PLUGS — SOCKETS SYNCHROS ETC.

MARCO TRADING 86
MAIL ORDER CATALOGUE
ELECTRONIC COMPONENTS NOW FOR YOUR COPY
BT APP TELEPHONES MASTER SOCKET AND SPECIAL OFFERS
PLUG & 3MM LEAD £1.25
CABLE CLIPS 100/75P
4-CORE CABLE — 15P/MTR.

TRADE PRICES UPON REQUEST
SEND £1.00 (E2.50 OVERSEAS) NOW FOR YOUR COPY
INCLUDES A 50p VOUCHER, ORDER FORM, PRE-PAID ENVELOPE & SPECIAL OFFERS

3 CHANNEL CHART RECORDER £40 + £10 P/P
VISA

FREE TO SCHOOLS & COLLEGES ETC.
TELEX FOR YOUR COPY NOW
OR WRITE/PHONE TO:-
MARCO TRADING DEPT WW3
The Maltings
High Street
Wern, Shropshire SY4 5EN
Tel: 0939 32763 Telex: 35565

EVERY MONTH A SPECIAL OFFER
THIS MONTH — MARCH
CERAMIC KIT £3.50
5 OFF EACH VALUE (125) SPECIAL OFFER
(WITH ORDERS OVER £10) £2.25

METERS ANTEX IRONS
NI-CADS NI-CAD CHARGER £5
1/2 WATT RESISTOR KIT 10 OFF £3.75
5 OFF £4.75
TRANSISTORS PRESETS
VEROBOARD PLUGS & SOCKETS
PLASTIC BOXES LED'S SWITCHES WIRE
TRANSFORMERS POTS HEADPHONES C-MOS
ZENERS DIODES IC'S
GAS SOLDERING IRON £13.90
TOOLS

CIRCLE 87 FOR FURTHER DETAILS.

Ex Computer
SWITCH MODE POWER SUPPLIES
D.S. Electronics 16, Eagle Street, Hanley, Stoke-on-Trent. ST1 3PE.
Phone (0782) 29898.
Fully tested at lowest prices Manufactured by GOULD. FARNELL. & ADVANCE.

5V @ 10amps	£15	D TYPE PLUGS SOLDER	
5V @ 60amps	£35	15 Way	£1.00
10.5V @ 20amps	£35	D TYPE SOCKETS SOLDER	
12V @ 20amps	£40	9 Way	£0.75
19V @ 15amps	£35	DIODES	
24V @ 5amps	£18	IN4001/2/3	3p
		IN4007	5p
Post & packing £3		EPROMS Ex Equipment	
I.D. CONNECTORS. 3M Scotchflex.		2516	£1.25
14 Way	£0.75	2716	£1.25
20 Way	£1.00	2732	£2.25
34 Way	£1.30	DIL HEADERS	
50 Way	£1.75	16 PIN	£0.15
I.D. CONNECTORS.		ICs	
T&B Ansley Blue Macs.		MC 1711 CP Dual	
34 Way	£1.20	Comparator with strobes	£0.65

Please add V.A.T. plus 50p P&P unless stated.

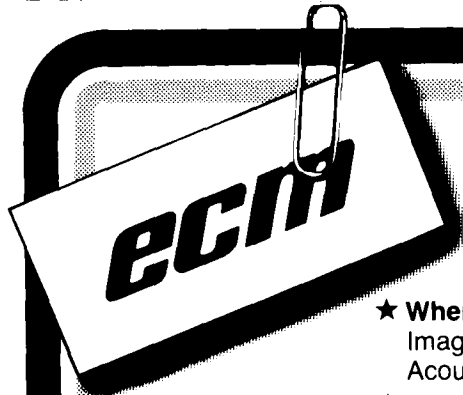
CIRCLE 24 FOR FURTHER DETAILS.

Appointments

Advertisements
accepted up to 12 noon
5 March for April
issue

DISPLAYED APPOINTMENTS VACANT: £21 per single col. centimetre (min. 3cm).
LINE advertisements (run on): £4.50 per line, minimum £36 (prepayable).
BOX NUMBERS: £10 extra. (Replies should be addressed to the Box Number in the advertisement, c/o Quadrant House, The Quadrant, Sutton, Surrey SM2 4AS).
PHONE: SUSAN PLATTS, 01 661 3033 (DIRECT LINE)

Cheques and Postal Orders payable to BUSINESS PRESS INTERNATIONAL LTD. and crossed.



THE BEST APPROACH

£7,000-£30,000 + CAR

- ★ **Where does your interest lie:** Graphics; CAD; Robotics; Simulation; Image and Signal Processing; Medical; Automation; Avionics; Acoustics; Weapons; Comms; Radar; Opto and Laser?
- ★ **Experienced in:** VLSI; Microprocessor Hardware or Software; Digital and Analogue circuitry; RF and Microwave techniques?
- ★ **There are hundreds of opportunities in:** Design; Test; Sales and Service for Engineers and Managers
- ★ **For free professional guidance:** Call: 0638 742244 (till 8pm most evenings) or write (no stamp needed) to

ELECTRONIC COMPUTER AND MANAGEMENT APPOINTMENTS LIMITED
FREEPOST, The Maltings, Burwell, Cambridge, CB5 8BR.

(1926)

TECHNICIAN ENGINEERS

COMMUNICATIONS AND ELECTRONICS

A Planned Career in Technology in the Cotswolds

Salaries up to £13,745 *

- **VACANCIES** at both **TECHNICIAN ENGINEER** and **ENGINEERING TECHNICIAN** level.
- **CHALLENGING WORK** in the development and support of highly sophisticated communications and computer systems.
- **OPPORTUNITIES** for gaining experience in a wide variety of technical roles.
- **EXTENSIVE ENGINEERING FACILITIES**
- **CAREER PLANNING** aided by regular assessments of performance.
- **ADVANCEMENT** opportunities on the basis of proven ability.
- **OVERSEAS** service (voluntary).
- **FLEXIBLE** working hours with up to six weeks leave.
- **RELOCATION EXPENSES** in most cases.

Applicants for the higher grade of **TECHNICIAN ENGINEER** should normally possess a BTEC Higher National Certificate Diploma in electronics or other relevant subject; or a City and Guilds Full Technological Certificate, or an equivalent qualification. An aggregate of at least 8 years relevant training and experience is required. Registration as a Technician Engineer (T.Eng) would be an advantage.

Salary Scale: £11,413-£13,745 *

Applicants with BTEC ONC or equivalent and at least 4 years relevant training and experience are eligible for posts at the **ENGINEERING TECHNICIAN** level for which a structured training programme is provided.

Salary Scale: £8,149-£10,685 *

INTERESTED? Then for either post send for full details and application form to the address below, quoting Ref: T 6523/85

* Salaries quoted include special pay additions.

2599

NORTH LINCOLNSHIRE HEALTH AUTHORITY

ST GEORGE'S HOSPITAL

2 MEDICAL PHYSICS TECHNICIANS GRADE II/III

Required in the Department of Medical Physics and Computing Medical Equipment Unit, to join a team providing a comprehensive service to users of medical equipment throughout the district. The range of services provided include evaluation and acceptance testing of commercial equipment, development of new equipment and the maintenance of equipment.

Experience in the field of diagnostic imaging would be particularly relevant to one of the posts, whilst the other is more general although experience in audiometric calibration would be useful.

Applicants should hold an H.N.C. or equivalent and five years of relevant experience for Grade II. Applicants with less experience may be considered for a post at Grade III level. A current driving licence is essential. Salary: Grade II £8,073 - £10,070; Grade III £6,703 - £8,664

For further information please telephone Dr N Gravill, on Lincoln 29921 ext 7246.

Application forms are available from and should be returned to: The Personnel Department, St George's Hospital, Long Leys Road, LINCOLN LN1 1EF. Telephone: Lincoln 29921 ext 7184

Closing date: 7 March 1986

(150)



THE RECRUITMENT OFFICE, GCHQ, ROOM A/1108
OAKLEY, PRIORS ROAD, CHELTENHAM, GLOS GL52 5AJ
OR TELEPHONE (0242) 32912/3

Appointments

FREE OFFER!

Clip this advert for free career guidance and help in finding your next position. We have a wide selection of the best appointments in Digital, Analogue, RF, Microwave, Micro-processor, Computer, Data Comms and Medical Electronics, and we're here to serve *your* interests.

Call us now for posts in Design, Test, Sales or Field Service, at all levels from £6,000 -- £18,000.



11 Westbourne Grove, London W2 Tel: 01-229 9239. (1935)

ASSISTANT TO TECHNICAL LIAISON OFFICER

c.£10,500 Swindon, Wilts

Radio Rentals is a major name in today's High Street and a market leader in the television and video rental industry.

As part of the THORN EMI Home Electronics product group, we are constantly looking at ways of updating the technical quality of our existing product range as well as investigating the potential of new ventures in our industry where technological changes can happen virtually overnight and competition is fierce.

We are now seeking an enthusiastic all-rounder to assist the Technical Liaison Officer at our Head Office in Swindon in all aspects of electronic and mechanical engineering associated with Company products. The successful applicant will be involved in evaluating new products, new technology and technical field reports as well as the design of special equipment.

Ideally, we want someone who has a background in television and video rental and has a genuine interest in all aspects of electronics. Preferred qualifications are City & Guilds 222/224 including television and video endorsements or equivalent. In addition, you'll need to be adept at communicating both verbally and in writing and possess a current driving licence as some travelling may be involved.

If you have a natural flair for working with commercial electronic products, then we can offer you an attractive benefits package and the possibility of relocation expenses if appropriate.

Interested applicants should contact Miss Kay Gardner, Personnel Officer at the address or telephone number below for an application form.

Radio Rentals Limited
Relay House
Percy Street
Swindon
Wilts SN2 2BB
Tel: Swindon (0793) 21121

Radio Rentals

SENIOR DESIGN ENGINEER required to join a rapidly expanding electronics company researching and developing video and hi-fi products. A degree in electronic engineering and a minimum of five years experience in the field of analogue engineering is required. Experience with digital or audio design would be advantageous but not essential. The successful candidate should be self-motivated and able to work with the minimum of supervision within a small research laboratory developing high quality products. Since the company has divisions in the U.S.A. and the Far East there may be opportunities for travel. Salary will be negotiable but will be commensurate with this important position.

Please send CV to: Pat Kerridge, Technical Secretary/Administrator, NAD Electronics Ltd., Adastra House, 401-405, Nether Street, London, N3 1QG or telephone 349 4034 for further information.

(178)

RE EMC Engineers

ERA Technology is an independent research organisation with diverse interest in several advanced technologies.

The Company has an international reputation and considerable expertise in all areas of the radio spectrum from power frequencies to microwave.

Vacancies exist at various levels for suitably qualified engineers to undertake investigations of EMC problems in a wide range of civil and military applications as well as test engineers for work on interferences measurement and suppression in household appliances, avionics, computing equipment and motor vehicles.

Applicants should be qualified to degree or similar standard in physics, electrical or electronic engineering but applications are invited from engineers with lower qualifications and relevant rf experience.

A comprehensive remuneration package includes BUPA and considerable opportunity for personal advancement.

Contact the Personnel manager, quoting reference 34/75, ERA Technology Ltd., Cleeve Road, Leatherhead, Surrey (Tel: Leatherhead (0375) 375227).

(171)

ERA
TECHNOLOGY

ELECTRONICS TECHNICIAN

c.£16-£19,000 Saudi Arabia

ARAMCO, the world's largest oil company, seeks an Electronics Technician to work on a variety of radio and TV broadcast equipment. Applicants should be qualified to HND or, ideally, BSC degree level and have specialist technical training in communications, electronics, data processing or a related field. You must have five or more years' experience in the maintenance and repair to component level, of TV broadcast equipment, microprocessor-based devices or computers. Preference will be given to applicants having specific experience with colour television equipment which includes cameras, vision mixers and video

tape recorders.

In addition to salary and the usual tax advantages, this single-status appointment offers excellent benefits including regular UK leave with Company paid air fares, comprehensive medical care, low rental accommodation (fully-furnished and air-conditioned) and good sports and recreational facilities.

Please send full career details, quoting ref: **ELT/293**, to: Webb Whitley Associates Limited, International Recruitment Consultants, Castle Gate House, 8 Quarry Street, Guildford, Surrey GU1 3UY. Tel: 0483 575759. Telex: 859927.



ARAMCO



Webb Whitley Associates Ltd.

partners in progress

ENGINEERING OPPORTUNITIES NATIONWIDE

Salaries £8,000 to £30,000 p.a.

As the UK's leading specialist sales and technical recruitment consultancy, we provide a FREE service to engineers seeking a career move. If you have experience in Microprocessors (H/W or S/W), Digital or Analogue technologies, ideally with a recognised qualification, we have hundreds of vacancies throughout the UK in R & D, Design, Manufacturing, Test, Service and Sales. Call your nearest branch for more information

Bishop's Stortford (0279) 506464

Bristol (0272) 211035 Leeds (0532) 580510
 Bracknell (0344) 481808 Birmingham (021) 643 1994
 Milton Keynes (0908) 666872 Crawley (0293) 514071
 Manchester (061) 832 5856 London (01) 637 0781
 Edinburgh (031) 226 5381 Leicester (0533) 544193

or send a comprehensive C.V. (no stamp required) to:-

ata Engineering Recruitment
 A Division of ATA Selection and Management Services Ltd
 FREEPOST, Bishop's Stortford, Herts. CM23 2BR. (115)



THE START OF SOMETHING NEW

If you are leaving College and planning a career in modern communications or if your present job lacks interest and challenge why not join us in GCHQ?
 We are recruiting

RADIO OFFICERS

who are after initial training will become members of an organisation that is in the forefront of communications technology. Government Communications Headquarters can offer you a satisfying and rewarding career in the wide field of communications. Training involves a 32 week course (38 weeks if you come straight from Nautical College) which will fit you for appointment to RADIO OFFICER.

Not only will you find the work as an R O extremely interesting but there are also good prospects for promotion opportunities for overseas travel and a good salary. Add to this the security of working for an important Government Department and you could really have the start of something new.

The basic requirement for the job is 2 years radio operating experience or hold a PMG, MPT or MRGC or be about to obtain a MRGC. Registered disabled people are welcome to apply.

Salaries start at £4,988 at age 19 to £6,028 at age 25 and over during training and then £6,832 at 19 to £8,915 at 25 and over as a Radio Officer. Increments then follow annually to £12,328 inclusive of shift and weekend working allowances.

application form phone 0242 32912/3

or write to:



The Recruitment Office A/1108
 Priors Road
 CHELTENHAM
 Glos GL52 5AJ (2806)



CAPITAL APPOINTMENTS LTD

THE UK's No. 1 ELECTRONICS AGENCY

If you have HNC/TEC or higher qualifications and are looking for a job in design, test, customer service, technical sales or similar fields:

Telephone now for our free jobs list
 We have vacancies in all areas of the UK
 Salaries to £15,000 pa

01 808 3050
 (24 hours)

CAPITAL APPOINTMENTS LTD
 76 WILLOUGHBY LANE, LONDON N17 0SF

(291)

ELECTRONICS ENGINEER

A U.S. Embassy Component in the Reading area has a vacancy for an Electronics Engineer. Applicants must have formal qualifications in electronic engineering with a thorough knowledge of digital theory and practice. Preferably the applicant will have had some computer experience. Starting salary £10,025 per annum. Send resumé and home telephone number to: Personnel Officer, American Embassy, Grosvenor Square, London W1A 1AE, for review and arrangement of interview.

CLIVEDEN

- 1. ELECTRONICS SERVICE**
 Z80/Z8000 based information systems. Some overseas travel. To £10,000 plus car. Berks.
- 2. DEVELOPMENT ENGINEER**
 Service and repair of Z80, 8502 and 8085 based fuel injection systems. Some low level design involved. c. £10,500. Somerset.
- 3. COMMISSIONING ENGINEER**
 Repair/installation of process control equipment. £8,500. West Sussex.
- 4. WORKSHOP SUPERVISOR**
 Supervise and schedule repair of IBM PC systems in fast moving service environment. £11,000. Berks.
- 5. ELECTRO-MECH DRAUGHTER**
 To set up and run a drawing office. Responsible for generating schematics and PCB's. To £16,000. Berks.
- 6. BENCH ENGINEER**
 Repair of microprocessor based TV systems. c.£8,500. Berks.
- 7. RF DESIGNER**
 Design and development of paging systems. £16,000. Hants.

Hundreds of other Electronic and Computer vacancies to £15,000

Phone or write:

Roger Howard C.Eng. M.I.E.E. M.I.E.R.E.
CLIVEDEN RECRUITMENT
 92 Broadway, Bracknell, Berkshire RG12 1AR
 Tel: 0344 489489 (2598)

ROYAL COLLEGE OF ART

DEPARTMENT OF ENVIRONMENTAL MEDIA

A temporary full-time TECHNICIAN

is required until 31st July 1986.

Familiarity with the use of U matic format video, National Panasonic Editing facilities, sound recording and 8mm and 16mm film projection is essential.

Salary on Grade VI of the Technician Scale £9310 — £10854 per annum inclusive of London Weighting.

Applications by full C.V. to the Deputy Registrar, Royal College of Art, Kensington Gore, London, SW7 2EU.

Telephone 01-584 5020. (167)

"AMERICAN BROADCASTING

COMPANY ENGINEERS ABC has vacancies in its Engineering Department. Applicants should have a sound working knowledge and have maintenance and operational experience of U-matic VTR's along with all forms of broadcast tv equipment. Successful applicants can expect to work in our West End studio centre providing engineering support to our European operations and our daily inhouse operations. Shift work in addition to irregular hours and some overseas travel can be expected. Pension scheme and BUPA. Salary £16,000 +-. Applications to Graham Hadden, Senior Technical Manager, ABC 8 Carburton Street, London W1P 7DT. (105)

Appointments

**HIGHLAND HEALTH BOARD
DEPARTMENT OF MEDICAL PHYSICS AND
BIO-ENGINEERING
RAIGMORE HOSPITAL
INVERNESS**

**Medical Physics Technician II/III
Electromedical Equipment Service (E.E.S.)**

This post is primarily concerned with the care of equipment used in RENAL DIALYSIS. There will also be some involvement in the more general work of the E.E.S. Experience with Dialysis Equipment, though desirable is not essential, but applicants must be able to demonstrate a sound knowledge of, and experience with, electronic instrumentation.

Salary is: Grade II £8,073 - 10,070
Grade III £6,703 - 8,664

Job details and application form can be obtained from Area Personnel Officer, Highland Health Board, 17 Old Edinburgh Road, Inverness: Telephone (0463) 239851.

For additional information and informal discussion, contact Mr A R Bowley, Deputy Director: Telephone (0463) 234151, Ext 276/7. (158)

Electronics Research at the UNIVERSITY OF ESSEX

Graduates who have (or final year students who expect to obtain) a first or upper second class honours degree are invited to apply for research leading to a higher degree (M.Sc., M.Phil. or Ph.D.) in the following areas:

**Acoustic Noise and Vibration Cancellation
Audio Engineering
Computer Systems Modelling and Performance
Engineering
Computer and Information Systems —
Information Systems
Man-Machine Interaction
Computer-Aided Design
Digital Transmissions
Display Systems
Image Processing
Optical Communications
Radio and Satellite Systems**

Further information and application form available from: Dr. G.J. Ritchie, Chairman, Department of Electronic Systems Engineering (*VW), University of Essex, Wivenhoe Park Colchester C04 3SQ

IMPERIAL COLLEGE OF SCIENCE
AND TECHNOLOGY

**Department of
Electrical Engineering
Electronics Workshop
Supervisor
(£10,615 - £11,755 inc.)**

Required to supervise the electronics workshop which provides manufacturing and maintenance support to the department's teaching and research projects.

Applicants must be formally qualified, HNC, HND or equivalent with relevant experience, particularly in digital electronics. Supervisory experience is desirable. Excellent terms of service including superannuation scheme.

Apply in writing with curriculum vitae and the names of two referees to:
Departmental Superintendent,
Dept. of Electrical Engineering,
Imperial College, London SW7
2BT. Closing Date 5 March 1986. (177)

**AERONAUTICAL TRAINING
CENTRE, DHAHRAN
INTERNATIONAL AIRPORT**

Instructor Positions Available
for Immediate Hire

University degree, HNC, C & G Full Certificate or equivalent academic/technical qualifications. Applicants with military qualifications (articifier, foremen of signals or chief tech.) will also be considered. The positions available are open to suitably qualified instructors with extensive classroom experience in teaching mathematics and electronics up to the City and Guilds T2 level (271 Telecommunications Tech. Course).

* Prior experience in Saudi Arabia preferred.

* Competitive base salary plus annual bonus.

* 30 days vacation plus holidays, airfare twice yearly, monthly food allowance, medical coverage, furnished housing.

Contact (telephone only):

**David H. Hooks
Senior Electronics Instructor
Saudi Services and
Operating Company, Ltd.
Dhahran Airport — Saudi Arabia
Telephone:
Country code 966) 3-879 2323 (184)**

**VIDEO
ENGINEERING
CO-OPERATIVE**

seeks experienced Video Engineer for maintenance, installation, consultation and training in the independent and commercial sectors.

Please send C.V. to:
V.E.T. Limited, Unit 15,
Tower Workshop,
Riley Road, London, SE1.
Tel: 01-237 6565.

**KINGSTON & ESHER
HEALTH AUTHORITY
Kingston Hospital
Acute/Community Work
Dept.**

**Electronics
Technician
(Grade 4) (Ref PTB 35)**

The postholder will assist with the servicing, maintenance, development and calibration of medical equipment. Duties are varied and involve the latest equipment and techniques. Training will be given to the appointee. Candidates should have at least 3 years experience in electronic servicing, and hold TEC (Electronics) or equivalent.

Salary Scale: £6,301 - £8,079 plus on-call allowance.

For further information please contact Mr N A Curry on 01 546 7711, Ext 215.

Application form and job description available from the Personnel Department, Kingston Hospital, Galsworthy Road, Kingston upon Thames, Surrey. Tel. 01 541 1862 (24 hour Answerphone) (Please state name of post and quote appropriate reference number.)

Closing Date: 18th March 1986 (170)

**OXFORDSHIRE HEALTH AUTHORITY
THE CHURCHILL HOSPITAL**

Radiotherapy Workshop, Dept.
of Radiotherapy & Oncology

**Electronics Technician —
salary £5653 - £8,653
(depending on qualifications)** required to join a small team responsible for the maintenance and development of a wide range of Radiotherapy equipment including a Linear Accelerator. Minimum qualification required — ONC/TEC.

Further information from Mr. D. Easton, Chief Technician, Oxford 64841 Ext. 628.

Application form and job description from the Personnel officer, Churchill Hospital, Oxford 64841 Ext. 228 (157)

SERVICE ENGINEER

P.T.S. and it's associated, companies specialise in the distribution and manufacture of high technology production systems for the slide animation industry. The company holds exclusive distribution agreements for several U.S. firms to market and support their products in the U.K. and Europe. The role of the service engineer will be to provide customer support as required both in the field and in our workshops.

Much of the work will involve trouble shooting electronic systems (analogue and digital) and providing reliable and efficient solutions to the problems.

Qualifications — a recognised qualification in electronics/electrical engineering with some elements of mechanical design. A clean driving licence is essential.

Salary — salary is dependent on experience, but will be in the range of 7-9,000 Basic. In addition the position pays overtime as appropriate.

Contact: P.T.S. on 01-743-7679 — Mis Forbes. London W6. (176)

**UNIVERSITY COLLEGE
LONDON
BARTLETT SCHOOL
OF ARCHITECTURE
AND PLANNING
ELECTRICAL/
ACOUSTICS
TECHNICIAN**

Applications are invited for the post of electrical/electronic/Acoustics technician. Duties include the supervision of the School's acoustics laboratories and other general laboratory duties.

Appointment on the Technician Grade 4 scale £6427 - £7393 + £1365 LA. applications should be made in writing, enclosing a c.v. together with the names of two referees to: MR D. Phillips, Administrative Secretary, Bartlett School of Architecture & Planning, Wates House, 22 Gordon Street, London WC1H 0QB, Tel: 01-387 7050 ext: 505, from whom further particulars may be obtained. Closing date: 31 March 1986. (177)

**for your classified
adverts ring
01 661 3033**

Computer Appreciation

111 Northgate, Canterbury, Kent, CT1 1BH
Tel: Canterbury (0227) 470512. Telex: 966134 COMPAP

MATMOS PC. Z80 based 64k machine with twin 5 1/4" half height TEAC disc drives, serial & parallel interfaces etc. (See other ad. for further details BRAND NEW, with 6 months full guarantee.....)	£199.00
AS ABOVE, but with single 320k disc drive.....	£136.00
TRIUMPH ADLER Model TRD 7020 daisy wheel printer. 20 cps, serial or parallel interfaces. With self test etc. BRAND NEW	£295.00
ZENITH Green screen monitor. Model 1230. Brand new.....	£89.00
UNITRON Model 2200 APPLE compatible computer with 64k, lower case, additional Z80 processor (APPLE CP/M compatible), & floppy disc controller. BRAND NEW.....	£150.00
APPLE IIe Computer music system, with APPLE monitor, twin APPLE disc drives, PROFILE hard disc drive, serial interface, ALPHA SYNTHAURI music system including 5 octave keyboard & extensive software including PRODOS, as new. £1,750.00	
DEC Model BALLFILL box, power supply & 8 slot back plane for Q-bus. BRAND NEW.....	£350.00
ADAC Model 1822 128k MOS memory for DEC Q-bus. Dual width, battery back-up.....	£50.00
DEC MSV11-DD 64k memory for Q-bus. Untested.....	£850.00
DEC NCV11-A GAMMA CAMERA interface for Q-bus.....	£150.00
GTSC Model 304B. Equivalent to DLV11-J.....	£75.00
INTEL Model ICE 858 in circuit emulator for MDS. Head only for 8085.....	£350.00
INTEL Model UPP103 UNIVERSAL EPROM PROGRAMMER for MDS with personality modules for 2718, 2764 & 8748.....	£850.00
INTEL Model MDS 741R 10mb hard disc drive (CDC HAWK) for MDS. Without controller.....	£850.00
CDC MMD disc drive Model BZ9A1B 160mb fixed disc drive with SMD interface for DEC etc. Manufactured in 1983 & currently listed at £9,000.00.....	£850.00
MiniScribe III Model 3012 WINCHESTER hard disc 15 1/4" half height, 10mb, attractively cased together with SHUGART Model SA455 floppy disc drive (IH, DS), & WESTERN DIGITAL Model WD1002-05 controller. Complete with all power supplies & manual for the hard disc unit. BRAND NEW.....	£350.00

TEKTRONIX Model 4051 GRAPHICS desktop computer system with TEKTRONIX storage display (1024 x 780), BASIC graphics & I/O commands, cartridge tape drive, serial interface (Opt. OI), & IEEE488 GPIB interface.....	£775.00
RICOH Model GP15 GRAPH PLOTTER. Compact high speed 3 pen incremental desk top unit with extensive repertoire of character sizes & pre-programmed plotting functions. 0.1mm step size. RS232 interface with self test. Roll fed 15" chart. BRAND NEW.....	£396.00
RICOH Model GP1 GRAPH PLOTTER. Similar to above, but with 11" paper roll, & single pen. BRAND NEW.....	£146.00
NANOTECH Model SEMPREP 2 sputter coater. With EDWARDS pump.....	£975.00
CALCOMP Model 563 AO drum plotter. Step size 0.1mm. (This plotter has stepper motor drivers only, but could probably be combined with the electronics of a GP11 to provide a very low cost intelligent AO plotter).....	£425.00
ITT Model 3500/3510 FACSIMILE machine. Group II compatible, with selectable 2 or 3 minutes transmit time for A4 page. BT approved.....	£199.00
FACIT Model 4070 high speed paper tape punch. 75cps, TTL interface.....	£196.00
HEWLETT PACKARD Model 5501A Helium-Neon LASER. Metrological laser with Zeeman split beam & piezoelectric tuning. With 2 x 10557A mirror & 2 x Model 10780 receiver. Manuals included.....	£2,750.00
COHERENT Model 273 Helium-Neon laser. 4mW output & with Model 304 opto-acoustic modulator. BRAND NEW.....	£650.00
BIOMATION Model 810-D digital logic recorder with Model 8-T trigger select.....	£150.00
PETREC Model T7640 synchronous read after write tape transport. 25 ips, 9-track, PE, 1600 bpi.....	£350.00
PERTEC Model F649 Phase Encoded Tape Formatter.....	£350.00
HEWLETT PACKARD Model 1600S logic analyser.....	£295.00
BRYANS Model 45000 UV recorder with 6 amplifiers Type 40501 in rack.....	£750.00
FAIRCHILD Model CCD 1300-01 line scan CCD camera system with control unit.....	£450.00

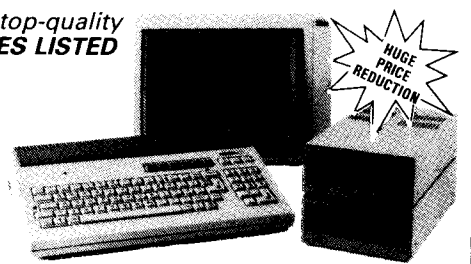
Please Note: * VAT & carriage extra for all items
* Visitors by appointment, please

CIRCLE 89 FOR FURTHER DETAILS.

ALL-TIME CP/M MICROCOMPUTER SYSTEM BARGAIN!

Fantastic bulk purchase of a major European manufacturer's entire stock of this top-quality machine enables us to retail it at far below its manufacturing cost. ALL FEATURES LISTED are INCLUDED as STANDARD:

- COMPLETE with EITHER single or double (as illustrated) TEAC half-height 5 1/4" double-sided, double-density floppy disc drives. Formatted capacity: 320Kb per drive.
- 4 MHz Z80A CPU
- 64Kb RAM (in 4164 chips)
- 28Kb EPROM containing monitor & MICROSOFT BASIC
- CP/M Version 2.2
- 80 x 24 display with colour block-mode graphics
- Exceptionally high quality styled keyboard with numeric keypad & 6 function keys
- Centronics parallel interface
- RS232/V24 serial interface selectable 300-9600 Baud
- UHF Modulator for TV, RGB & composite video output
- ROM port. (A Word-Processor ROM is available at £59 + VAT)
- 6 month full guarantee



PRICES (monitor £69 + VAT):
With DUAL floppy: £199.00 (£228.85 incl. VAT)
With SINGLE floppy: £135.00 (£155.25 incl. VAT)
Carriage: £9.50 (incl. VAT) Visa & Access accepted

Available ONLY from: **COMPUTER APPRECIATION**, 111 Northgate, Canterbury, Kent CT1 1BH. (0227) 470512
MATMOS Ltd., 1 Church Street, Cuckfield, W. Sussex RH17 5JZ. (0444) 414484 454377 (0444) 73830

(2492)



CIRCLE 59 FOR FURTHER DETAILS.

Wireless World

INDEX TO ADVERTISERS

Appointments Vacant Advertisements appear on pages 89-95

PAGE	PAGE	PAGE	PAGE
ABI Electronics Ltd.....54	Co-Star Ltd.....49	Henson, R. Ltd.....83	Radiocode Clocks Ltd.....2
Adcola Ltd.....13	Crossware Products.....83	Hilomast Ltd.....42	Raedek Electronics.....44
Adenmore Ltd.....4	Cybernetic Applications.....5	Imhof Express.....5	Ralfe Electronics.....70
Advertising Standards		Institute of Electrical Engineers..37	Research Communication.....10
Authority.....84	Dataman Design.....69	Johns Radio.....88	RSD Connections.....12
AEL Crystals.....16	Design Consultancy.....38	Kestral Electronic Components...4	Sarel.....42
Airlink Transformers Ltd.....42	Display Electronics.....86/87	Langrex Supplies Ltd.....75	Samson Electronics.....82
Antex (Electronics) Ltd.....50	DS Electronics.....88	Levell Electronics Ltd.....3	Seasim Controls.....12
Armon Electronics.....44	Electronic Brokers.....IFC, 9, 11	Linear Graphics.....37	Sherwood Data Systems.....79
Barrie Electronics Ltd.....81	Electrovalue Ltd.....79	Map 80 Systems Ltd.....4	Sowter, E.A. Ltd.....50
Beckenham Peripherals.....12	Ellmax Electronics.....5	Marco Trading.....88	Stewart of Reading.....85
Black Star Ltd.....76	EMS Mfg. Ltd.....16	Measurement Devices.....51	Strumech Engineering.....81
CadCam 86.....84	Essex Electronics.....51	Micromake Electronics.....79	Surrey Electronics Ltd.....54
Cambridge Kits.....54	Field Electric Ltd.....2	Microwrite Engineering.....50	Taylor Bros (Oldham).....83
Cambridge Microprocessor	Flight Electronics Ltd.....OBC	Micromake Electronics.....79	Technomatic Ltd.....14/15
Systems.....43	Fluke (GB) Ltd.....54	Microscribe.....82	Tektronix (UK) Ltd.....IBC
Caracal Power Products.....13	Fulcrum (Europe) Ltd.....42	Monolith Electronics.....44	Television Magazine.....88
Carston Electronics.....4	Gould.....16	Network Services.....76	Thandar Electronics.....43
Cavendish Automation.....82	Hameg.....81	Number One Systems.....37	Thurby Electronics.....80
Communications 86.....55	Happy Memories.....70	Pineapple Software.....10	TIC Semiconductors.....76
Computer Appreciation.....96	Harris Electronics (London).....83	PM Components.....56/57	Timebase.....51
Computer Source.....76	Harrison Electronics.....12		TK Electronics.....10
Conguin Software.....38	Hart Electronics Kits Ltd.....85		Triangle Digital Systems.....2,70
Connexions Satellite Systems.....85			
Control Telemetry of London.....13			

OVERSEAS ADVERTISEMENT AGENTS

France and Belgium: Pierre Mussard, 18 — 20 Place de la Madeleine, Paris 75008.

United States of America: Jay Feinman, Business Press International Ltd, 205 East 42nd Street, New York, NY 10017 — Telephone (212) 867-2080 — Telex: 23827.

Printed in Great Britain by Ben Johnson Printers Ltd., Oldhill, Dunstable, and typeset by TypeFast Ltd., 2-6 Northburgh St., London EC1, for the proprietors, Business Press International, Quadrant House, The Quadrant, Sutton, Surrey SM2 5AS.
© Business Press International 1986. Wireless World can be obtained from the following: AUSTRALIA and NEW ZEALAND: Gordon & Gotch Ltd. INDIA: A.H. Wheeler & Co. CANADA: The Wm. Dawson Subscription Service Ltd., Gordon & Gotch Ltd. SOUTH AFRICA: Central News Agency Ltd; William Dawson & Sons (S.A.) Ltd. UNITED STATES: Eastern News Distribution Inc., 14th Floor, 111 Eighth Avenue, New York, N.Y. 10011.

**Now! Tek quality
and expert advice
are just a free
phone call away...**



Our National Order Desk line gets you fast delivery of the industry's leading value/performance portables...and technical advice from experts!

The 60MHz 2213A, 2215A and the 100MHz 2235 and 2236 offer unprecedented reliability and affordability, plus the industry's first 3 year warranty on labour and parts, CRT included.

All 2200 series scopes have the bandwidth for digital circuits and sensitivity for low signal analogue measurement. The sweep speeds for fast logic families, and delayed sweep for fast, accurate timing measurement. The top of the range 2236 combines a counter/timer/DMM with the scope to provide fast, easy measurements for voltage, resistance and temperature.

These UK manufactured 'scopes are obtainable through the National Order Desk. Call us to order or obtain literature, or to talk to our expert on 'scope applications.



**...talk
to Pete**

**Dial 100 and ask for
Freefone Tek-scope**

Tektronix UK Ltd
Fourth Avenue, Globe Park,
Marlow, Bucks SL7 1YD
Tel: (06284) 6000
Telex: 847277 & 847378

The Company reserves the right to modify designs, specifications and change prices without notice.

Tektronix
COMMITTED TO EXCELLENCE

CIRCLE 2 FOR FURTHER DETAILS.

The NEW 16-Bit IBM MPF-1/88

8088 based system

- Very low cost
- Suitable as an educational or development package
- Suitable as an IBM PC Target System
- Usable as a low cost powerful 16-Bit controller
- Uses Intel 8088 Microprocessor
- Highly versatile and expandable
- Complete with comprehensive user manuals and firmware listings

The 8088 Microprocessor

The Microprocessor MPF-1/88 microprocessor learning system, teaches you how a 16-bit microprocessor works. Not just any microprocessor, but the Intel 8088 — the same microprocessor that powers the IBM PC and other popular 16-bit computers, now widely recognised as an industry standard for 16-bit processing.

The MPF-1/88 is a complete learning system with everything you need to grasp the fundamentals of computer and 16-bit microprocessor operation. The MPF-1/88's special design allows you to open the case to examine the system components.

The hardware is designed to be both understandable and expandable. To this end all components used are standard 'off the shelf' parts, rather than the 'black box' approach using highly specialised or custom-made chips.

The firmware is completely transparent to the user.

Comprehensive Documentation

Three informative manuals are included with the MPF-1/88. Their contents range from an introduction for beginners, all the way to complete technical specifications on all aspects of the hardware and firmware. The documentation is simple enough for those just beginning and complete enough to allow the MPF-1/88 to be used to its maximum potential.

The optional **Tutorial manual** takes you step by step through a hands-on tutorial on all aspects of the MPF-1/88 and the 8088 microprocessor.

Designed For Expansion

The card edge connector at the rear of the MPF-1/88 allows access to all system buses. Through the interface module the user may expand the system to include any combination of IBM style cards or MPF peripherals.

MPF-1/88: What the reviewers say:

"The system documentation is very good indeed"
"If you teach or want to learn about the 8088 then the MPF-1/88 is a good choice of hardware"

Electronics & Computing Monthly — August, 1985

"All-in-all the MPF-1/88 can be highly recommended invaluable to those wishing to take their first steps in programming the 8088, 8088"

Everyday Electronics — August, 1985

"The manuals were a model of clarity and comprehensiveness"

"The MPF-1/88 will give you every opportunity to learn what the thing can do"

Electronics Today International — July, 1985

The Technical Director of the Polytechnic Central London Microcomputer Unit says

"The MPF-1/88 is one of the best, if not the best training microcomputer I have come across. The hardware is good, the firmware is good and the documentation is excellent"

Neal Hutchinson — Unif's Technical Director

£295.00

+ Postage/Packing and VAT (£346 03)



Send today for the colour brochure giving full information on the Education division's complete range of products.

FLIGHT ELECTRONICS LTD

Flight House, Ascupart Street, Southampton SO1 1LU Telephone: (0703) 227721 (6 lines), Telex 477389 FLIGHT G.
Also available from BICC Verospeed plc, Stansted Road, Boyatt Wood, Eastleigh, Hants SO5 4ZY Telephone (0703) 641111.
CIRCLE 3 FOR FURTHER DETAILS.